

PHOTOELECTRIC BEAM SENSOR

(INTELLIGENT TWIN SERIES)



PB-20TE : Outdoor 66ft.(20m)/Indoor 135ft.(40m)

PB-40TE : Outdoor 135ft.(40m)/Indoor 270ft.(80m)

PB-60TE : Outdoor 200ft.(60m)/Indoor 400ft.(120m)



Pole mount

Utility model registered : 3
Trade mark registered : 1
Design pending : 1

The TAKEX intelligent "TWIN" photoelectric beam is designed to meet the highest standards of quality and reliability for photoelectric beam intrusion detection. Unique twin beams are synchronized to work together to reinforce the range and stability in severe weather conditions. The "intelligence" comes from having 4 different selectable frequencies which allow the stacking of beam sets to create a "Wall of Light". The system has a rotary optical system for easy installation and the special lens design aids in proper alignment.

SELECTABLE FREQUENCY

Includes 4 separate selectable frequencies which can stack up without crosstalk for high security applications.

HIGH RELIABILITY

Synchronized twin beams reduce false alarms caused by flying birds and falling leaves.

The outdoor maximum arrival distance is 10 times longer than the operating distance, which allows for reliable operation in poor weather conditions.

EXTERNAL LIGHT PROTECTION

Trouble-free condition in 50,000 lux illumination fluctuation is assured by external light compensation circuit a filter, specially designed, that cuts visible rays effectively. Excellent tolerance against sun light, automobile head light, fluorescent light or mercury light.

EASY BEAM ALIGNMENT

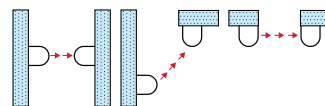
The special view finder allows for fast aiming and assures good alignment. Equipped with monitor jack to check sensitivity.

ROTARY OPTICAL SYSTEM

The optical system of both the transmitter and receiver can be

rotated a full 180° which allows for side aiming.

Therefore the units do not have to be mounted face to face and the beam direction can not be discerned by simple observation.



INSECT PROTECTION

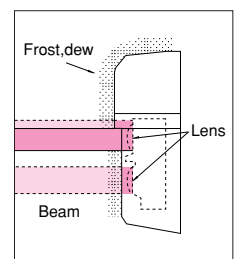
A sealed optical system prevents intrusion and interference by insects.

OTHER FEATURES

- * Automatic Gain Control circuit loaded
- * Wide adjustment (horizontally ± 90°, vertically ± 10°)
- * Pole mounting kit included

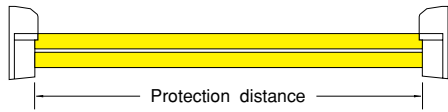
PROTECTION AGAINST FROST/DEW

As a special hood is attached on sensor cover, beam protection continues without interruption even when the cover is screened by frost or dew.



PHOTOELECTRIC BEAM SENSOR

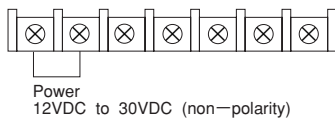
■ COVERAGE



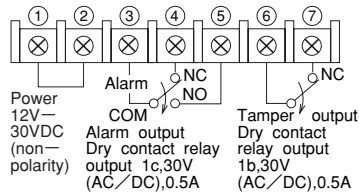
PB-20TE Outdoor	66' (20m)
Indoor	135' (40m)
PB-40TE Outdoor	135' (40m)
Indoor	270' (80m)
PB-60TE Outdoor	200' (60m)
Indoor	200' (120m)

■ TERMINAL ARRANGEMENT

[Transmitter]



[Receiver]



■ OPTIONAL

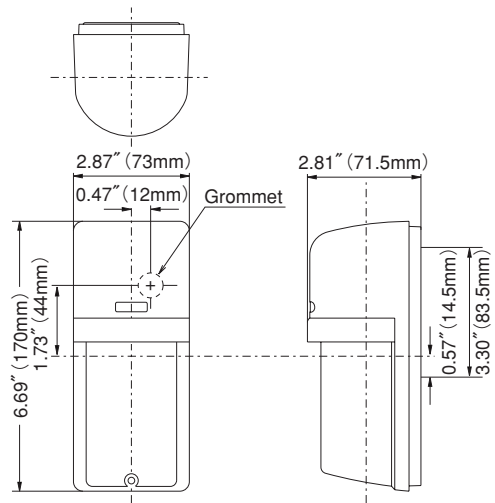
- Pole
KP-100 (100cm, 2pcs./set)
KP-150 (150cm, 2pcs./set)
- Housing case
KH-120



- Pole cover (2pcs./set)
BP-60TE
(pole cap, screw included)



■ EXTERNAL DIMENSIONS



■ SPECIFICATIONS

Model	PB-20TE	PB-40TE	PB-60TE
Detection system	Simultaneous breaking of 2 beams		
Infrared beam	LED pulsed beam Double modulation		
Protection distance	Outdoor 66' (20m) or less Indoor 135' (40m) or less	Outdoor 135' (40m) or less Indoor 270' (80m) or less	Outdoor 200' (60m) or less Indoor 400' (120m) or less
Max. beam range	Outdoor 660' (200m) Indoor 660' (200m)	Outdoor 1350' (400m) Indoor 1350' (400m)	Outdoor 2000' (600m) Indoor 2000' (600m)
Response time	50msec. to 700msec. (Variable at pot)		
Supply voltage	12V to 30VDC (Non-polarity)		
Current consumption	55mA or less	75mA or less	80mA or less
Alarm output	Dry contact relay output form C Contact action : Interruption time + delay time (1 to 3sec.) Contact capacity : 30V (AC/DC) 0.5A or less		
Tamper output	Dry contact relay 1b (N/C) Action : Activated when cover is detached Contact capacity : 30V (AC/DC) 0.5A or less		
Alarm LED	Red LED (Receiver) ON : when an alarm is initiated.		
Attenuation LED	Red LED (Receiver) ON : when beam is attenuated.		
Functions	Beam frequency changeover (4ch.), Monitor jack output, AGC circuit, Frost proof cover		
Ambient temperature range	-13°F to +140°F (-25°C to +60°C)		
Mounting positions	Indoor/Outdoor		
Wiring	Terminals		
Weight	Transmitter : 13.3oz(380g) Receiver : 14.0oz(400g)		
Appearance	PC resin(wine red)		

The specifications are subject to change without notice.

Please Note : This sensor is designed to detect intrusion and to initiate an alarm; it is not a burglary or a crime preventing device. TAKEX is not responsible for damage, injury or losses caused by accident, theft, Acts of God (including inductive surge by lighting), abuse, misuse, abnormal usage, faulty installation or improper maintenance.

TAKEX

In Japan

Takenaka Engineering Co., Ltd.
83-1, Gojo-sotokan,
Higashino, Yamashina-ku,
Kyoto 607-8156, Japan
Tel : 81-75-501-6651
Fax : 81-75-593-3816
<http://www.takex-eng.co.jp>

In the U.S.

Takex America Inc.
1330, Orleans Drive
Sunnyvale,
CA 94086, U.S.A.
Tel : 408-747-0100
Fax : 408-734-1100
<http://www.takex.com>

In Australia

Takex America Inc.
Unit 16/35 Garden Road,
Clayton 3168 Victoria,
Australia
Tel : 03-9546-0533
Fax : 03-9547-9450

Takex America Inc.
Brisbane office : 1/50 Logan
Road, Woolloongabba
Queensland
4102, Australia
Tel : 07-3891-3344
Fax : 07-3891-3355

In the U.K.

Takex Europe Ltd.
Takex House, Aviary Court,
Wade Road, Basingstoke,
Hampshire, RG24 8PE, U.K.
Tel : (+44) 01256-475555
Fax : (+44) 01256-466268
<http://www.takexeurope.com>