



800 SERIES

10-20 ZONE CALL CONTROLLER

Bring your conventional call systems into the 21st Century with C-TEC's new range of 10 and 20 Zone Call Controllers.

Designed as a direct replacement for our long-standing 'Nursecall 800' standard and emergency master panels, flush and surface versions of the Controller are available.

Housed in a durable plastic enclosure measuring just 210mm wide and 175mm high, the Controller brings some exciting new features to our popular 800 Series call system range (see right).

10 and 20 way expansion units are also available allowing systems of up to 30 or 40 zones to be easily implemented.



- Attractive compact design - blends perfectly into any sort of decor
- Flush and surface mount versions available
- Range includes two master controllers (10 & 20 zones) and two expander units (10 & 20 zones) allowing systems of 10, 20, 30 or 40 zones to be easily implemented
- Two call levels - standard (constant tone) and emergency (intermittent tone)
- New 'Call accept' function allows staff to send a call acknowledgment signal of half a second on and three seconds off to calling zones to confirm help is on the way (this will cause the LED indicators and buzzers on any NC809DBB reset points c/w sounders, NC806C overdoor lights and NC806CS overdoor lights c/w sounders to pulse)
- Optional call mute and call reset buttons
- Includes an onboard 12V 300mA PSU and two volt-free relay contacts which activate when a standard or emergency call is made
- Innovative slide-in labelling system allows easy customisation
- Additional master controllers and expansion units can be used as repeaters on larger sites
- Compatible with C-TEC's entire range of 800 Series call system components comprising ceiling pulls, wall-mounting call points, overdoor lights, door monitoring points, infrared ceiling receivers, call latch modules and more
- Should a standby battery supply be required, an optional 12V 2A EN54-4 compliant boxed PSU is available with space for a 12V 7.0Ah battery
- Completely backwards compatible - allows call accept functionality to be added to many existing 800 Series systems by changing the control panel (subject to wiring/cores available - zones with emergency devices may require 4 cores instead of 3)
- Ideal for disabled persons toilet alarms, emergency assistance alarms, panic attack systems, interview room call systems and more

C-TEC's new range of 10 and 20 Zone Call Controllers are compatible with all 800 Series call points, ceiling pulls, infrared ceiling receivers, monitoring points, overdoor lights and remote sounders. Depending on how the Controller is configured and the devices connected to it, both Standard and Emergency calls can be indicated via its buzzer and zonal LEDs. Two buttons (A and B) are also provided to allow the user to Reset, Mute or Accept standard calls, as detailed below.



Operation

STANDARD CALLS: when triggered by a calling device, the Controller's internal buzzer sounds continuously and the relevant zone indicator(s) illuminate steady.

Pressing the Controller's Reset Button (A), if enabled, cancels all standard calls.

Pressing the Controller's Mute Button (B), if enabled, silences the Controller's internal buzzer. However, if a new call (standard or emergency) is triggered anywhere on the system, the buzzer will resound.

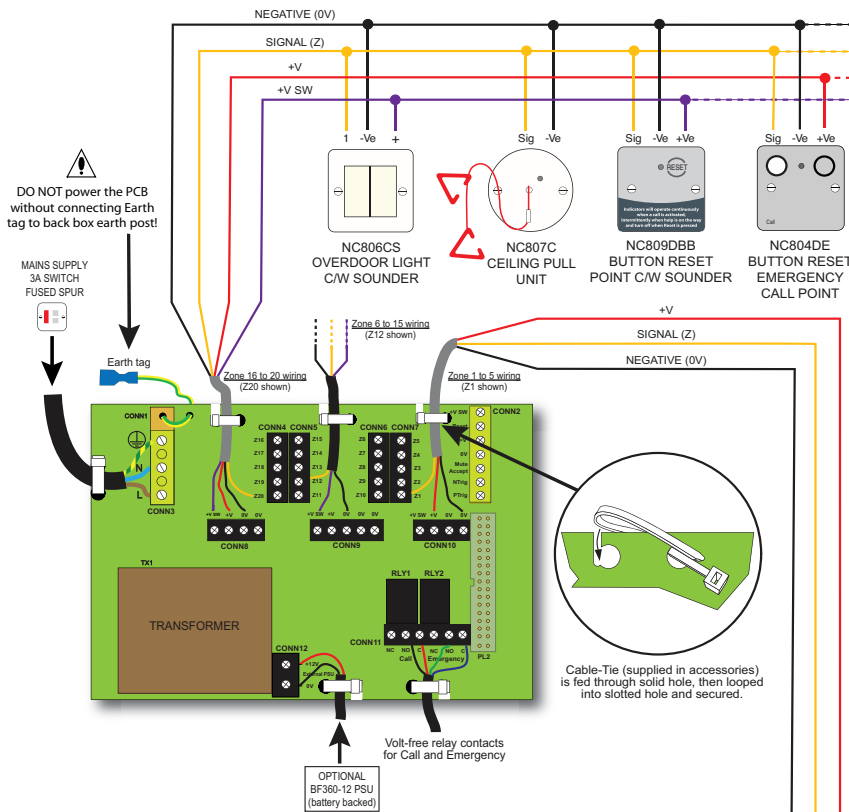
Alternatively, instead of muting calls, Button (B) can be configured as a CALL ACCEPT button.

Pressing Call Accept sends a slow pulsing acknowledgement signal to overdoor lights and reset points c/w sounders provided they are wired as shown on the example wiring diagram below. Should a new call (standard or emergency) be triggered anywhere on the system, any zones in the acknowledgement state will revert to a standard call.

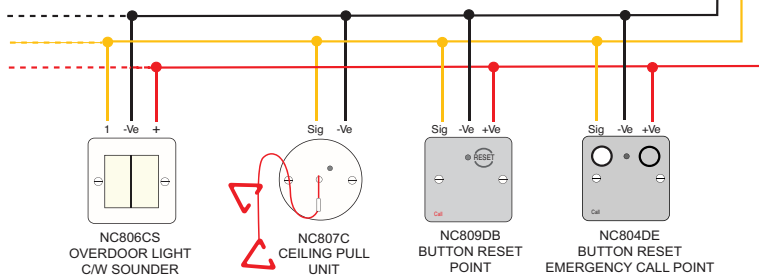
EMERGENCY CALLS: when triggered by a calling device, the Controller's internal buzzer pulses on and off and the relevant zone indicator(s) flash. This level of call takes priority over standard calls and cannot be muted, accepted or reset at the Controller. An emergency call can only be reset at the device from which it was triggered or via a reset point, wired on the same zone.

Example wiring

EXAMPLE WIRING FOR ZONES REQUIRING CALL ACCEPT FUNCTION USING +V SW



EXAMPLE WIRING FOR ZONES NOT REQUIRING CALL ACCEPT FUNCTION



Notes:

Zone wiring shown above is for Disabled Persons Toilet Alarms with the addition of an Emergency Call Point. Emergency Call Points or IR Call Points are connected to +V and not +V SW. Additional devices are available that can be mixed and matched to suit virtually any application.

Part numbers

NC910F
10 Zone Call Controller
(flush version)
£185.00 trade

NC910S
10 Zone Call Controller
(surface version)
£190.00 trade

NC920F
20 Zone Call Controller
(flush version)
£250.00 trade

NC920S
20 Zone Call Controller
(surface version)
£255.00 trade

NC910EF
10 Zone Expansion Unit
(flush version)
£150.00 trade

NC910ES
10 Zone Expansion Unit
(surface version)
£155.00 trade

NC920EF
20 Zone Expansion Unit
(flush version)
£180.00 trade

NC920ES
20 Zone Expansion Unit
(surface version)
£185.00 trade

BF360-12
12V 2A Boxed EN54-4 PSU
(flush/surface mounting)
£138.08 trade