

## TWINFLEX® PRO 4 & 8 ZONE CONTROL PANELS

### DESCRIPTION

The TwinflexPro 4 and 8 zone panels are intelligent '2-wire' panels that utilise a conventional type cabling format. The system is classed as 'Analogue non-addressable' due to the architecture used within the design. The devices communicate with the control panel using the 'Twinflex' data protocol. The Twinflex 4 & 8 zone panels provide 4 or 8 Twinflex circuits capable of running up to 32 devices per circuit. The Twinflex zone is able to recognise and separately identify between smoke detector and a manual call point alarm. The panel also monitors each zone for detector head removal, device fault, 'End of line' fault and open or short circuit fault. The panel provides two monitored outputs that may be configured as conventional sounder circuits a volt free common fire relay and a volt free common fault relay. There are also two multifunction latching/non-latching inputs and one monitored input programmable with options such as 'Class-Change' and 'Remote fire'. The control panel also incorporates an integral power supply unit and requires 2 x 12V 3.3Ah batteries to provide up to 72 hour standby times (refer to Technical Data for further information). The panel features a 500 event log, day/night mode, alarm confirmation and delay programming options that can be configured using the keypad or via PC driven OSP software. The TwinflexPro panel is only compatible with Fike Safety Technology's Twinflex devices and unlike most conventional fire alarm systems, which require separate pairs of cables for detector zones and sounder circuits, the Twinflex system requires one 2-core screened cable for each zone to accommodate both detection devices and sounders.



### SPECIFICATIONS

Dimensions:	Width x Height: 331mm x 331mm Depth: 99mm
Operating Temperature:	+5°C to +40°C
Mains Supply Range:	230VAC, +10%, -15%, 50/60Hz
Standby Battery Requirement:	2 x 3.3Ah 12V Sealed Lead Acid
Number of Zones:	4/8
Max Zone Length:	500 Metres
Zone Loading:	160 DLU (32 Devices Max)
Zone Operating Voltage:	Nominal: 29.9VDC
Max Zone Current:	250mA
LCD Display:	4 Lines of 20 Characters
Zone Labels:	12 Characters
Event Log:	500 Events
Inputs and Outputs:	Inputs: 1 x Resistance Monitored Input (3k3 EOL, 680R Firing Resistor) 2 x Un-Monitored Inputs Fault Output: 1 x Volt Free Relay (30VDC @ 1A Max) Fire Outputs: 1 x Volt Free Relay (30VDC @ 1A Max) 2 x 24V Conventional Sounder/Remote Fire Circuits (10k EOL, 250mA Max)

### APPROVALS

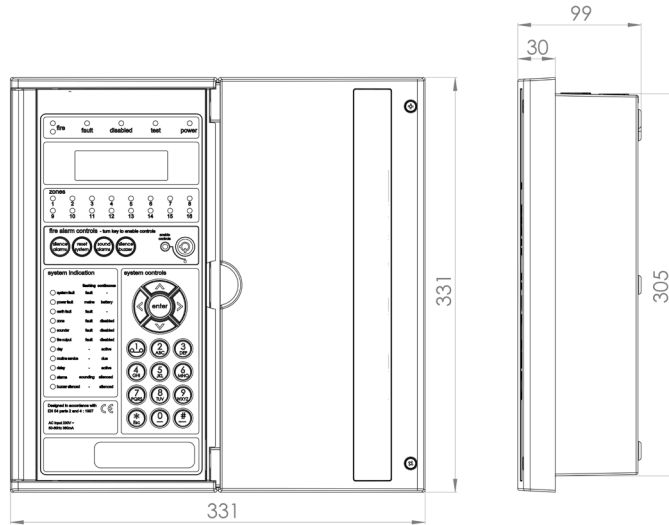


331q

Approved to EN54 Part 2 & Part 4

Form No. FST.2.18.01-1

## PANEL DIMENSIONS



(All measurements shown are in millimetres)

## TERMINAL DEFINITIONS

<b>SCRN</b>	Earth From SMPS	<b>COM</b>	Fault Relay Common (30VDC @ 1A)
<b>0V IN</b>	0V From SMPS	<b>N/O</b>	Fault Relay Normally Open (30VDC @ 1A)
<b>24V IN</b>	+30V From SMPS	<b>N/C</b>	Fault Relay Normally Closed (30VDC @ 1A)
<b>BAT +</b>	Battery +V	<b>SCRN</b>	Zone Screen
<b>BAT -</b>	Battery 0V	<b>Z -</b>	Zone 0V
<b>SCRN</b>	24-30V Aux Screen	<b>Z +</b>	Zone +V
<b>AUX +</b>	24-30V Aux Supply +V (250mA)	<b>I/P2 -</b>	Unmonitored I/P 1 +V
<b>AUX -</b>	24-30V Aux Supply 0V	<b>I/P2 +</b>	Unmonitored I/P 1 0V
<b>SCRN</b>	Monitored Output 1 Screen	<b>I/P1 -</b>	Unmonitored I/P 2 +V
<b>MO1 +</b>	Monitored Output 1 +V (250mA)	<b>I/P1 +</b>	Unmonitored I/P 2 0V
<b>MO1 -</b>	Monitored Output 1 0V	<b>SCRN</b>	Monitored Input 1 Screen
<b>SCRN</b>	Monitored Output 2 Screen	<b>MI1 -</b>	Monitored Input 1 0V
<b>MO2 +</b>	Monitored Output 2 +V (250mA)	<b>MI1 +</b>	Monitored Input 1 +V
<b>MO2 -</b>	Monitored Output 2 0V	<b>SCRN</b>	Network Screen (Future Use)
<b>COM</b>	Fire Relay Common (30VDC@0.2A)	<b>NET A</b>	Network Connection A (Future Use)
<b>N/O</b>	Fire Relay Normally Open (30VDC @ 1A)	<b>NET B</b>	Network Connection B (Future Use)
<b>N/C</b>	Fire Relay Normally Closed (30VDC @ 1A)	<b>USB-B</b>	OSP Programming Connection

## ORDERING INFORMATION

Fike P/N	Description
505 0004	TwinflexPro 4 Zone Control Panel
505 0008	TwinflexPro 8 Zone Control Panel
505 0006	4 Zone Expansion PCB (For 505 0004 Only)

# Fike®

Copyright © Fike Corporation All Rights Reserved.  
Form No. FST.2.18.01-1 April, 2013 Specifications are subject to change without notice.