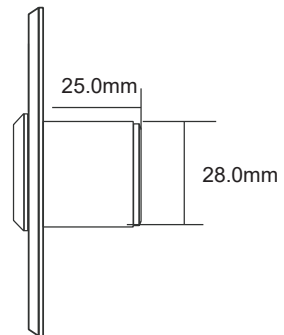
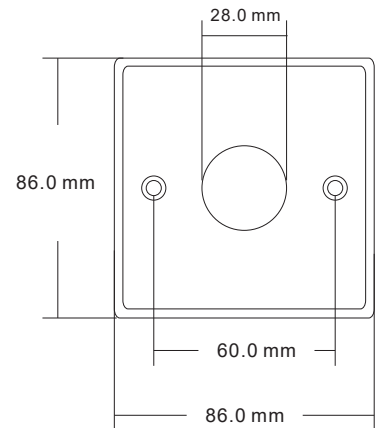


XB/NT86/ALI

Touch Free Sensor Exit Button

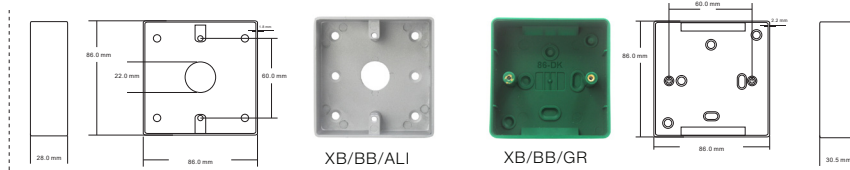


Brushed aluminum touch free exit button for indoor use with access control systems or electric locks. Ideal for sanitary applications such as cleanrooms, food hospitals, labs and industry use.



- Touch Free Sensor Exit Button
- Aluminium
- 120mm Read Range
- 2 LED Indicators
- Flush or Surface fitting - (choice of backbox)
- Size: 86 x 86 x 25mm

Choice of backbox



Product codes

Code	Description
XB/NT86/ALI	Aluminium Touchless Sensor Exit Button
XB/BB/ALI	Metal Frosted Surface Backbox
XB/BB/GR	Green Plastic Backbox

Specifications

Dimensions:	86 x 86 x 25mm	LED Indicator:	Blue LED (Standby) Green LED (Active)
Contact Rating:	12-24V, 3A	Panel:	4mm Thick Aluminium
Power:	12VDC & 25VDC	Weight:	0.115kg
Read Range:	120mm	Wiring:	
Output Contact:	NO/NC/COM	Red:	+12VDC
Mechanical Life:	500,000 Tested	Black:	-GDN
Logo:	Customizable	Green:	NO
Operating Temp:	-25°C~+55°C (14-131F)	White:	NC
Operating Humidity:	0-95% (relative humidity)	Yellow:	COM
Surface Mount:	Optional Backbox		

Rev. 2-7/2020



www.cqr.co.uk

info@cqr.co.uk

Sales: +44(0)151 606 1000 Tech : +44(0)151 606 6311

CQR Security Ltd, 125 Pasture Road, Moreton, Wirral, CH46 4TH, UK

