

# Wireless Acoustic Door Holder

This innovative wireless battery-powered magnetic Door Holder is triggered acoustically when the fire alarm sounders are activated. No external wiring is required and the unit is typically powered in excess of 12 months by 2 standard 'C' battery cells.

Advanced, intelligent, digital technology learns the sound of the building's fire alarm, meaning false activations are almost eliminated. Its attractive compact design suits any environment and it can be programmed for regular daily releases, e.g. it can be programmed to release at night and resume holding in the morning.

## Features

- 200 N holding force
- Easily installed and programmed
- Learns the sound of the fire alarm
- 12 months battery life from 2 'C' cells
- Battery life indication and low battery warning
- Programmable for automatic release and re-hold for day / night
- Approved to EN 1155 and CE marked under the CPR
- Manual release button



## Specification

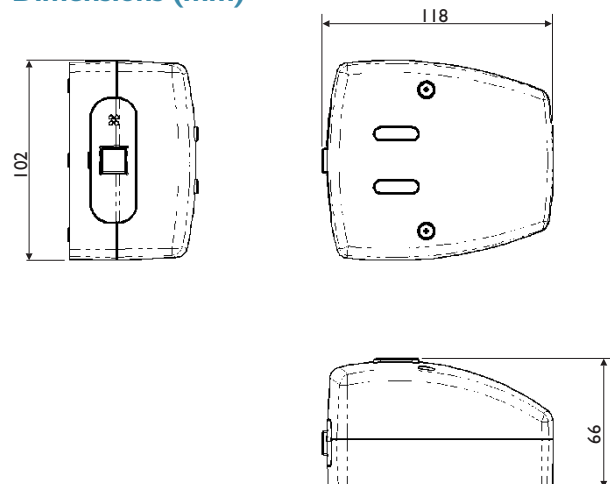
<b>CE</b>	Stephenson Gobin Ltd Bishop Auckland DL14 0HY England		<b>13</b>					
	1121-CPD-AE0019.	EN1155:1997 + A1:20002						

Holding Force:	200N
Power Size:	5
Preferred Sounder Tone:	Continuous

## Part Number

ACC0003: Wireless Acoustic Door Holder

## Dimensions (mm)



## Vimpex Limited

Star Lane, Great Wakering  
Essex SS3 0PJ England  
Tel: +44 (0) 1702 216999  
Fax: +44 (0) 1702 216699  
E-mail: sales@vimpex.co.uk  
[www.vimpex.co.uk](http://www.vimpex.co.uk)

