

The WIP6F is a 6MP network IR water proof fisheye camera. It supports local CVBS video output and two way audio as well as 20~30m IR night view distance.

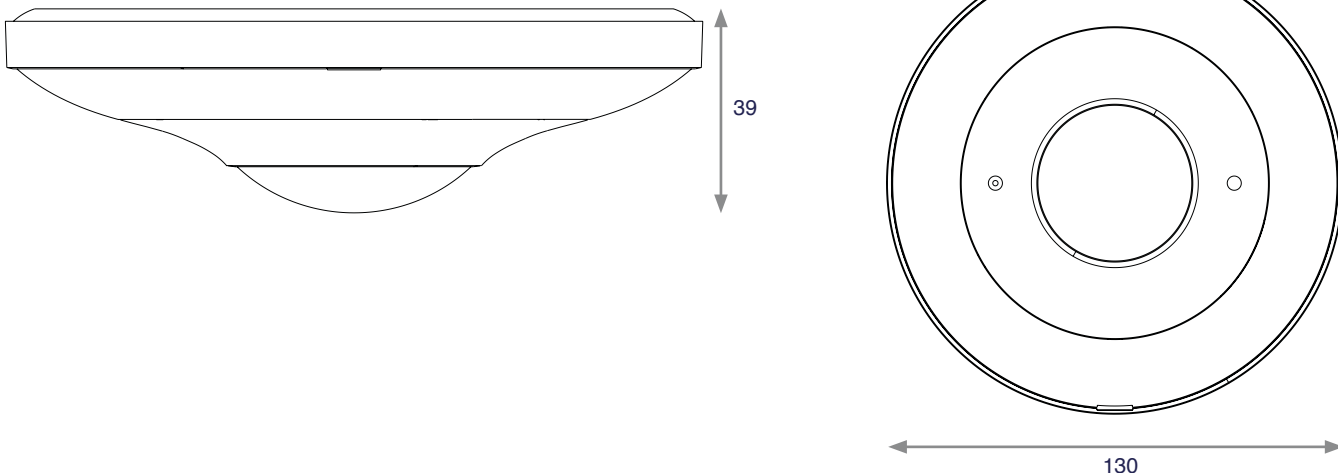


WIP6F

Key Features

- 6MP (2160 x 2160) H.265 full real time coding
- Maximum resolution: 2160 x 2160
- ICR auto switch, true day / night
- 20~30m IR night view distance
- 3D DNR, Digital WDR
- Support HLC and BLC
- ROI coding
- Support scalable video coding technology
- Support local CVBS video output and two way audio
- Support hardware reset
- Support PoE power supply
- Support smart phone, iPad, remote monitoring
- Support P2P
- IP66
- Support 3 streams

Dimensions (mm)





Specification

Model Number	WIP6F
Image Sensor	1 / 2.9" CMOS
Electronic Shutter	1 / 25 s ~ 1 / 100000 s
Lens	1.07mm @F2.5 Horizontal field of view, 180° Wall mount, 360° Ceiling mount
Day & Night	ICR
WDR	Digital WDR
BLC	Yes
DNR	2D / 3D
Slow Shutter	Yes
Video Compression	H.265 / H.264 / MJPEG
Encoding Type	VBR (Five levels adjustable) / CBR
Smart Encoding	Support low Bitrate, low delay; Support ROI coding & SVC technology support self-adaptive transmission bitrate as the network environment
Video Bit Rate	64 Kbps ~ 16Mbps
Audio Compression	G.711A /G. 711Mu
Audio Bit Rate	8Kbps ~ 48 Kbps
Main Stream Maximum Frame Rate	Fisheye + Panorama + 3 PTZ 50Hz: 25fps @ (2160 x 2160/1920 x 1920/1440 x 1440), 25fps @ (1920 x 1080), 25fps @ (960 x 540) x 3 60Hz: 30fps @ (2160 x 2160 / 1920 x 1920 / 1440 x 1440), 30fps @ (1920 x 1080), 30fps @ (960 x 540) x 3 Fisheye + 4 PTZ 50Hz: 25fps @ (2160 x 2160 / 1920 x 1920 / 1440 x 1440), 25fps @ (960 x 540) x 4 60Hz: 30fps @ (2160 x 2160 / 1920 x 1920 x 1440 x 1440), 30fps @ (960 x 540) x 4
Maximum Image Size	2160 x 2160
Image Settings	ROI, Saturation, Brightness, Chroma, Contrast, Wide Dynamic, Sharpen, NR,etc. (Adjustable through client software or web browser)
Network	RJ45
Video Output	CVBS video output (BNC x 1)
Audio	MIC in x 1, MIC out x 1
Storage Card	Support TF card, Up to 128GB
RS485	Yes
Alarm	1 channel alarm input, 1 channel alarm output
Remote Monitoring	IE browsing, CMS remote control
Online Connection	Support simultaneous monitoring for up to 10 users, Support multi-stream real time transmission
Network Protocol	TCP / IP, UDP, DHCP, NTP, RTSP, PPPoE, DDNS, SMTP, FTP
Interface Protocol	ONVIF, GB-T/28181-2011
Storage	TF card local storage, Network remote storage
Smart Alarm	Motion alarm, Sensor alarm
PoE	Yes
IR Distance	20~30 m
IP Rating	IP66
Installation	Wall mount, Pendent mount
Power Supply	DC12V / PoE
Operating Environment	-20 °C ~ 50 °C, 10 % ~ 90 % Relative Humidity
Power Consumption	<12W
Dimensions	Φ39 x 130 mm
Weight	432g

Genie Access reserves the right to change specifications without notice. Please contact your representative to confirm current specifications.