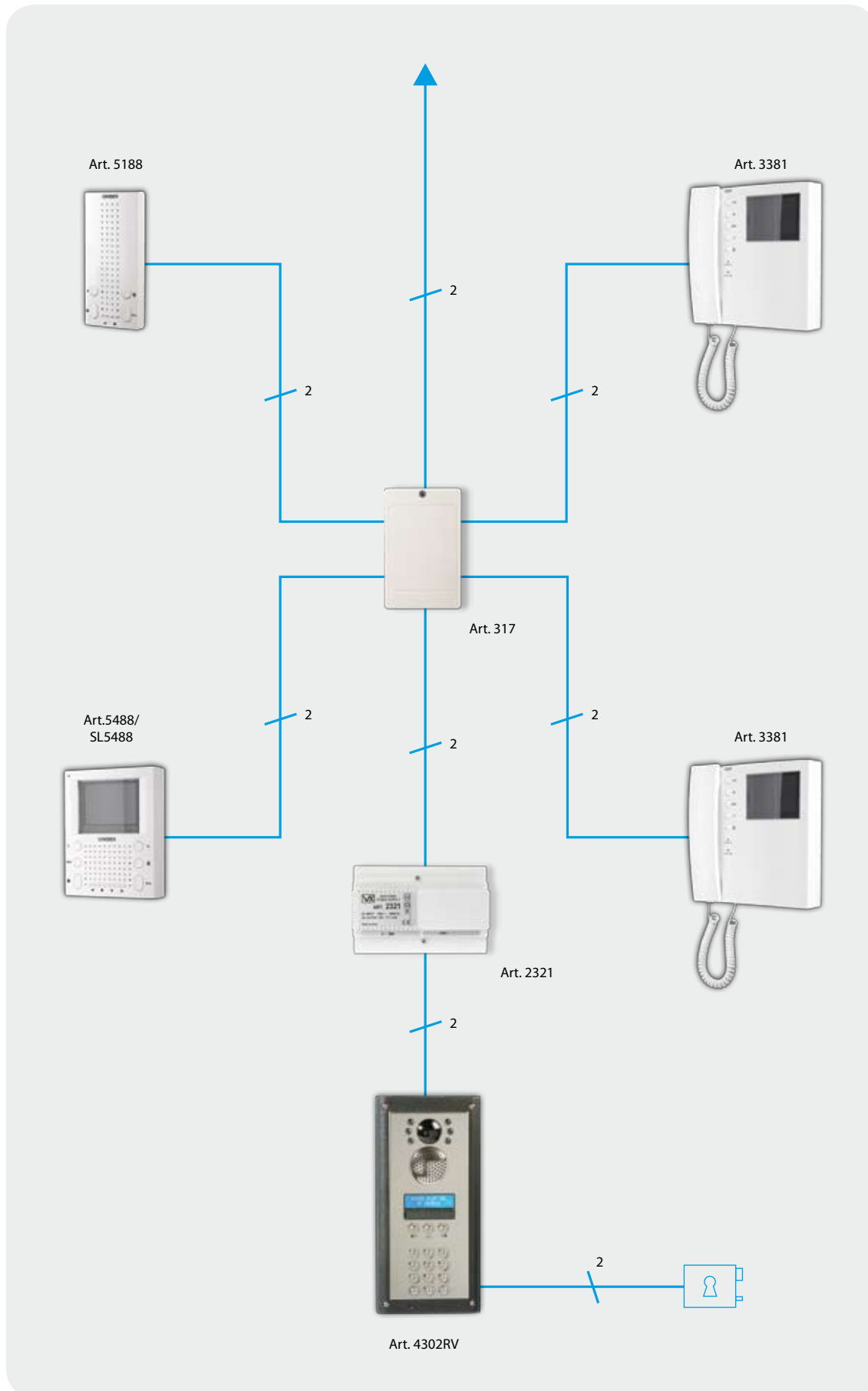


VX 2300

Digital System "Two wire" BUS video



VX2300 DIGITAL SYSTEM

The VX2300 is the latest in the range of digital audio and video door entry systems to be introduced by Videx. With the experience in the design and manufacture of digital door entry systems and the company's philosophy of achieving excellent audio and video quality, versatility, reliability, safety and ease of installation. The 2 wire none polarity conscious VX2300 BUS carries all audio, video and data signals which greatly reduce installation time.

The VX2300 is designed for small to medium size installation up to a maximum system size of 100 intercoms and / or videophones. The system will accommodate up to 8 video door panels (functional or digital) with either colour or black and white cameras.

Main features:

- 2 wire none polarity conscious BUS
- Distance up to 50 meters using standard telephone cable and up to 200 meters using Videx supplied cable.
- Multiple entrance systems with up to 8 video door panels (colour or black and white).
- Digital or functional door panels
- All digital door panels incorporate speech annunciation of call progress and error messages and the ability for all users to have their own unique access code. The access code can have up to six digits and is blind to onlookers (panels are programmable from PC or door panel).
- System size up to 100 devices
- Number of devices within the same address 4 (the total system must not exceed 100 devices)
- Intercommunication between devices within the same or other apartments.
- Local door bell facility
- Active video isolation splitter
- Additional relay modules for extra services which connect to the 2 wire BUS
- Electric lock or other devices powered from the door panel

Art.4302V,4302RV

Digital Panels

Digital panels for the VX2300 are built into the 4000 series modular frames (standard size 2 modules). The panels, in addition to the speaker unit, includes a 2 line x 16 character LCD display with back lighting, keypad illumination and have a 15 (panel with repertory name facility) or 18 push button keypad depending on panel version. Video versions include a black and white or colour CCD camera with auto iris lens and are complete with subject illumination LED's (infrared for black and white and white light for colour), all cameras have a vertical and horizontal adjustment of 10°. VX2300 digital door panels have speech annunciation of the calls progress and error messages to assist the visitor and incorporate a "coded access" facility for all users. All panels have a trade code plus a number of additional facilities, the "R" version door panels incorporate a name search facility. Front panel finishes are the same as for the standard 4000 series modules: mirror stainless steel (standard), anodized aluminium and high polished brass.

Art.4303N-0,1,2

Speaker Unit with functional to digital interface module.

The Art.4303N speaker unit can be used in place of digital door panels. The Art.4303N is built into a single 4000 series module and includes the digital interface allowing the connection of up to 64 individual push buttons using the standard 4000 series button expansion modules (Art.4842, 4843, 4844 or 4845). The Art.4303N is available with 1 button, 2 button or no buttons. Front panel finishes are as per 4000 series modular.

Art.4330N

Camera Module

The Art.4330N is housed in a single 4000 series module. The black and white CCD camera has an auto iris lens, allows for 10° vertical and horizontal adjustment and is complete with infrared LED's for subject illumination. A colour version is also available and incorporates white light LED's for subject illumination. The Art.4330N has an external camera input that can be switched from a videophone connected to the system. Front Panel finishes are as per 4000 series modular.

VX 2300

Digital System "Two wire" BUS video



Art.317

4 way BUS distribution Box

The Art.317 connects to the 2 wire BUS and allows 4 units (audio-intercoms or videophones) to be connected. One Art.317 required for every 4 units connected on the system.

Should a fault occur on an audio-intercom or videophone the Art.317 will isolate all 4 units connected to it with no detrimental effect to the remainder of the system. Art.317 is housed in a wall mounting plastic box 70 x 110 x 30mm.

Art.318

Art. 318 is a 2 ways passive line bus distributor, it can be used in smaller systems where the distance between the outdoor station and the furthest monitor is no more than 70mt. It is housed in a 50X60X20 mm plastic box which is for surface mounting.

Art.2301N

Art.2301N is the replacement for the Art.2301/4 and 2301/8 entrance exchange units. The Art.2301N will control 4 entrances (up to 8 entrances if 2 x Art.2301N's are used). Each entrance can have its own video signal level set to cater for varying distances, the unit is housed in a 9 module DIN A type box and can be surface or DIN rail mounted.

Art.2321

Power Supply

Power supply for smaller systems with 1 door panel and a maximum of 20 audio-intercoms or videophones. The unit is housed in a 9 module DIN box which can be rail or wall mounted.

Art.2321/P

Power Supply

Power supply for use on larger systems with multiple entrances with up to 100 audiointercoms or videophones. The unit is housed in a 15 module DIN box which can be rail or wall mounted.

Art.2322

The Art.2322 connects to the BUS of the VX2300 system and provides a +12Vdc source @ 100ma, which can be used to power ancillary devices without the need for additional power supplies eg: To power 4800 digital keypad or other ancillary devices.

Art.2305

Bus Relay / Extension Sounder

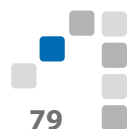
The Art.2305 has two built in relays and can be connected directly to the 2 wire BUS.

The unit has two modes of operation BUS Relay for ancillary devices or as an Extension Sounder. When used as a BUS Relay, the two relays are addressed individually from 1 to 8. To activate one of these relays a specified button on the audio-intercom or videophone must be operated the same number of times to correspond to the address value (1...8) of the required relay. When the unit is to be used as an Extension Sounder the address must be configured with the same address as the audio-intercom or videophone, these relays will be activated from an external call and can be used with an extension sounder such as the Art.512E (PSU also required). The unit is housed in a 5 module DIN box which can be rail or wall mounted.

Art.2315

The Art.2315 is a BUS booster device (requires a power supply) designed to amplify video / audio and data signals for use where existing cable has been identified as under sized for the distance to be covered.

NB. This product is not designed for use on new installations where correct cable size should always be used.



Art.2306

Art.2306 is a block exchange unit, which is required when an installation has secondary entrances in addition to a main entrance into the complex. The unit is housed in a 9 module DIN A type box and can be surface or DIN bar mounted.

Art.2380

Art.2380 allows to connect Art.380 and Art.275 interfaces to VX2300 digital system. Thanks to these interfaces you can use a normal telephone (land line telephone or laptop) as an intercom. The unit is housed in a 9 modules DIN A type plastic box , and it can be surface or DIN bar mounted.

Art.3181

Intercom

An intelligent 2 wire intercom with "door open/intercommunicating call" button, "BUS Relay" button, "privacy ON-OFF" switch, "door open" and "privacy on" LED. The unit also has a 3 level call tone volume switch. Programmable privacy duration and intercommunicating mode.

Art.5188

Intercom

Voice switched hands free intercom with buttons to control "answer/end conversation/recall/simplex conversation", "door open/intercommunicating call", "privacy on/off" (programmable duration) and "BUS relay control" (Art.2305) button. In addition there are 4 LEDs* to indicate the status of "answer/end conversation", "door open/closed", "privacy on/off" and programming status. Call tone and loudspeaker volume controls, through assigned buttons, are also incorporated on this model. In addition to programming required from the VX2300 digital system (address, extension address and intercommunication mode) it is possible to program the melody, the number of rings and the privacy service duration. Surface wall mount installation.

Art.3381

Videophone

An intelligent videophone with 4" flat screen mono monitor, with push buttons for "door open/ intercommunicating call", "camera recall", "BUS relay control", "privacy on-off" and a service button (dry contact). LED's are provided for "door open" and "privacy on/off" which also has a programmable privacy duration. A 3 position switch allows user selectable call tone volume (both main and local). Controls for contrast and brightness are also provided. Programmable intercommunication mode. Art.3481 has the same features as Art.3381 but employs a colour 3.5" active matrix LCD display.

Art.5488

Hands-free Video Monitor

An intelligent Hands-free (surface or flush mounting) video monitor employing a colour 3.5" active matrix LCD display, with push buttons for "door open/intercommunicating call", "answer/camera recall", "privacy on/off", "BUS relay activation" and 2 service buttons plus 4 LED's associated with 4 main buttons. In addition to the above the unit has controls for loudspeaker volume, call tone volume, brightness and hue with programmable number of rings, privacy duration and intercommunication mode.