

U10006S

Monitored Midi Magnet

- Stainless Steel housing
- Operating voltage 12~24Vdc
(*Selectable*)
- Holding force up to 800lbs (363Kg)
- Sealed electronics
- Weather resistant - IP67
- Monitored



WEATHER
RESISTANT
- IP 67 -

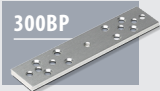


STAINLESS
STEEL



OPTIONS

300BP



U320M



U300ZL



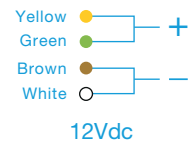
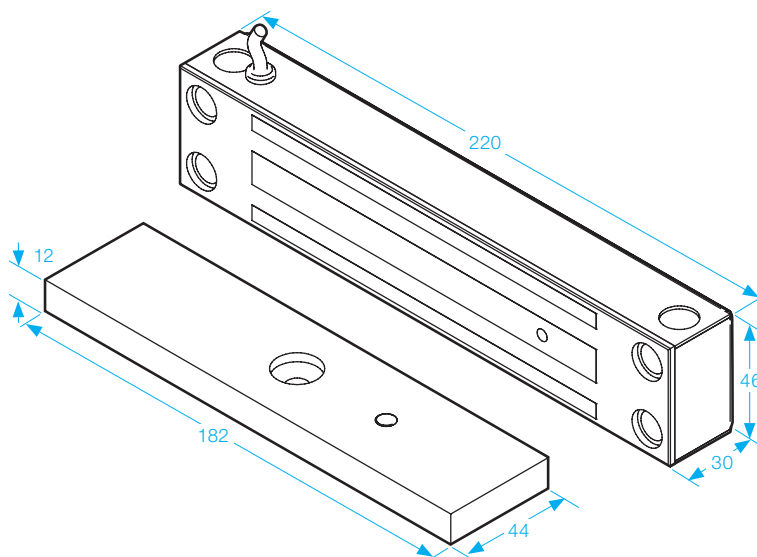
300ZLDC



U300AL



UGDB14



Reed Sensor Contact



CAUTION

Before applying power
set wiring correctly.

SPECIFICATION

- Voltage tolerance: $\pm 10\%$.
- Current draw: 460mA at 12Vdc, 230mA at 24Vdc
(at temperature 20°C).
- Operating temperature: -10~55°C (14 to 131°F).
- Lock's surface temperature: Current temperature $\pm 20\%$
(when power is on).
- Magnetic bond sensor monitor output remotely monitors the door lock or unlock status. (N.C. Output-Door opened; N.O. Output-door closed) (SPDT rated 0.25A at 12Vdc).
- Humidity: 0~95% non-condensing.
- Weight: 2.9kg (approx).