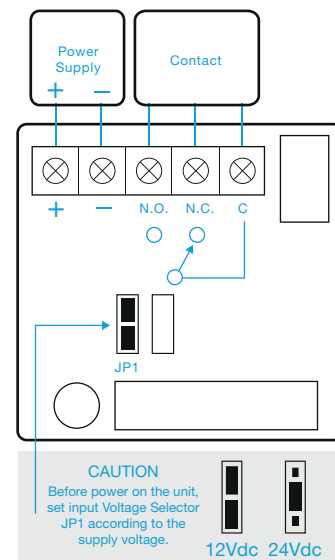
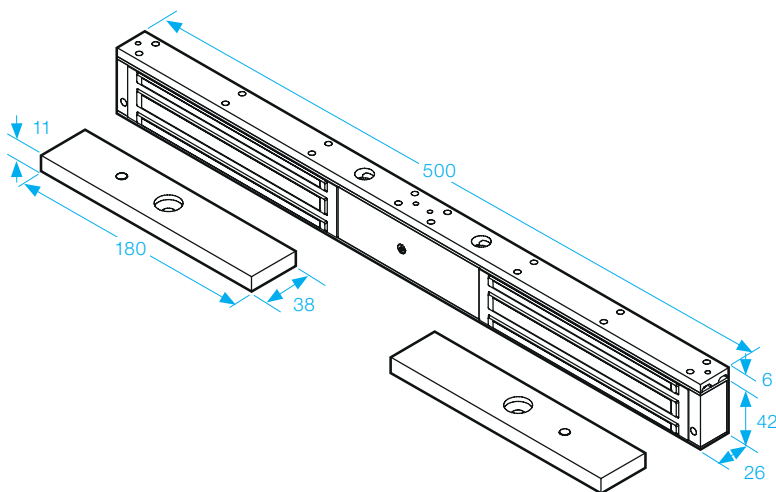


# U10004 UNMONITORED

# U10004DSU UNMONITORED WITH DOOR STATUS

## Double Mini Magnet

- Operating voltage 12~24Vdc (*Selectable*)
- Holding force up to 2 x 600lbs (272Kg)
- Aluminium housing
- Electroless Nickel Plated Armature
- Fail-Safe
- Door status: An independent contact that works separately from the magnet to show door status not lock status



**SPECIFICATION**

- Voltage tolerance:  $\pm 10\%$ .
- Current draw: 480mA at 12Vdc, 240mA at 24Vdc (*at temperature 20°C*).
- Operating temperature: -10~55°C (14 to 131°F).
- Lock's surface temperature: Current temperature  $\pm 20\%$  (*when power is on*).
- Humidity: 0~95% non-condensing.
- Aluminium housing, nickel plated armature.
- Weight: 3.7kg (*approx*).