

TARGHA

Audio and video entry panel

The Targha entry panel from BPT merges the utmost modularity and functionality with the most advanced aesthetic values contemporary design has to offer. Just a few codes is all it takes to find the right solution for any need. Made from anodized aluminium and available in two colours, Anthracite grey ST and light Greyhound grey GH, the Targha entry panel's high-tech appearance blends in effortlessly with the style of any building.

Easy to install, Targha is particularly suitable wherever leaving the existing structures untouched is of paramount importance.



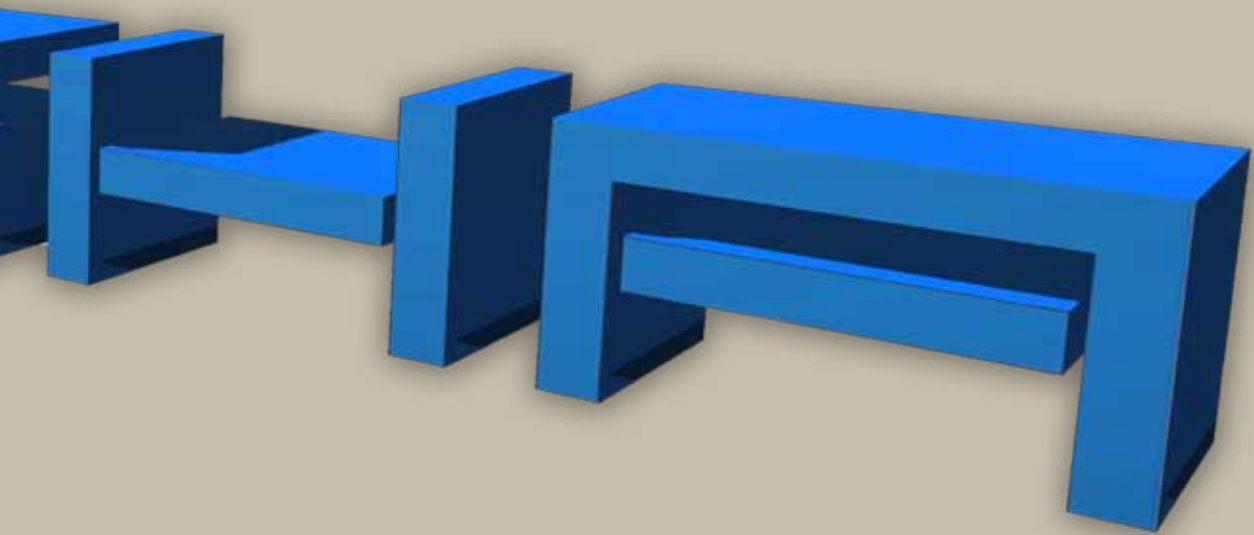
COMPATIBLE SYSTEM



MULTI-WIRED



LON BUS



TECHNICAL CHARACTERISTICS - EXTERNAL



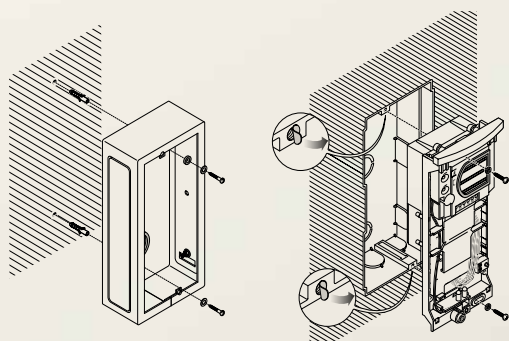
HSC/IHNA



HSC/IST

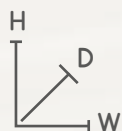
Wall-mounted

Recessed



DIMENSIONS

	W (mm)	H (mm)	D (mm)
Wall-mounted	99	207	30
Recessed	90	198	51.5



(*) Embedding box: depth 54,5 mm; protrusion from wall: 6.5 mm
 (**) Frame included

CODES

ENTRY PANELS



HSC/1ST

Targha audio entry panel

Brushed anodised aluminium, surface mount, IP54 rated, expandable to 8 buttons. Requires HA/200 audio module. 99x207x28 mm



HSC/1HNA

Targha audio keypad entry panel

Brushed anodised aluminium, surface mount, IP54 rated, expandable to 2 buttons with backlit keypad. Up to 100 3,4 or 5 digit codes. Two output relays, requires HA/200 audio module. 99x207x28 mm



HSV/1ST

Targha video entry panel

Brushed anodised aluminium, surface mount, IP54 rated, expandable to 4 buttons. Requires HAV/200 (mono) or HAVC/200 (colour) video/audio module. 99x207x28 mm



ACCESSORIES



KHPS

Targha single call button

UV resistant polycarbonate



KHPD

Targha split call button

UV resistant polycarbonate



HA/200

Audio module for System 200 entry panels

Two potentiometers to adjust entry panel volume control receiver volume control operation between -15 to +50 degrees



HAV/200 (Monochrome)

Video/Audio module for System 200 entry panels

CCD camera with $\pm 11^\circ$ manual adjustment, with fixed-focus lens. Infrared LED for lighting. Two potentiometers to adjust entry panel volume control receiver volume control. 380 Lines resolution, 1 vpp or balanced transmission. Operation between -15 to +50 degrees.



HAVC/200 (Colour)

Video/Audio module for System 200 entry panels

CCD camera with $\pm 11^\circ$ manual adjustment, with fixed-focus lens. Two potentiometers to adjust entry panel volume control receiver volume control. 380 Lines resolution, 1 vpp or balanced transmission. Operation between -15 to +50 degrees.