

RF-DD1012-K4 / TX-2413-03-1 / RF4112I4 Wireless Dual Detector Installation Sheet



EN DA DE ES FI FR IT NL NO PL PT SV

Figure 1: Positioning the detector

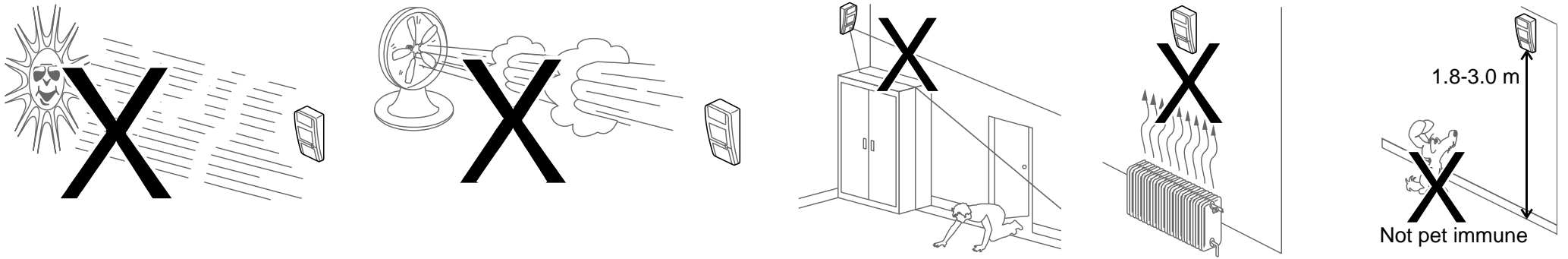


Figure 2: Mounting instructions

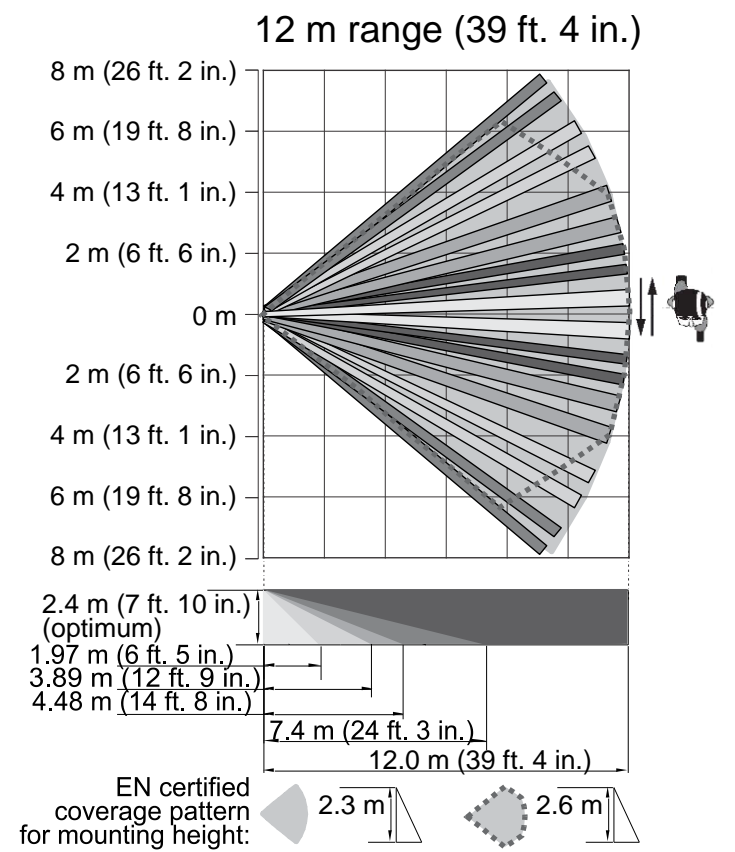
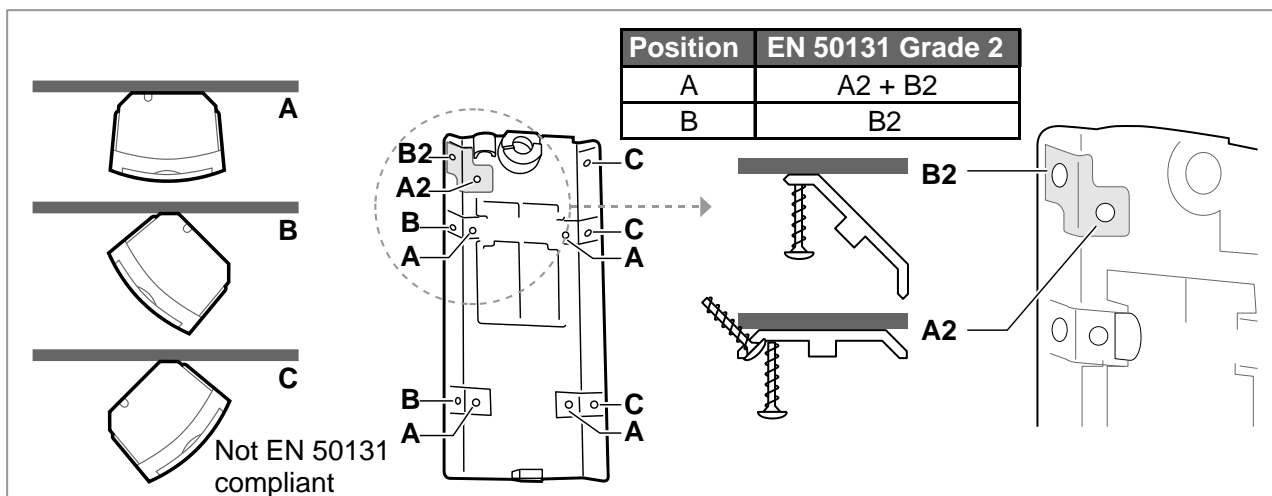
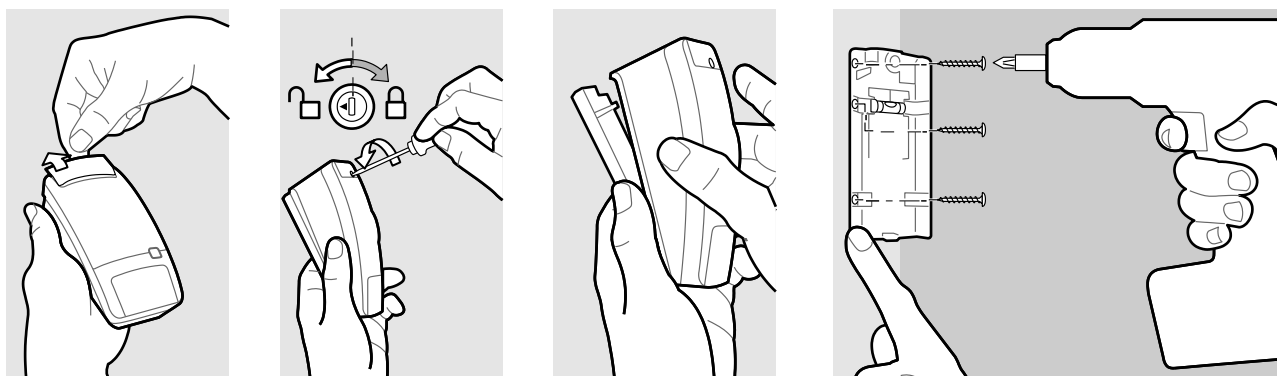


Figure 3: Adjust the detection pattern

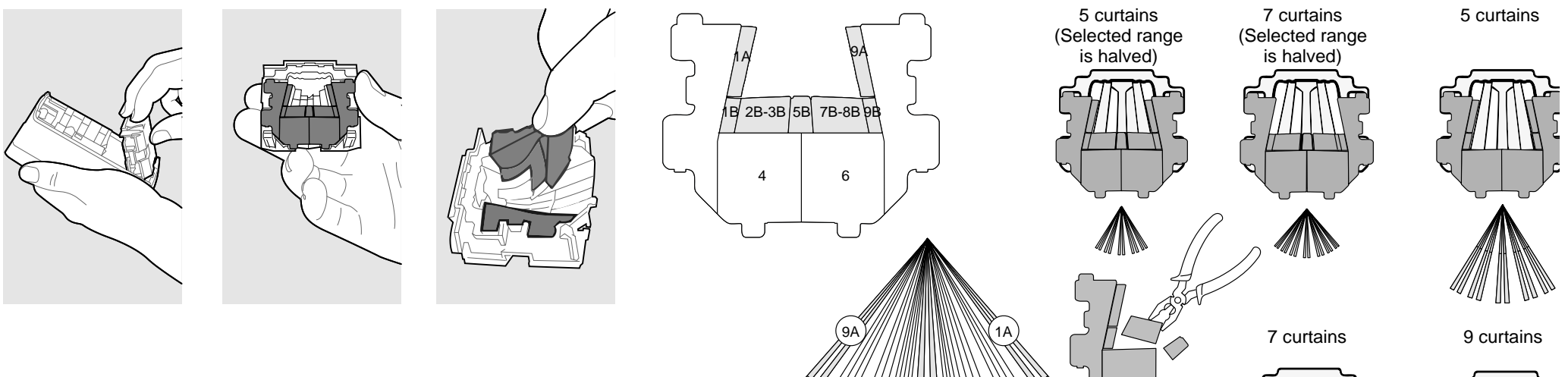


Figure 4: Jumpers

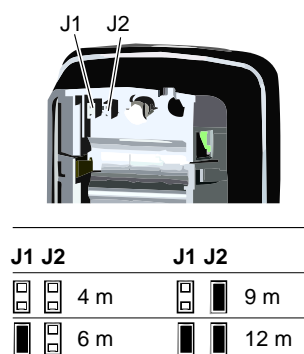


Figure 5: Installing the batteries

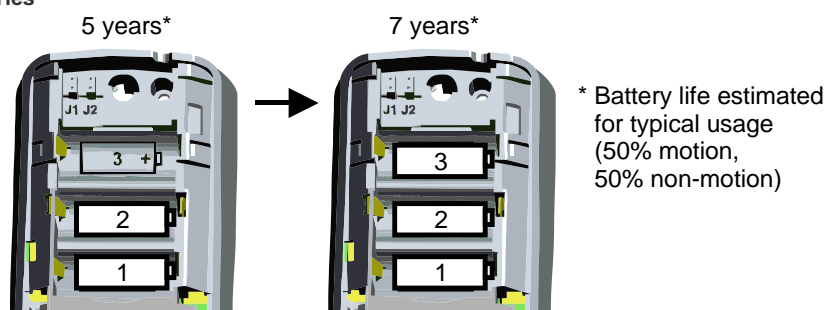
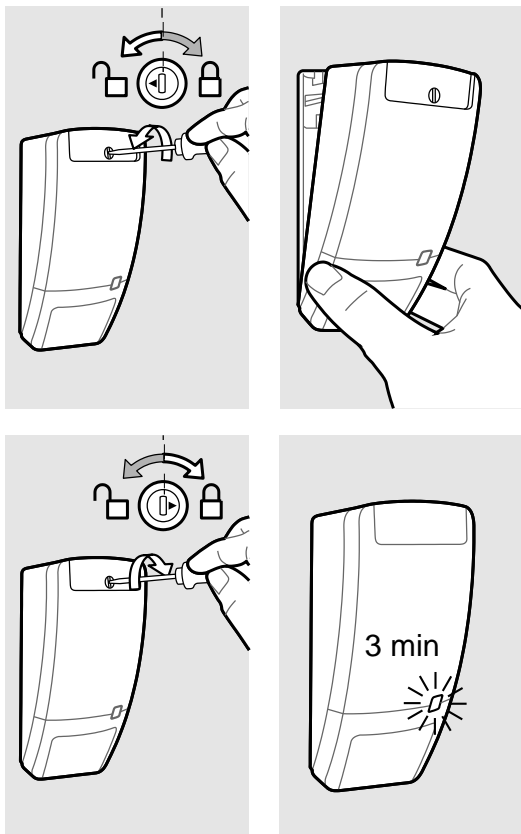


Figure 6: Walk test



Caution: Batteries can explode or cause burns if disassembled, recharged or exposed to fire or high temperature. This device can be equipped with up to 3 batteries. If multiple batteries are used, replace all batteries at the same time. Keep away from children. Dispose of used battery according to battery directive instructions and/or as required by local laws.

Product warnings and disclaimers



THESE PRODUCTS ARE INTENDED FOR SALE TO AND INSTALLATION BY QUALIFIED PROFESSIONALS. UTC FIRE & SECURITY CANNOT PROVIDE ANY ASSURANCE THAT ANY PERSON OR ENTITY BUYING ITS PRODUCTS, INCLUDING ANY "AUTHORIZED DEALER" OR "AUTHORIZED RESELLER", IS PROPERLY TRAINED OR EXPERIENCED TO CORRECTLY INSTALL FIRE AND SECURITY RELATED PRODUCTS.

For more information on warranty disclaimers and product safety information, please check <https://firesecurityproducts.com/policy/product-warning/> or scan the QR code.

DA: Kontaktinformation

www.utcfireandsecurity.com eller www.interlogix.com
For kundesupport se www.utcssecurityproducts.dk

Advarsel: Akkumulatører kan eksplodere eller forårsage forbrændinger, hvis de adskilles, genoplades eller udsættes for brand. Denne enhed kan indeholde op til 3 akkumulatører. Hvis der anvendes flere akkumulatører, udskift alle akkumulatører på samme tidspunkt. Skal holdes væk fra børn. Bortskaf brugte akkumulatører i henhold til instruktioner i akkumulator direktivet og / eller i henhold til lokale love.

DE: Kontaktinformation

www.utcfireandsecurity.com oder www.interlogix.com
Kontaktinformationen für den Kundendienst finden Sie auf www.utcssecurityproducts.de

Achtung: Batterien können explodieren oder Verbrennungen verursachen, wenn diese demontiert, wieder aufgeladen oder Feuer oder hohen Temperaturen ausgesetzt werden. Dieses Gerät kann mit bis zu 3 Batterien ausgestattet werden. Wenn mehrere Batterien verwendet werden, ersetzen Sie alle Batterien gleichzeitig. Von Kindern fernhalten. Entsorgen Sie verbrauchte Batterien gemäß den gültigen Batterierichtlinie-Anweisungen und / oder wie durch die lokalen Gesetze vorgeschrieben.

ES: Información de contacto

www.utcfireandsecurity.com o www.interlogix.com
Para acceder al servicio técnico, consulte www.utcssecurityproducts.es

EN: Installation Sheet

RF-DD1012-K4 and RF4112I4 are wireless 433 MHz dual detectors. TX-2413-03-1 is a wireless 868 MHz GEN2 dual detector.

Regulatory information

Manufacturer PLACED ON THE MARKET BY:
UTC Fire & Security Americas Corporation, Inc.
3211 Progress Drive, Lincolnton, NC, 28092, USA
AUTHORIZED EU REPRESENTATIVE:
UTC Fire & Security B.V.
Kelvinstraat 7, 6003 DH Weert, Netherlands

Certification **CE**

RF-DD1012-K4 , TX-2413-03-1: EN 50131-2-4, Security Grade 2, Environmental Class II. Tested and certified by Telefication B.V.

UTC Fire & Security hereby declares that this device is in compliance with the applicable requirements and provisions of all applicable rules and regulations, including but not limited to the Directive 2014/53/EU. For more information see: www.utcssecurityproducts.eu



2012/19/EU (WEEE directive): Products marked with this symbol cannot be disposed of as unsorted municipal waste in the European Union. For proper recycling, return this product to your local supplier upon the purchase of equivalent new equipment, or dispose of it at designated collection points. For more information see: www.utcssecurityproducts.eu/recycle/

Replacing the battery

Replace with the recommended batteries only:

- Duracell® DL123A
- Panasonic® CR123A
- Sanyo® CR123A

Precaucion: Las pilas pueden explotar o causar explosiones, si se desmontan, recargan o exponen al fuego o altas temperaturas. Estos dispositivos pueden ir equipados hasta con tres pilas. Si se utilizan varias pilas, reemplace todas ellas al mismo tiempo. Mantengalas alejadas de los niños. Deshagase de las pilas segun la normativa y las leyes locales.

FI: Yhteystiedot

www.utcfireandsecurity.com tai www.interlogix.com
Tietoja asiakastuesta on osoitteessa www.utcssecurityproducts.fi

Varoitus: Paristot saattavat räjähtää tai aiheuttaa palovammoja purettaessa, ladattaessa tai altistettuna korkealle lämpötilalle. Tämä laite voidaan varustaa kolmella paristolla. Useita paristoja käytettäessä tulee kaikki vaihtaa samanaikaisesti. Paristot pidettävä lasten ulottumattomissa. Paristot on hävitettävä aina ohjeiden ja paikallisten lakien ja säännösten mukaisesti.

FR: Informations de contact

www.utcfireandsecurity.com ou www.interlogix.com
Pour contacter l'assistance clientèle, voir www.utcssecurityproducts.fr/mail_support.htm

Attention : Les piles peuvent exploser ou provoquer des brûlures en cas de démontage, recharge ou d'exposition au feu ou à des températures élevées. Cet appareil peut être équipé de jusqu'à 3 piles. Remplacer toutes les piles en même temps. Garder éloigné des enfants. Éliminez les piles usagées conformément aux directives et / ou par lois locales.

IT: Informazioni di contatto

www.utcfireandsecurity.com o www.interlogix.com
Per l'assistenza clienti, vedere www.utcssecurityproducts.it

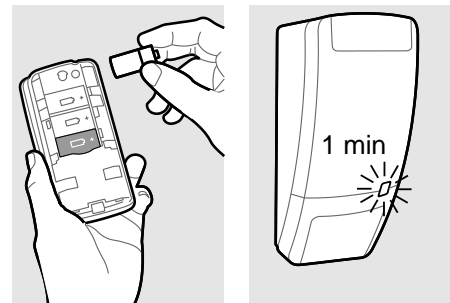
Attenzione: Le batterie possono esplodere o causare incendi se smontate, ricaricate o esposte al fuoco o ad alte temperature. Questo apparato può essere equipaggiato con 3 batterie. Se vengono utilizzate batterie multiple, sostituire tutte le batterie nello stesso tempo. Tenere lontano dai bambini. Disporre le batterie utilizzate in accord con le istruzioni delle direttive sulle batterie e/o come richiesto dalle leggi locali.

NL: Contactgegevens

www.utcfireandsecurity.com of www.interlogix.com
Voor klantenondersteuning, zie www.utcssecurityproducts.nl

Let op: Batterijen kunnen exploderen of brandwonden veroorzaken wanneer deze worden gedemonteerd, opgeladen of worden blootgesteld aan brand of hoge temperaturen. Dit apparaat kan uitgerust worden met maximaal 3 batterijen. Als meerdere batterijen

Start-up



Specifications

| Model | RF4112I4 | RF-DD1012-K4 | TX-2413-03-1 |
|---|--|--------------|--------------|
| Detection technology | Dual: PIR (9 curtains, view angle 86°), Radar (Range Controlled) | | |
| Detectable range | 4, 6, 9, and 12 m (selectable by J1 and J2) | | |
| Radar operating frequency | 5.8 GHz | | |
| Radar output power (EIRP) | < -1.3 dBm | | |
| Target speed range | 30 cm/s to 3 m/s | | |
| Battery type | 3.0 V, 1300 mAh lithium | | |
| Current consumption | 58 µA (avg.), 50 mA (max.) | | |
| Mounting height EN certified | 1.8 to 3.0 m (2.4 m typical) 2.3 to 2.6 m | | |
| Detector start-up time | 1 min | | |
| Supervisory interval | 18 min | | |
| Lock out timer | 3 min | | |
| Operating frequency | 433.92 MHz | 433.65 MHz | 868.30 MHz |
| Power output | <10 dBm | <10 dBm | <10 dBm |
| Protocol | 433-63 | 433-80plus | GEN2 |
| RF range (open air / obstructed), typical | 300 m / 40 m | | 600 m / 40 m |
| Operating temperature | EN -10 to +55°C | | |
| Relative humidity | 95% max. noncondensing | | |
| IP/IK rating | IP30 IK02 | | |
| Dimensions (LxWxH) | 130 x 69 x 53 mm | | |
| Weight | 176 g, including 2 batteries | | |

Contact information

www.utcfireandsecurity.com or www.interlogix.com.
For customer support, see www.utcssecurityproducts.eu.

gebruikt worden, vervang alle batterijen tegelijk. Hou weg bij kinderen. Gooi de gebruikte batterijen weg volgens de batterij instructies en / of zoals vereist door de lokale wetgeving.

NO: Kontaktinformasjon

www.utcfireandsecurity.com eller www.interlogix.com
For kundestøtte, se www.utcssecurityproducts.no

Advarsel: Batterier kan eksplodere eller forårsake brannskader hvis de demonteres, lades opp eller utsettes for brann eller høy temperatur. Denne enheten kan benytte inntil 3 batterier. Hvis flere batterier benyttes, må du bytte alle batteriene samtidig. Holdes unna barn. Kast brukte batterier i henhold til instruksjoner på batteriet og / eller gjeldende lokale lover.

PL: Informacje kontaktowe

www.utcfireandsecurity.com lub www.interlogix.com
Informacje na temat pomocy technicznej można znaleźć na stronie www.utcssecurityproducts.pl

Uwaga: Baterie mogą eksplodować lub wywołać pożar przy próbie rozbiórki lub ładowania bądź w wysokiej temperaturze. Urządzenie może zawierać do 3 baterii. W przypadku wymiany baterii, należy wymienić jednocześnie wszystkie. Trzymać baterie z dala od dzieci. Stare baterie należy utylizować zgodnie z obowiązującym prawem.

PT: Informação de contacto

www.utcfireandsecurity.com, www.interlogix.com
Para assistência ao cliente, consulte www.utcssecurityproducts.eu

Atenção: As baterias podem explodir ou originar queimaduras se abertas, recarregadas ou expostas a fogo ou altas temperaturas. Este dispositivo pode ser equipado com até 3 baterias. Se forem utilizadas múltiplas baterias, substitua-as todas na mesma altura. Mantenha afastado das crianças. Descartar de acordo com as instruções da diretiva sobre baterias e/ou conforme requerido pelas leis locais.

SV: Kontaktuppgifter

www.utcfireandsecurity.com eller www.interlogix.com
Kundsupport finns på www.utcssecurityproducts.se

Warning: Batterier kan explodera eller orsaka brännskador om dom demonteras, laddas eller utsätts för höga temperaturer. Denna enhet kan utrustas med upp till tre batterier, om flera batterier används, byt samtliga vid samma tidpunkt. Förvaras oåtkomligt för barn. Kassera använda batterier enligt de lagar och regler som upprättats av lokala myndigheter.