

# TVB-5502

## TruVision IP Bullet Camera, H.265/H.264, 8MPX

### Overview

---

The TruVision Series 5 line of IP bullet form factor cameras leverages the latest H.265 video compression technology to bring state-of-the-art, high-definition pictures to the mass video surveillance market. With camera resolutions of 3 or 8 megapixel, these IP cameras represent a flexible video surveillance device to meet any need. Equipped with advanced technology and signal processing capability, they effectively capture video under challenging conditions.

TruVision cameras utilize H.264 and/or H.265 compression technology with triple-streaming capability, making it easy to manage the camera's bandwidth usage. Motorized varifocal lens technology allows the user to remotely adjust the varifocal lens length and focus the camera with the touch of a button. Select models feature Low Light technology, which provides a clear image in low lighting conditions with a minimum of "grainy" interference. Recording to a local MicroSD card (not included) protects data in the event of network disruptions.

These cameras go above and beyond standard motion detection with enhanced alarm capabilities, including cross lines, intrusion, de-focus and face detection features. Each is user-configurable to best suit the installation environment. A Region of Interest function ensures specific portions of an image are given priority during instances of high network traffic or network degradation.

Location-specific functions include a Hallway View Mode to provide a portrait view of a hallway or corridor, a De-Fog Mode to help resolve images through fog or rain and Electronic Image Stabilization for installations subject to physical vibration or shaking.



### Details

---

- Maximum Resolution: 3840 x 2160/4K
- Maximum Real Time Resolution: 2560 x 1929 @ 25/30 fps (50/60 Hz)
- Designed to PSIA and ONVIF Profile G and S open standards
- H.265 and/or H.264 compression with triple-streaming functionality
- Edge recording up to 128GB SDHC card
- 1/2.8 CMOS image sensor
- Motorised IR Cut Filter
- Low Light: Color: 0.01 Lux @ (f1.2, AGC ON), 0 Lux IR on
- Fixed Lens 4mm
- Up to 30m IR illumination
- Up to 120dB Wide Dynamic Range
- On board intelligence

# TVB-5502

## TruVision IP Bullet Camera, H.265/H.264, 8MPX

### Technical specifications

#### Camera

Sensor size	1/2.8"
Max. resolution	8 MPX (4K)
Sensor scan	Progressive
Sensor type	CMOS
Total Pixels (H x V)	3840 x 2160
Digital S/N ratio	50 dB (AGC Off)
Shutter time	1/3s - 1/100,000s
Day/Night:	Motorized IR Cut Filter
IP	H.265/ H.264 / MJPEG
Compression/Standard:	
Maximum Resolution (@ FPS):	3840 x 2160 @ 20fps
Maximum Real Time Resolution (@ FPS):	2560 x 1920 (@ 25fps)
Multiple Streaming:	Triple Streams
Video Bit Rate:	32 Kbps to 16 Mbps, adjustable
Composite Output (BNC):	N/A

#### Lighting performance

WDR type	True WDR
WDR	120 dB
Digital noise reduction	3D DNR
Day/night	True Day/Night
Motorized IR cut filter	Yes
Color sensitivity	0.028 lux @ (f2, AGC ON); 0 lux with IR
B/W sensitivity	0 lux with IR on
Infrared (IR)	Yes
IR range	Up to 30 m
Wide Dynamic Range	WDR

#### Encoding

Video streams	3
Main stream compression	H.264 SVC, H.265
Sub stream compression	H.264, MJPEG
Video bit rate	32kbps to 16Mbps
Max. resolution @ fps	3840 x 2160 @20 fps

#### Lens

Lens type	Fixed
Focal length	4mm
f-stop	f2.0
Auto iris	Yes

#### Network

Supported video standards	CGI, ONVIF, PSIA
Supported network protocols	802.1x, DDNS, DHCP, DNS, FTP, HTTP, HTTPS, IPv4, IPv6, NTP, PPPoE, QoS, RTP, RTSP, SMTP, SNMP, TCP/IP, UPnP
Network Protocols:	TCP/IP, HTTP, DHCP, DNS, DDNS, ezDDNS, RTP, RTSP, PPPoE, SMTP, NTP, SNMP, HTTPS, FTP, 802.1x, Qos, IPv6. ONVIF, PSIA, CGI
PoE IEEE:	802.3af
Standard & Integration:	ONVIF Profile (G,S), PSIA, CGI

#### Audio

Audio in	N/A
Audio out	N/A

#### Alarm I/O

Alarm outputs	N/A
Alarm I/O connection	Terminal Type

#### Storage

Local storage support	Yes
Local storage type	Built-in Micro SD/SDHC/SDXC card slot
Max. storage capacity	256 GB

#### Video intelligence

Alarm trigger	Motion detection, Privacy Masking, Video tampering
Video analytics	Advanced motion detection, Face detection, Intrusion detection, Line crossing detection, Object left behind, Object removal detection

#### General

Technology	IP
Video standard	NTSC, PAL
Display modes	Hallway View, Mirror, ROI (Region Of Interest)
Software compatibility	OnGuard, Prism, TruVision Navigator, TVRmobile, Web Browser

#### Electrical

Power supply value	12 VDC
Power consumption	7 W
Current consumption	0.65 A

#### Physical

Physical dimensions	70 x 155 mm
Net weight	410 g
Colour	Grey
Form Factor	Bullet

# TVB-5502

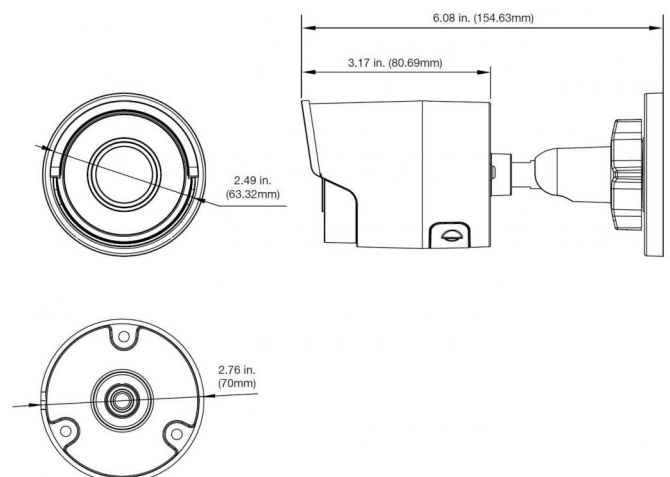
## TruVision IP Bullet Camera, H.265/H.264, 8MPX

### Environmental

Operating temperature	-30 to +60°C -22 to +140°F
Storage temperature	-30 to +60°C -22 to +140°F
Relative humidity	<95% (non-condensing)
Environment	Outdoor
IP rating	67

### Regulatory

Compliance	CE, FCC, HALT, REACH, RoHS, UL, WEEE
------------	--------------------------------------



As a company of innovation, UTC Fire & Security reserves the right to change product specifications without notice. For the latest product specifications, visit UTC Fire & Security online or contact your sales representative.

