

# Programa*stat*

## Wiring Centre Box

Cat. No. TRT049



## Operating & Installation Instructions



A **theben** Group Company

# 1. Introduction

The TRT049 is a cost effective and stylish wiring centre, with plenty of wiring space, and easily accessible terminals. There are cable clamps to secure incoming and outgoing cables. It is designed for internal use only. Wiring centres simplify installation and make checking the circuit easier. This wiring centre is suitable for all popular heating systems.

Wiring diagrams are supplied for the two most popular, S-plan and Y-plan.

This guide assumes that the installer can identify the required leads from the boiler, pump and other controls.

The electrical supply **must** be isolated before removing the front cover.

## TRT049 Wiring Centre Rear View

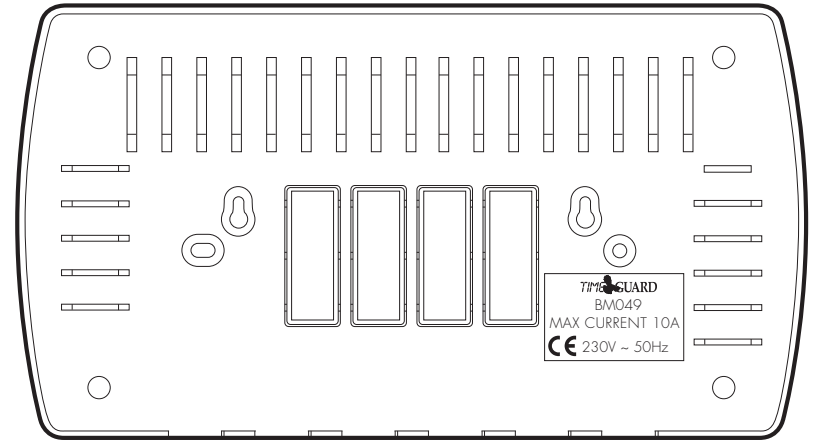


Fig. 1a

## TRT049 Wiring Centre Front View

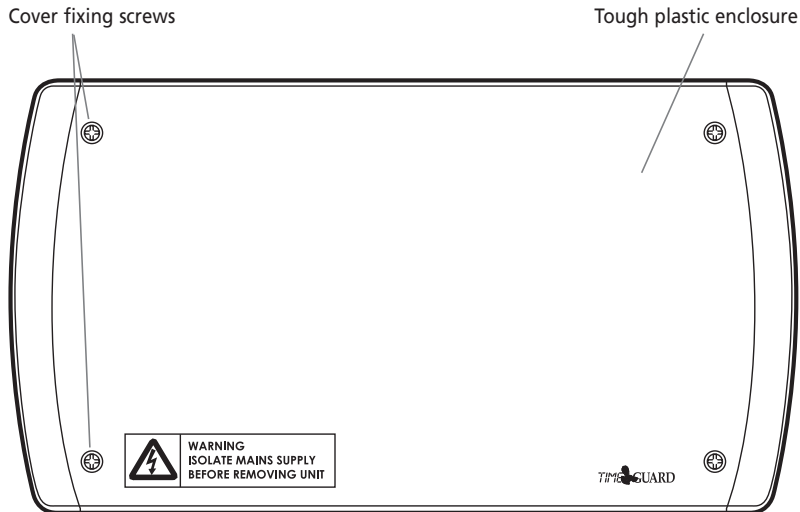


Fig. 1

## TRT049 Wiring Centre Inside View

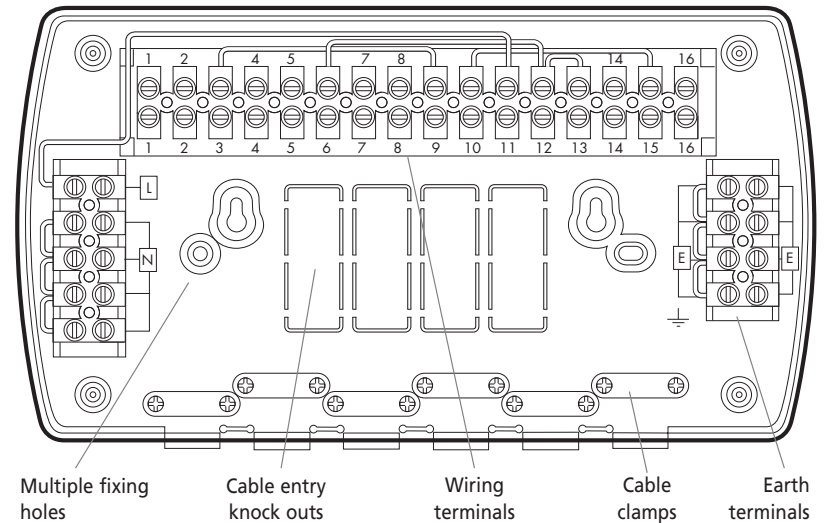


Fig. 1b

## Contents

TRT049 Wiring Centre	2 x screws
5 x wire link	1 x circuit identification label
2 x wall plugs	

## 2. Installation

This product must be installed in accordance with the appropriate building and wiring regulations.

In all cases if there is a doubt as to how to proceed with an installation consult a qualified electrician, your local authority's building control department or the Timeguard helpline (020 8450 0515).

Always isolate the mains supply before removing the cover from the TRT049.

The TRT049 is designed to be surface mounted.

Isolate 230VAC mains supply.

Remove front cover from unit, by undoing the 4 retaining screws.

Fix back plate securely to the wall, using the 2 screws (and wall plugs) provided. The cable knockouts should be at the bottom.

Remove the required break-offs from the bottom edge or knock-outs from the rear to accommodate the cables (a mixture of rear and bottom entries can be used if appropriate).

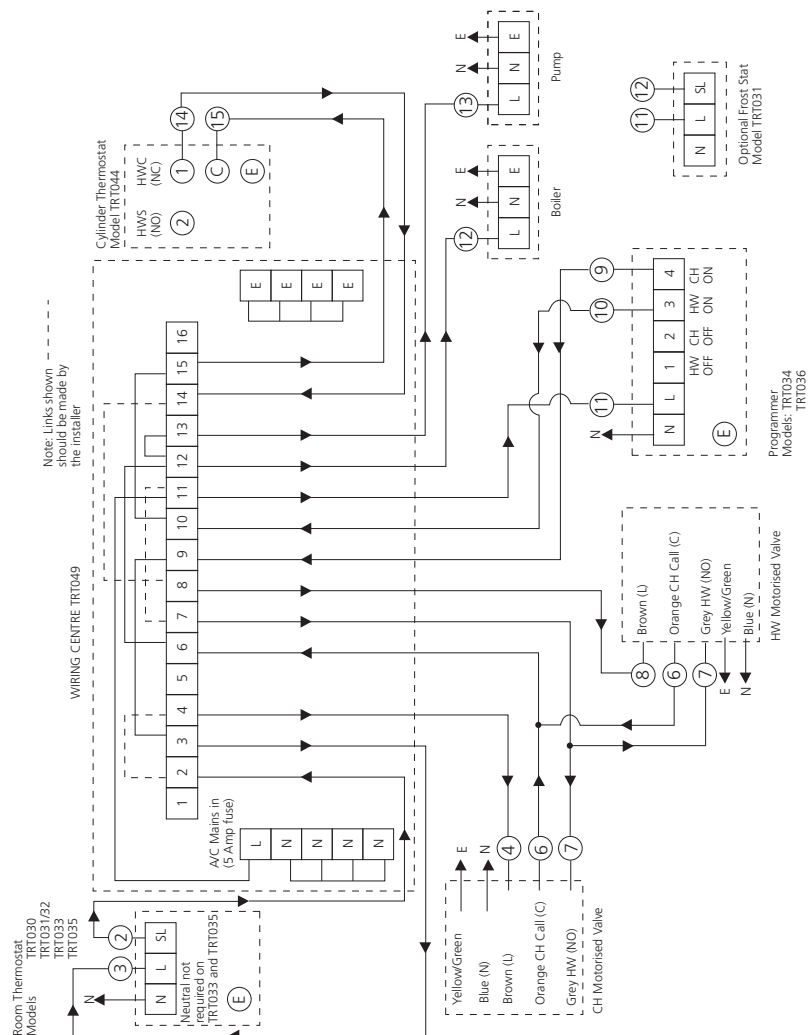
Allow sufficient excess cable to wire up the unit, but not too much to make it difficult to close the cover.

Connect the conductors to the relevant terminal, according to the wiring diagrams below.

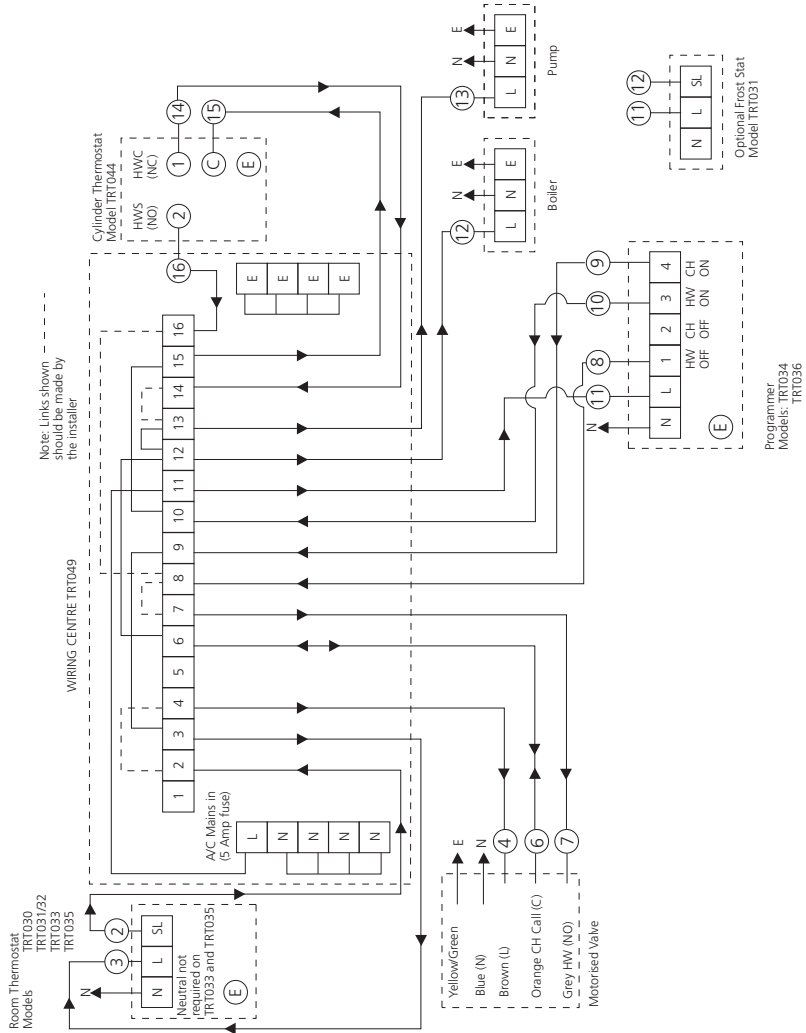
If earth continuity is required, please use the earth terminals on the right hand side.

Restore mains to the unit after checking all system wiring is complete and replacing cover.

## 2 Port Motorised Valve System (S-Plan)



### 3 Port Motorised Valve System (Y-Plan)



### 5. Specifications

Current rating:	10 A
Voltage:	230V, 50Hz
Operating temperature range:	0°C to 50°C
Complies with:	BS EN 60730
Conforms to directives:	73-23-EEC, 89-336-EEC

For assistance with the product please contact:-

**HELPLINE**

**020-8450-0515**

or email [helpline@timeguard.com](mailto:helpline@timeguard.com)



### ***3 Year Guarantee***

In the unlikely event of this product becoming faulty due to defective material or manufacture within 3 years of the date of purchase, please return it to your supplier in the first year with proof of purchase and it will be replaced free of charge. For years 2 and 3 or any difficulty in the first year telephone the helpline on **020 8450 0515**.

For a product brochure please contact:

**Timeguard Ltd.** Victory Park, 400 Edgware Road,

London NW2 6ND Tel: 020-8452-1112

or email [csc@timeguard.com](mailto:csc@timeguard.com)

A **theben** Group company

67-058-331