

Programa*stat*

Electronic 3 and 4 Channel Programmings

Cat. No. TRT038 (3 channel),
TRT039 (4 channel)



TRT038 (3 channel)



TRT039 (4 channel)

Operating & Installation Instructions



A **theben** Group Company

What is a programmer?

...an explanation for householders

Programmers allow you to set 'On' and 'Off' time periods. Some models switch the central heating and domestic hot water on and off at the same time, while others allow the domestic hot water and heating to come on and go off at different times.

Set the 'On' and 'Off' time periods to suit your own lifestyle. On some programmers you must also set whether you want the heating and hot water to run continuously, run under the chosen 'On' and 'Off' heating periods, or be permanently off.

The time on the programmer must be correct. Some types have to be adjusted in spring and autumn at the changes between Greenwich Mean Time and British Summer Time.

You may be able to temporarily adjust the heating programme, for example, 'Override', 'Advance' or 'Boost'. These are explained in the manufacturer's instructions.

The heating will not work if the room thermostat has switched the heating off. And, if you have a hot-water cylinder, the water heating will not work if the cylinder thermostat detects that the hot water has reached the correct temperature.



Certification mark

1. Introduction

TRT products are a cost effective comprehensive range of thermostats and timers designed for internal use only.

The TRT038 is a three channel programmer, and the TRT039 is a four channel programmer. Each channel can be programmed to have three on and off operations per day. There is automatic summer/winter time changeover.

The units are fitted with a factory installed battery which gives up to 24 hours back up of time, date and programmes in the event of a mains failure.

It is designed to be surface mounted on the wall plate supplied.

The electrical supply **must** be isolated before removing the programmer from the wall plate.

TRT Central Heating Programmers

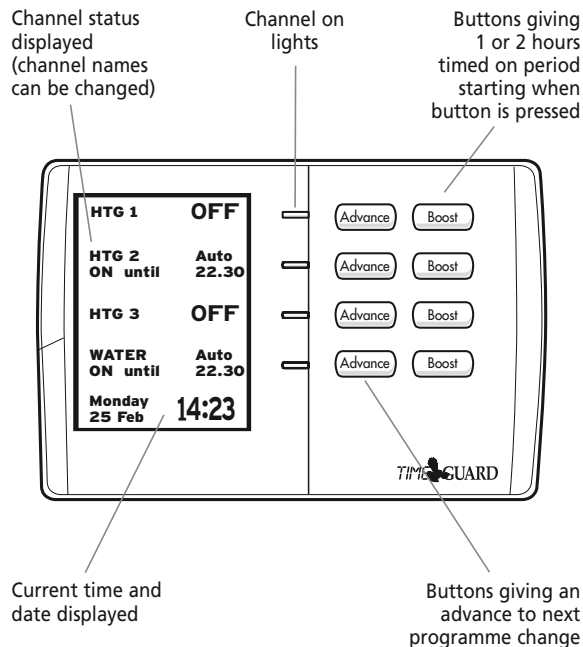


Fig. 1

TRT Central Heating Programmers

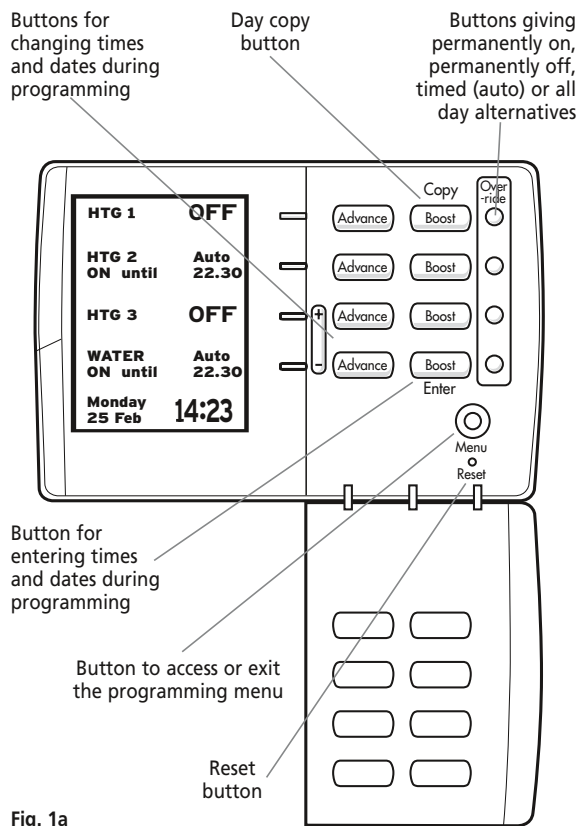


Fig. 1a

Rear View of TRT039 (TRT038 similar)

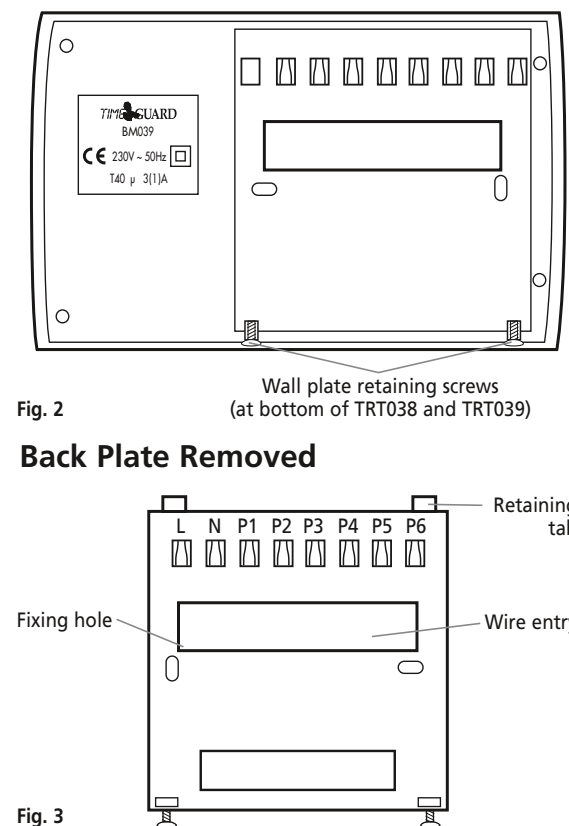


Fig. 2

Fig. 3

Contents

- TRT038 or TRT039 programmer
- TRT038/9 wall plate
- TRT038/39 instruction leaflet
- 2 x wall plugs
- 2 x screws

2. Siting

The TRT038/9 should be located at a position which eases wiring runs and gives good access for programming.

It should be mounted approximately 1.5m above floor level.

3. Installation

This product should be installed by a qualified installer to current installation standards. If in any doubt contact the Timeguard Helpline 020 8450 0515.

The TRT038/9 is designed to be surface mounted on the supplied wall plate.

Always isolate the mains supply before removing the unit from its wall plate.

Incoming and outgoing wires should be 1.5mm sq.

Remove wall plate from unit, by undoing retaining screws (see Fig. 2), and pivoting the bottom of the wall plate outwards. The TRT038/9 can then be lifted off.

Thread the incoming wires through the hole in the wall plate, and fix wall plate securely to the wall, using screws (and wall plugs if necessary) provided. The screws which secure the product to the wall plate should point downwards.

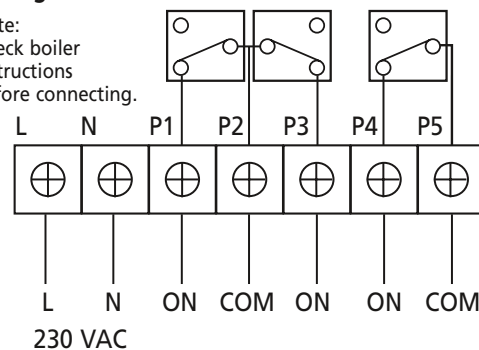
Allow sufficient excess cable to wire up the unit, but not too much to make it difficult to close the unit onto the wall plate.

Connect the conductors to the relevant terminal, according to the wiring diagrams on the wall plates or in Fig. 4 below. Ensure that the curved brass washers grip the conductors.

Wiring Diagrams

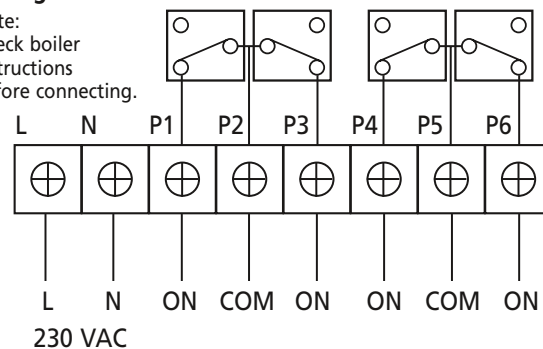
Wiring for TRT038

Note:
Check boiler instructions before connecting.



Wiring for TRT039

Note:
Check boiler instructions before connecting.

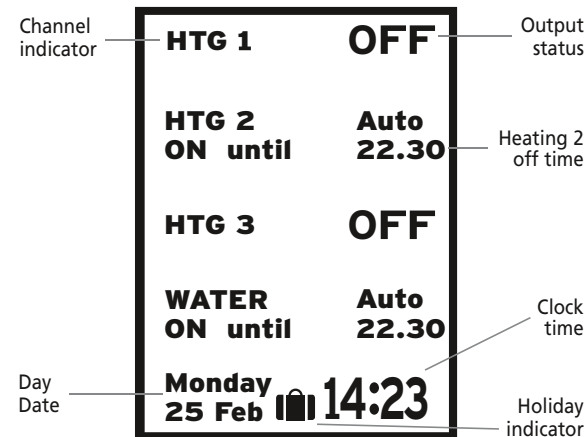


To reinstall the unit on the wall plate engage the top of the TRT038/9 over the wall plate retaining tabs (see Fig. 3), and push firmly downwards and then inwards. There will be some resistance from the terminals. Once in place, secure with the retaining screws.

Restore mains to the unit after checking all system wiring is complete.

Fig. 4

4. Operation



The TRT038/9 has a back lit LCD matrix display, which shows the 3/4 channel names and their status (back lighting occurs when any button is pressed). It shows the current day/date, and the current time. There is a suitcase symbol displayed if the unit is in holiday mode.

The programmer comes with default on/off times for each channel. These are:

Mon to Fri

Period 1, on at 6.30, off at 8.30
Period 2, on at 12.30, off at 12.30
Period 3, on at 17.00, off at 22.00.
(There is no programme 2).

Sat to Sun

Period 1, on at 8.00, off at 10.00
Period 2, on at 12.30, off at 13.30
Period 3, on at 17.00, off at 23.00
The default date is 1st January 2008,
and the default time is 00.00.

Programming:

At any time during programming, the unit will return to the operating mode if a key is not pushed for a period of 1 minute.

When programming a new unit, press the reset button, using a pen or similar implement, which will clear the memory. For subsequent programme changes resetting will not usually be necessary.

To set the correct time and date, open the right hand flap to access the programming buttons.

Press the green menu button.

Use the + and - buttons to move the blue bar to settings, and press enter.

Use the + and - buttons to move the blue bar to time and date and press enter.

Use the + and - buttons to set the hour, press enter, and use the + and - buttons to set the minutes, and press enter.

Then using the + and - buttons, set the date, press enter, set the month, press enter and then set the year.

Press menu to return to the programming screen, and again to exit programming.

In menu settings, automatic daylight saving can be disabled, (it is automatically enabled as a default), and in clock options, 24 hour or am/pm can be selected as a preference.

Changing channel headings:

The channel headings can be changed in menu > settings > headings. The options available are:
3 channels heating, 1 channel hot water.
2 channels heating, 2 channels hot water.
Zones (zone 1, zone 2, zone 3, zone 4).
Channels (chan 1, chan 2, chan 3, chan 4).

The current selection is indicated by <> around the words. Move the blue bar to highlight the required selection, and press enter. Pressing menu will return to previous menu listing, and pressing menu again will return to operating mode.

The default setting is channels.

Setting programme times:

Press menu, and then move the blue bar to highlight the desired channel. Press enter to accept that channel, and then use the + and - buttons to select the desired day to programme. Once the desired day is shown, press enter to access the programme times.

To change period 1 on, use the + and - buttons to change the on time in 10 minute steps. Holding the + or - enables the time display to increment or decrement rapidly. Once the correct on time is set, press enter to move to programming the off time for period 1.


Use the enter key to accept the times for the other periods, once they have been adjusted to the desired value.

Accepting the off period for period 3 will return the screen to the choose day option, and will index on to the next day. Now press enter and the channel 1 times will be displayed ready for programming.

There is a copy button, which can be used to copy settings from one day to another. Once say Monday channel 1 has been set, when the switching times for the next day (Tuesday) are displayed, press copy once, and it will copy the

programme settings from Monday to Tuesday. The display will briefly show the set times, and then revert to set channel 1 for Wednesday. Press copy again to copy Tuesdays settings to Wednesday if required.

Setting holiday mode:

The holiday mode suspends programmed operation for the set period. It operates from midday on the selected day of departure, until midday on the day of return. Once out of holiday mode, the programmer returns to its pre-programmed state. In holiday mode a suitcase symbol  is displayed on the screen.

It can be accessed by pressing menu, using - to select "set holiday mode" and then pressing enter. The start and end date can be programmed using the +, -, and enter buttons.

Once in holiday mode, it can be cancelled by changing the end date to the current date.

Programme overrides:

Each channel can be individually overridden, using the blue override buttons.

The options available are:
Auto (default setting) - follows programmed times.
All day - Programme starts at first on time, and is on until third off time.

ON - Constantly on until override is removed.
OFF - Constantly off until override is removed.

The override option scrolls with each press of the override button. Once the selected override is no longer required, use the override button to scroll to auto mode, to return to programmed times.

Boost function:

The boost function can be used to turn a channel on for a period of 1 or 2 hours, or it can extend an on period by 1 or 2 hours if the channel is already on. In boost mode, the boost button remains illuminated for the duration of the boost period.

If boost is used to turn a channel on, and the program for that channel would turn it on during the period of the boost, then the end time displayed will be the end of the programmed time, not the boost time.

Press boost once for one hour, twice for two hours, and 3 times to cancel.

Advance function:

The advance function will advance the program to the next change. If it is currently off, it will turn on, until the next turn off time. If it is currently on, it will turn off, until the next

programmed on time. The advance button will remain illuminated until the next change of state.

Resetting the TRT038/9:

Press the reset button under the front flap to reset the factory settings.

General information:

The TRT038/9 is fitted with a non user serviceable battery, which will retain programmed information and time/date for 24 hours in the event of a power cut. During this time, the screen will be blank. It will come back on once power is restored.

5. Specifications

Current rating:	3 (1) A
Voltage:	230V, 50Hz
Operating temperature range:	0°C to 50°C
Complies with:	BS EN 60730
Conforms to directives:	Conforms to latest directives
Micro disconnection:	Type 1.B control action
Battery back-up:	24 hour, rechargeable

For assistance with the product please contact:-

HELPLINE

020 8450 0515

or email helpline@timeguard.com



3 Year Guarantee

In the unlikely event of this product becoming faulty due to defective material or manufacture within 3 years of the date of purchase, please return it to your supplier in the first year with proof of purchase and it will be replaced free of charge. For years 2 and 3 or any difficulty in the first year telephone the helpline on **020 8450 0515**.

Note: a proof of purchase is required in all cases. For all eligible replacements (where agreed by Timeguard Ltd) the customer is responsible for all shipping/postage charges for sending replacements outside the UK.

All shipping costs are to be paid in advance before a replacement is sent.

For a product brochure please contact:

Timeguard Ltd. Victory Park, 400 Edgware Road,
London NW2 6ND Tel: 020 8452 1112

or email csc@timeguard.com

A **theben** Group company

67-058-329 (issue 2)