

theben

TR

TR 608 top2 6080100

TR 609 top2 6090100

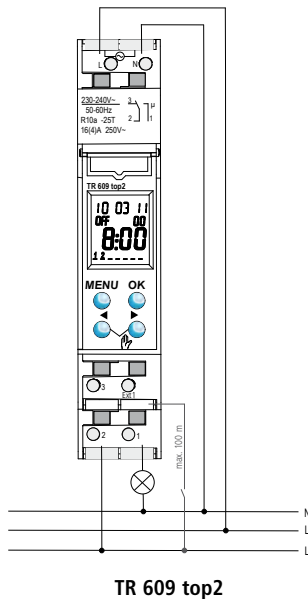
Installation and operating instructions

Digital time switch



309559 01

GB



Connection of
different external
wires is permitted

Contents

Basic safety instructions	3
Display and keys	
Operating instructions	4
Connection/installation	5
Overview of menu selection	6
Initial start-up	
Reset	7
Menu item PROGRAMM	
Program switching time	8
Check/modify switching time	10
Delete switching time	11
Pulse time programming	12
Cycle time programming	14
Menu item TIME/DATE	15
Menu item MANUAL	16
Override and permanent switching	16

Menu item OPTIONS	18
Enter PIN code	19
External input	20
OBELISK top2 memory card	22
Technical data	23
Service address/Hotline	24

Basic safety instructions



WARNING

Danger of death through electric shock or fire!

➤ Installation should only be carried out by a qualified electrician!

- The device is designed for installation on DIN top hat rails (in accordance with EN 60715)
- Corresponds to type 1 BSTU in accordance with IEC/EN 60730-2-7 / IEC/EN 60730-1
- Power reserve (10 years) is reduced if memory card is inserted (in battery operation)

Designated use

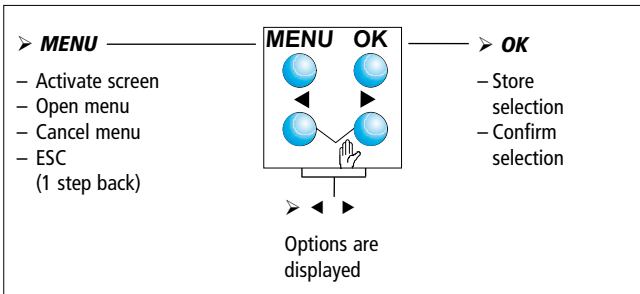
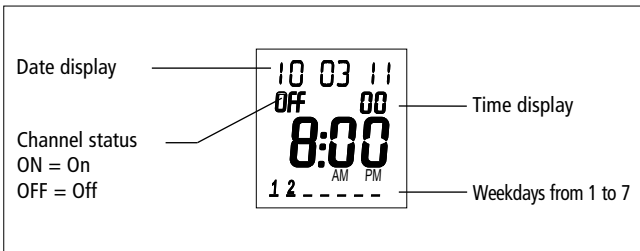
- The time switch can be used for lighting, bell systems, ventilation etc.
- Only use in enclosed dry spaces

Do not use on safety devices, e.g. escape route doors, fire safety equipment etc.

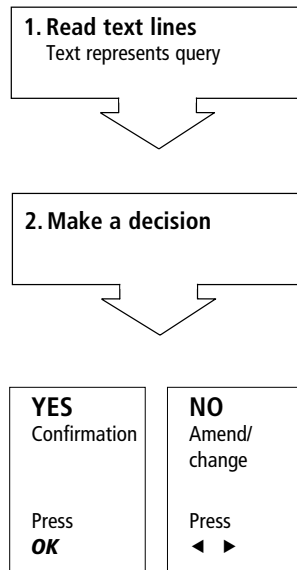
Disposal

Dispose of device and batteries separately in an environmentally sound manner

Screen and keys



Operating instructions



Connection/installation

 **WARNING**

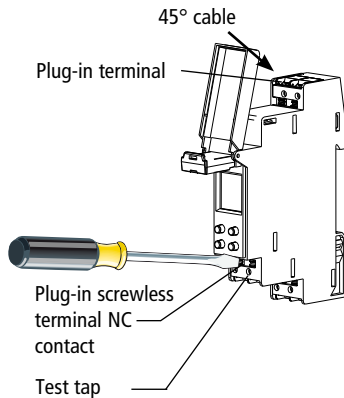


Warning, danger of death through electric shock!

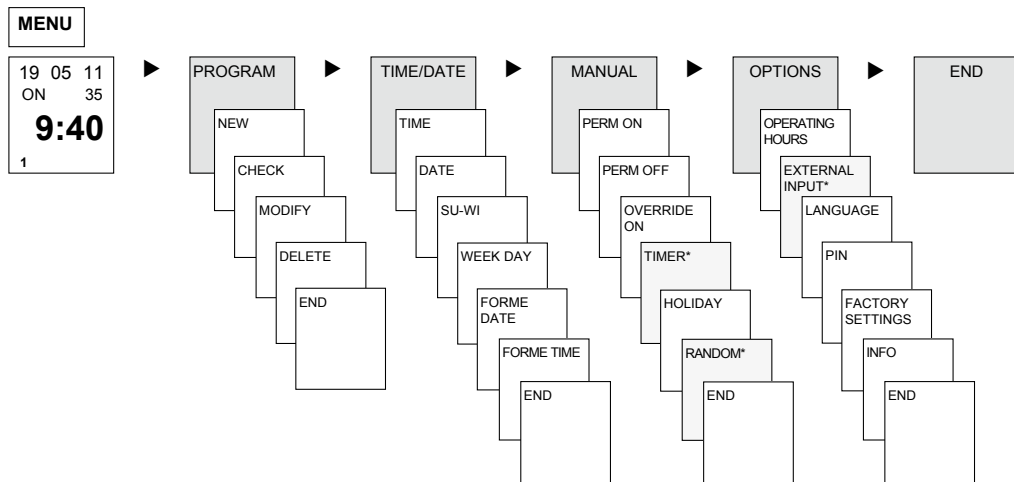
- Must be installed by qualified electrician!
- Disconnect power source.
- Cover or shield any adjacent live components.
- Ensure device cannot be switched on!
- Check power supply is disconnected.
- Earth and bypass.

Connect cable

- Strip cable by 8 mm (max. 9 mm).
- Insert cable at 45° in the open terminal (2 cables per terminal position possible).
- Only with flexible wires: To open the plug-in screwless terminal, press screwdriver downwards.



Overview of menu selection



* only with TR 609 top2

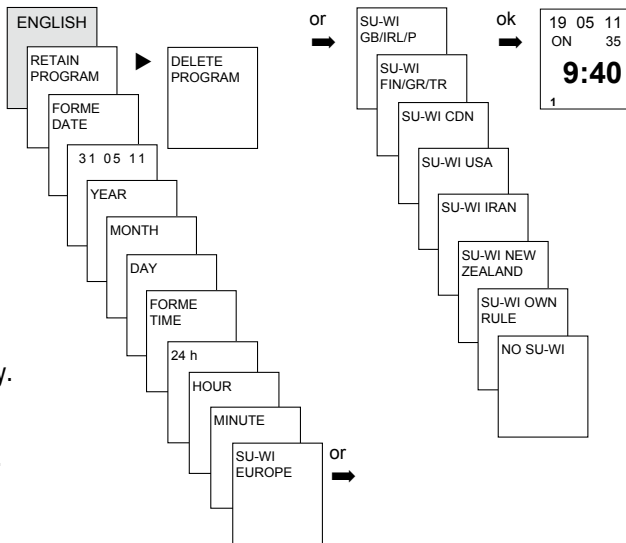
Initial start-up

Set date, time and summer/winter time rule

- Press required key and display follows on screen (see figure).

RESET

- Press the 4 buttons simultaneously. You can choose between **RETAIN PROGRAM** and **DELETE PROGRAM**.



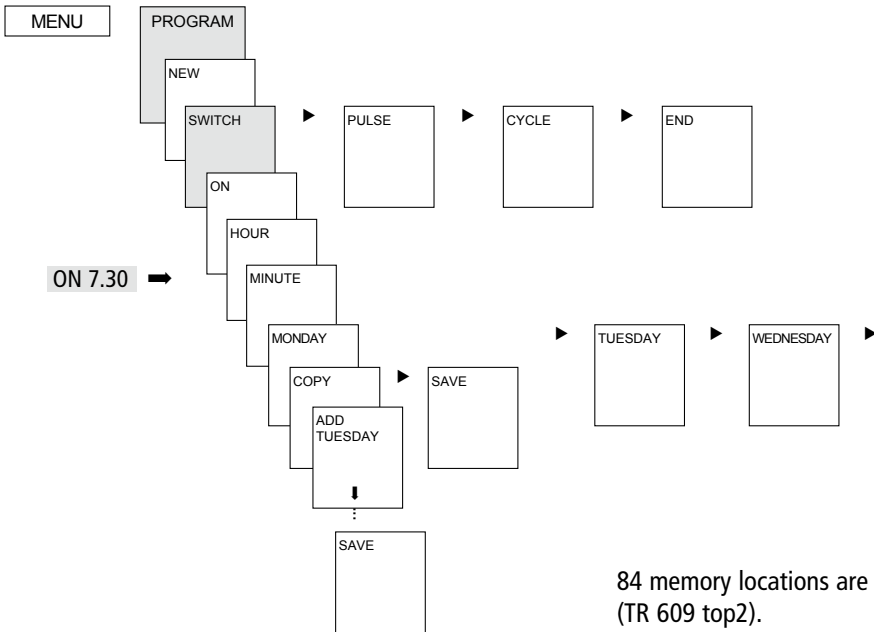
PROGRAM

Program switching time

Example: Switch on sports hall lighting from Mon–Fri, 7:30 to 12:00 hrs

- Press **MENU**. **PROGRAM** is displayed.
- Confirm by pressing **OK**. **NEW** is displayed.
- Confirm by pressing **OK**. **SWITCH** is displayed.
- Confirm by pressing **OK**. Select **ON** (for switch-on times).
- Confirm by pressing **OK**. The display shows **HOUR**.
- Use the + or – keys to enter hour, minute, (07:30) and confirm by pressing **OK**. **MONDAY** is displayed.
- Confirm by pressing **OK**. **COPY** is displayed.
- Confirm by pressing **OK**. **ADD TUESDAY** is displayed.
- Confirm by pressing **OK** and also confirm the days Wed, Thurs, Fri by pressing **OK**.
- Continue with ► to **SAVE** is displayed. Confirm by pressing **OK**.

Repeat all steps for the switch-off time however instead of selecting ON with ► select OFF and enter 12:00 for hour and minute.



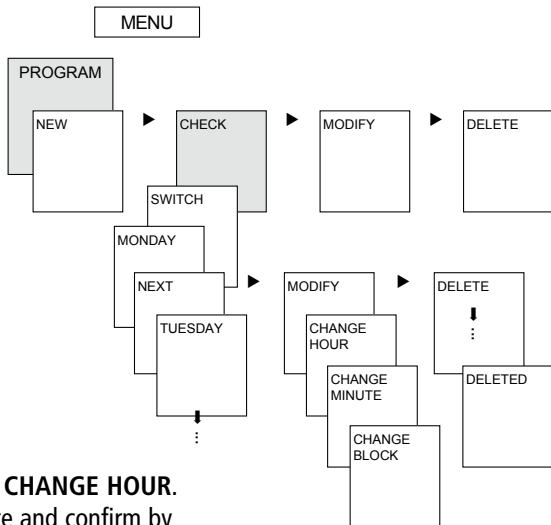
84 memory locations are available
(TR 609 top2).

Check/modify switching time

- Press **MENU**. **PROGRAM** is displayed.
- Confirm by pressing **OK**. **NEW** is displayed.
- Use **▶** to select **CHECK**.
- Confirm by pressing **OK**.
- Confirm **SWITCH** by pressing **OK**.
The first of the entered switching times is displayed.
- Confirm by pressing **OK**. **NEXT** is displayed.

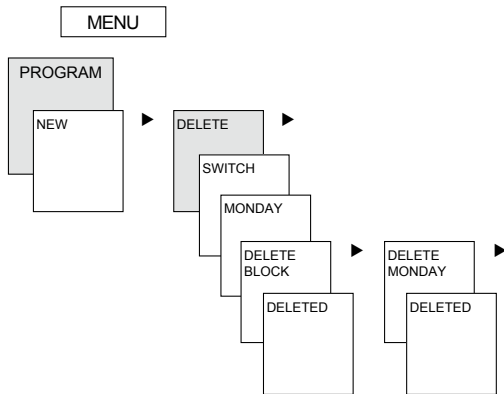
Change individual switching times

- Press **▶** to select **MODIFY**.
- Confirm by pressing **OK**. The display shows **SWITCH**.
- Confirm by pressing **OK**. The display shows the first time switch **MONDAY**.
- Confirm by pressing **OK**. The display shows **CHANGE HOUR**.
- Use the **+** or **-** keys to enter hour and minute and confirm by pressing **OK**.



Delete switching time

- Press **MENU**.
PROGRAM is displayed.
- Confirm by pressing **OK**. **NEW** is displayed.
- Press **▶** to select **DELETE**.
- Confirm by pressing **OK**. The display shows **SWITCH**.
- Confirm by pressing **OK**.
MONDAY is displayed.
- Confirm by pressing **OK**. The display shows **DELETE BLOCK**.
- Confirm by pressing **OK**. The display shows **DELETED**.

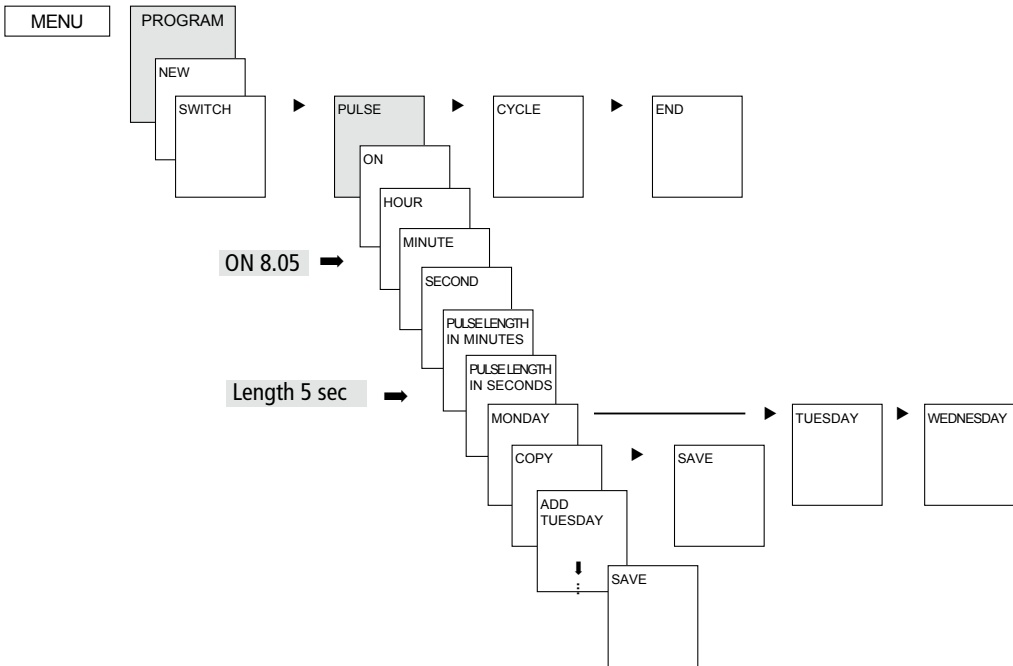


With **▶ CLEAR MONDAY** etc. individual days can also be cleared.

Pulse time programming (only with TR 609 top2)

Example: Switch on pause signal on Monday 8:05 hrs for 5 sec

- Press **MENU**. **PROGRAM** is displayed.
- Confirm by pressing **OK**. **NEW** is displayed.
- Confirm by pressing **OK**. **SWITCH** is displayed.
- Select **PULSE** by pressing **▶**.
- Confirm by pressing **OK**. **ON** is displayed.
- Confirm by pressing **OK**. The display shows **HOUR**.
- Use the + or – keys to enter hour, minute, second (8:05) and confirm by pressing **OK**. **PULSE LENGTH** is displayed.
- Use the + or – keys to enter the duration of the pulse in minutes and seconds (5 sec).
- Confirm by pressing **OK**. **MONDAY** is displayed.
- Confirm by pressing **OK**. **COPY** is displayed.
- Press **▶** to select **SAVE**.
- Confirm by pressing **OK**.



Cycle time programming

In addition to switch-on and switch-off times (switching time) and short time pulses (pulse) cycle times (cycle) can also be programmed. The pulse length (+ pulse pause) is limited to 17 hrs, 59 min, 59 sec

- Cycle times refers to cyclically repetitive time functions such as fan controls, urinal rinses etc.

Example: Switch on water rinsing Monday from 8:00 to 20:30 hrs every 15 min for 20 sec (8:00⁰⁰–8:00²⁰ On; 8:15⁰⁰–8:15²⁰ On; 8:30⁰⁰–8:30²⁰ On etc.)

Cycle programming

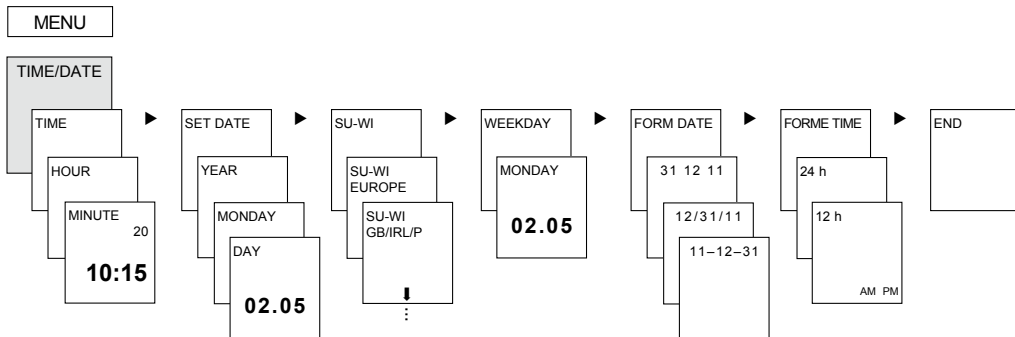
- Start cycle: Monday 8:00 hrs
- Pulse length: 20 sec
- Pause length: 14 min 40 sec
- Cycle end: Monday 20:30:00 hrs

- Observe the number of maximum electrical switching cycles when using the ,cycle' function.

TIME/DATE

In the menu TIME/DATE the TIME, DATE, SUMMER WINTER RULE, WEEKDAY etc. can be entered/changed in the submenus.

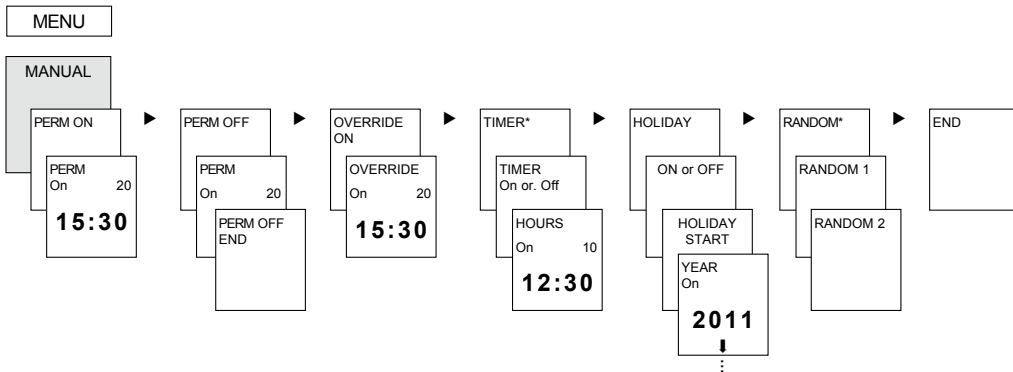
➤ Press **MENU** using ► select **DATE/TIME** and follow the indications on the display.



MANUAL

In the MANUAL menu manual switch functions are applied. In the submenus MANUAL, PERMANENT ON/OFF, TIMER*, HOLIDAY, RANDOM the manual switching can be activated/programmed.

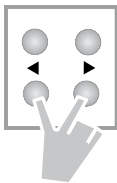
➤ Press **MENU** using ► select **MANUAL** and follow the indications on the display.



* only with TR 609 top2

Override and permanent switching

Override and permanent switching can be set using the menu in **MANUAL** or in normal mode (automatic screen) by direct keystroke (see figures).



Activate override

- Briefly press key.

Activate permanent switching

- Press key for 2 sec.

Cancel override/permanent switching

- Briefly press key again.

Override

Reversing the channel status to the next automatic or programmed switching.

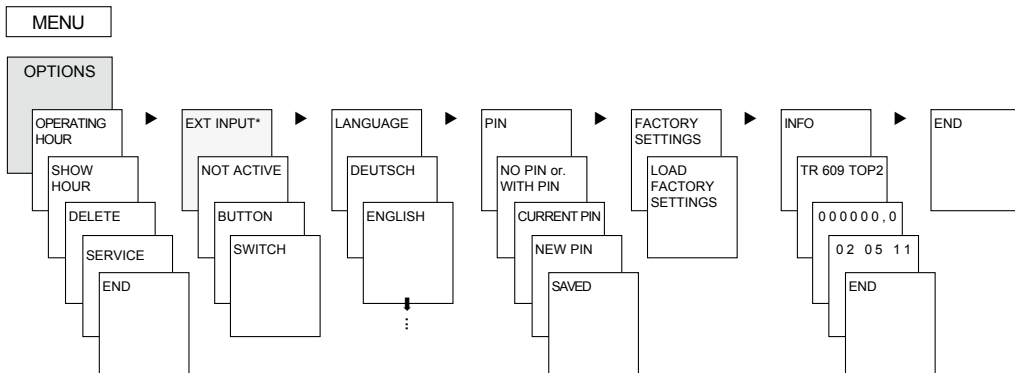
Permanent switching

As long as a permanent switching (on or off) is activated, the programmed switching times are ineffective.

OPTIONS

In the menu OPTIONS the submenus OPERATING HOUR, LANGUAGE, PIN, EXTERNAL INPUT, FACTORY SETTINGS as well as INFO can be requested.

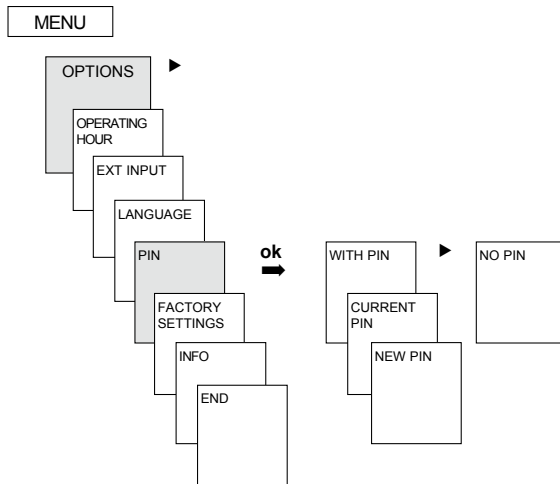
➤ Press **MENU** using ► select **OPTIONS** and follow the indications on the display.



* only with TR 609 top2

Enter PIN code

The **PIN-Code** is set in **OPTIONS** via the menu. If you have forgotten your PIN call the Theben Hotline.



External Input (only with TR 609 top2)

For the channel an **EXTERNAL INPUT** (see figure) can be set with different functions.

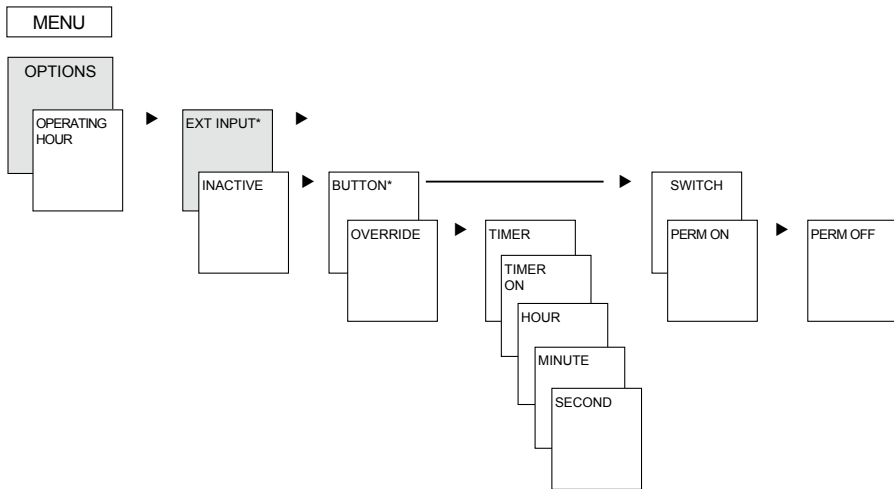
➤ Press **MENU** using ► select **EXT INPUT** and follow the indications on the display.

3 submenus can be selected: Inactive, push button (function), switch (function)

- **INACTIVE:** The external input has no function
- **PUSH BUTTON:** Override (manual switching), timer (Countdown timer) can be selected.
- **SWITCH:** Permanently on, permanently off can be selected.

Note:

If a function is activated via an external push button or switch, **EXTERNAL** is displayed.

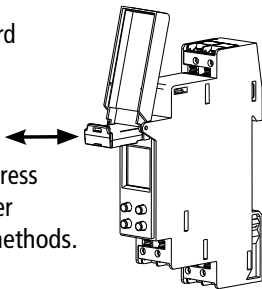


* Use push button without glow lamp

OBELISK top2 memory card

Use memory card (see fig.)

- Insert memory card in the time switch.
- Read / read out saved switching times and device settings in the time switch or start Obelisk program.
- Remove memory card OBELISK top2 (No. 9070404) after copying
- Avoid mechanical stress or dirtying with other storage/transport methods.

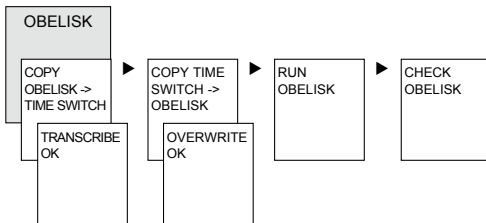


Copy OBELISK → Time switch

This copies the switching program (all standard and special programs) and optionally all time switch (e.g. Position, offset, external input, time format etc..) from the memory card in the time switch.

Copy TIME SWITCH → OBELISK

This copies all switching programs and settings from the time switch to the memory card



Technical data

- Operating voltage: 230–240 V~, +10 %/-15 %
- Frequency: 50–60 Hz
- Power consumption: ca. 0,4 W
- Standby min.: ca. 0,4 W
- Switch output: switching of choice of external wires is permitted
- Contact: two way switch
- Gap: <3 mm (μ)
- Contact material: AgSnO₂
- Max switching capacity: 16 A, 250 V~, $\cos \varphi = 1$;
4 A, 250 V~, $\cos \varphi = 0,6$
- Min. switching capacity: 10 mA/230 V AC
100 mA/12 V AC/DC
- Incandescent lamp load: 1000 W
- Halogen lamp load: 1000 W
- Fluorescent lamp load: uncorrected,
series corrected 1000 VA
parallel correction 120 W (18 μ F)
- Compact fluorescent lamps: 40 W
- LED lamps: <2 W output, max. connection total of 10 W,
>2 W < 8 W output, max. connection total of 25 W
- Permissible ambient temperature: -25 °C ... +55 °C
- Protection class: II in accordance with EN 60730-1 subject to designated installation
- Protection rating: IP 20 nach EN 60529
- Time accuracy: $\leq \pm 0,5$ s/day at 25 °C
- Power reserve: 10 years (lithium cell) at +20 °C
- Pollution degree: 2
- Rated impulse withstand voltage: 4 kV
- Max. switching cycles with 16 A resistive load: 50,000

Service address/Hotline

Service address

Theben AG

Hohenbergstr. 32

72401 Haigerloch

GERMANY

Telephone +49 (0) 74 74/6 92-0

Fax +49 (0) 74 74/6 92-150

Hotline

Telephone +49 (0) 74 74/6 92-369

Fax +49 (0) 74 74/6 92-207

hotline@theben.de

Addresses, telephone numbers etc.

www.theben.de

The current OBELISK top2 PC software and the online version of the operating manual are available at **www.theben.de**