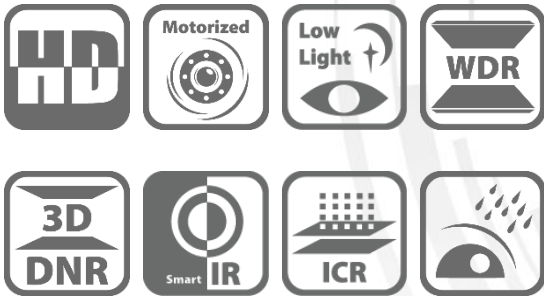


THC-B323-Z 2 MP EXIR VF Bullet Camera



Key Features

- 2 MP high-performance CMOS
- Ultra low light
- 1920 × 1080 resolution
- 2.7 mm to 13.5 mm varifocal lens
- OSD menu, 3D DNR, 120 dB true WDR, day/night switch
- EXIR 2.0, smart IR, up to 70 m IR distance
- 4 in 1 video output (switchable TVI/AHD/CVI/CVBS)
- IP66

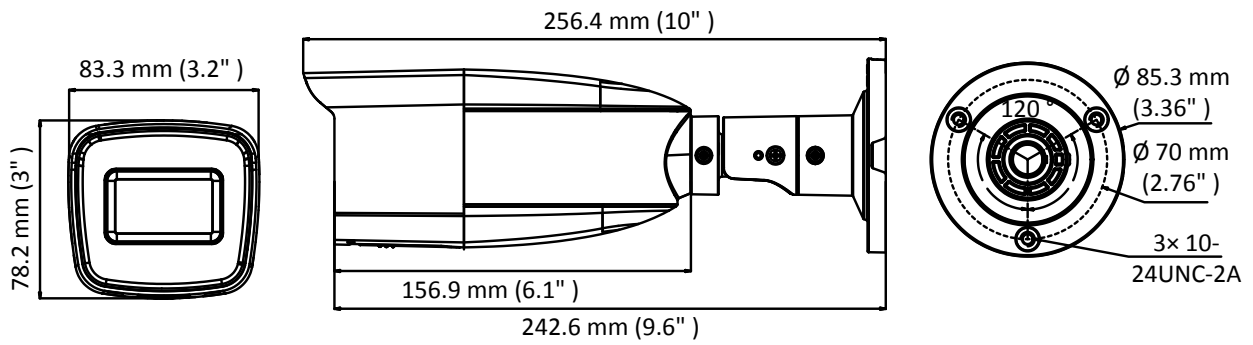
Specifications

Camera	
Image Sensor	2 MP CMOS image sensor
Signal System	PAL/NTSC
Video Frame Rate	PAL: 1080p@25fps NTSC: 1080p@30fps
Resolution	1920 (H) × 1080 (V)
Min. Illumination	0.005 Lux@(F1.2, AGC ON), 0 Lux with IR
Shutter Time	PAL: 1/25 s to 1/50, 000 s NTSC: 1/30 s to 1/50, 000 s
Slow Shutter	Max. 16 times
Lens	2.7 mm to 13.5 mm
Horizontal Field of View	102.4° to 31°
Lens Mount	Φ14
Day & Night	IR cut filter
Angle Adjustment	Pan: 0° to 360°, Tilt: 0° to 90°, Rotation: 0° to 360°
Synchronization	Internal synchronization
WDR (Wide Dynamic Range)	120 dB
Menu	
AGC	High/Medium/Low
D/N Mode	Auto/Color/BW (Black and White)
HLC	Support
BLC	Support
WDR	Support
Language	English
Functions	Brightness, Sharpness, 3D DNR , Mirror, Smart IR
Interface	
Video Output	1 HD analog output
Switch Button	TVI/AHD/CVI/CVBS
General	
Operating Conditions	-40 °C to 60 °C (-40 °F to 140 °F), Humidity: 90% or less (non-condensation)
Power Supply	12 VDC ±25% <i>*You are recommended to use one power adapter to supply the power for one camera.</i>
Power Consumption	Max. 7.7 W
Protection Level	IP66
Material	Metal
IR Range	Up to 70 m
Dimensions	256.4 mm × 83.3 mm × 78.2 mm (10" × 3.2" × 3")
Weight	Approx. 720 g (1.59 lb.)

Order Model

THC-B323-Z

Dimension



Accessories

