

SWITCHING MODE POWER SUPPLIES

12V DC - 3 and 5 A - with battery backup

- Information report (low battery and no mains)
- Locking of box by key
- Embedded self-protection
- Protection by electronic fuse (PTC)
- 3 LEDs on front



AD1203R

AD1205R

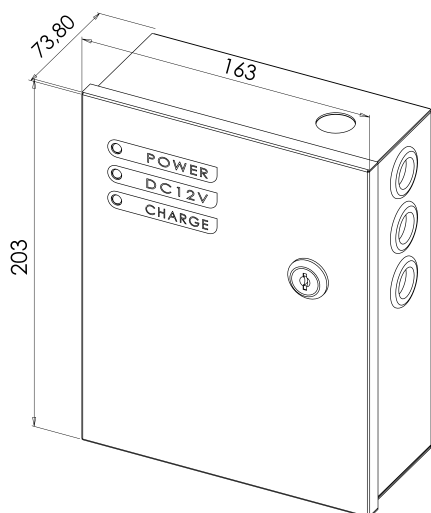
PRODUCT FEATURES

References	V IN	V OUT	I (A)	W	°C	IP
AD1203R	110V - 240V AC	12V DC	3 A	36 W	0 +40 °C	40
AD1203GR	110V - 240V AC	12V DC	3 A	36 W	0 +40 °C	40
AD1205R	110V - 240V AC	12V DC	5 A	60 W	0 +40 °C	40
AD1205GR	110V - 240V AC	12V DC	5 A	60 W	0 +40 °C	40

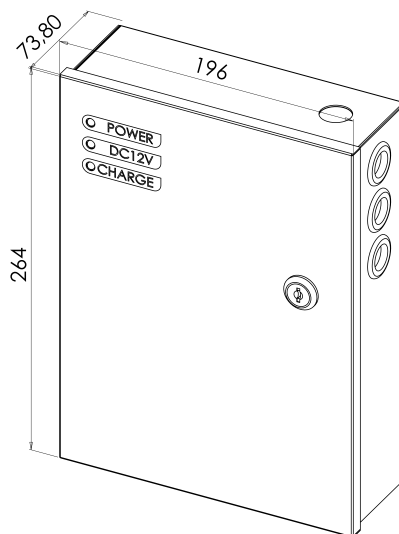


Information report (low battery and no mains)

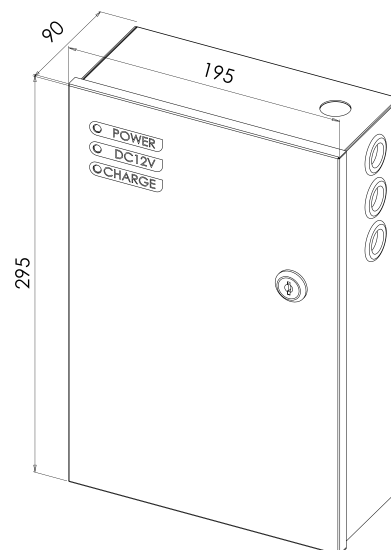
Item Code	Description	Weight in kg	Custom code
AD1203R	Switching mode power supply 12V DC 3 A with output relay	0,982	85044090
AD1203GR	Switching mode power supply 12V DC 3 A with output relay - large box	1,811	85044090
AD1205R	Switching mode power supply 12V DC 5 A with output relay	1,383	85044090
AD1205GR	Switching mode power supply 12V DC 5 A with output relay - large box	1,88	85044090



AD1203R



AD1205R



AD1205GR

