

TECHNICAL DATASHEET

SYCALL RESET GLOW

Single Pole

RESETTABLE CALL POINTS

The Sycall Reset-Glow series of resettable manual call points mimics the feel of breaking glass whilst offering the user benefits and environmental advantages of a resettable operating element.

Internal and weatherproof units are available and all variants can be easily identified by an alarm flag which rises into view upon activation.

The optional in-built LED ring illuminates the central operating window of the Series 01 when operated.

FEATURES

- Clean contact or choice of 470 Ω or 680 Ω series resistors in the same model
- Aesthetically appealing design
- Approved to EN 54 Part 11 (Red Only)
- Resettable Element
- Optional highly visible LED Light ring when activated
- Luminescent element visible for up to 8 minutes

APPROVALS (Red Sycall Call Point Only)



PART NUMBERS

- SY-RD01 Series 01, Red, Dual Mounting (Flush or Surface)
- SY-GD01 Series 01, Green, Dual Mounting (Flush or Surface)
- SY-YD01 Series 01, Yellow, Dual Mounting (Flush or Surface)
- SY-WD01 Series 01, White, Dual Mounting (Flush or Surface)
- SY-BD01 Series 01, Blue, Dual Mounting (Flush or Surface)

ACCESSORIES

- SY-PC01 Sycall Hinged Protective Cover
- SY-FMP01 Sycall Flush Mounting Plate
- SY-NIU01 Sycall "Not in Use" Label

PROTECTIVE COVERS

- SG-FS-# Smart+Guard Cover, Flush, With Sounder
- SG-SS-# Smart+Guard Cover, Surface, With Sounder
- SG-F-# Smart+Guard Cover, Flush, No Sounder
- SG-S-# Smart+Guard Cover, Surface No Sounder

For full product code replace # with:

- R = Red
- G = Green
- Y = Yellow
- W = White
- B = Blue

SYCALL RESET GLOW



SPECIFICATION

Maximum Voltage	30 V dc
Minimum Voltage*	4.5 V dc if LED with R1 is chosen 6.0 V dc if LED if R2 is chosen
Current Rating (non activated)	0 mA
Current Rating (activated)	18 mA @ 12 V dc -R1 13 mA @ 12 V dc -R2 45 mA @ 24 V dc -R1 31 mA @ 24 V dc -R2
Cable Termination	0.5 2.5 mm ²
Operating Temperature	-30 to +70 ⁰ C
Humidity	0-95%
IP Rating	IP42
Material	ABS/Polycarbonate/PA6+Glass Fibre

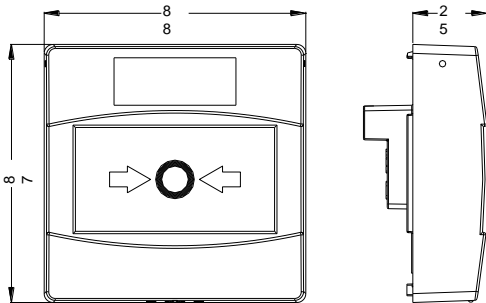
* LED may be low output or not operate below minimum voltage

SMART+GUARD

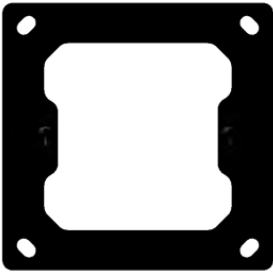


TECHNICAL DATASHEET
SYCALL RESET GLOW
 RESETTABLE CALL POINTS

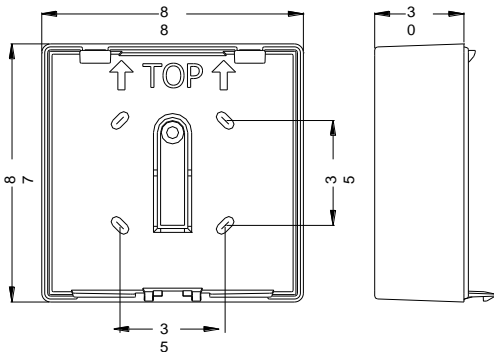
INSTALLATION



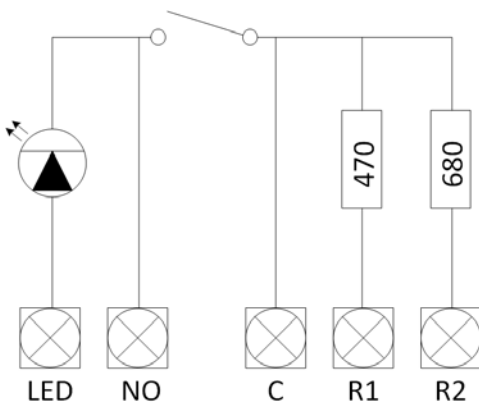
Flush Mount



Flush Mounting Plate



Surface Mount



Terminal Layout

DS/3700093/ISS2

We reserve the right to change or amend any design or specification in line with our policy of continuing development and improvement.

Vimpex LTD
 Star Lane, Great Wakering,
 Essex SS3 0PJ, UK
 t. +44 (0) 1702 216999
 e. sales@vimpex.co.uk
www.vimpex.co.uk

Vimpex Interguard AB
 t. +46 (0) 36 37 10 65
 e. sales@vimpex.se

