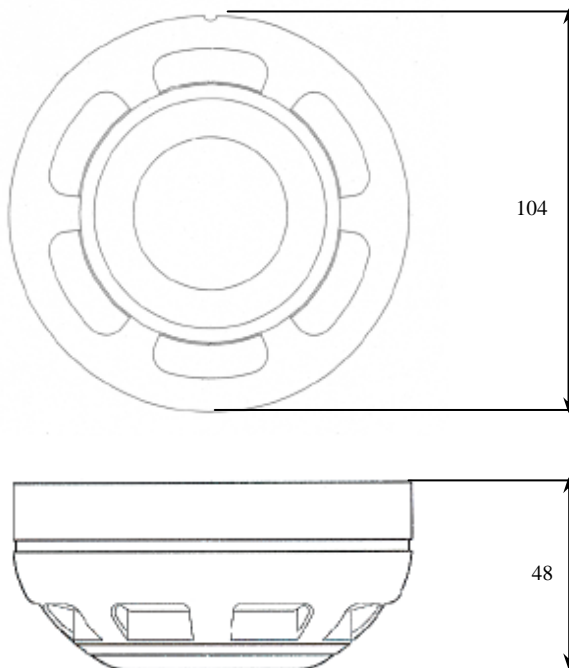


TECHNICAL DATASHEET

Part Numbers and Product Order Codes:-

| | | | |
|-------------------------------------------|-----------|---|------------------------------------------------------------------------|
| Part Number | - - - - - | - | ST-PY-AS |
| Description | - - - - - | - | Analogue Addressable Optical Sensor. |
| Computer Reference Number | | | |
| Nittan Standard | - - - - - | - | F14C82100 |
| Technical Specifications:- Protocol | - - - - - | - | Nittan 'AS' Protocol |
| Sensor Method | - - - - - | - | Light Scatter |
| Sensor Element | - - - - - | - | IR Diode |
| Operating Voltage | - - - - - | - | 16V d.c. to 28V d.c. |
| System Voltage | - - - - - | - | 24V d.c. |
| Quiescent Current | - - - - - | - | 500µA |
| Alarm Current | - - - - - | - | 5mA |
| Current for external remote LED indicator | - - - - - | - | 2mA |
| Operating Temperature | - - - - - | - | - 10°C to + 55°C |
| Storage Temperature | - - - - - | - | - 20°C to + 60°C |
| Charging Time | - - - - - | - | 20 Seconds |
| Relative Humidity | - - - - - | - | ≤ RH95% non-condensing. |
| I.P. Protection Rating | - - - - - | - | IP42 |
| Addressing Method | - - - - - | - | Soft addressing, Non-Volatile EEPROM. |
| Material | - - - - - | - | ABS |
| Dimensions | - - - - - | - | ∅104mm x 33mm (Sensor head) ∅104mm x 48mm (Sensor head and UB-6-EV) |
| Mass | - - - - - | - | 105g (Sensor head) 170g (Sensor head and UB-6-EV base) |
| EMC Conformance | - - - - - | - | EMC conformance to BSEN50130-4. |
| CPR Number | - - - - - | - | 0832-CPR-F0403 |
| Standards / Certification | - - - - - | - | EN54-7 / LPCB 041 |
| DoP Number | - - - - - | - | F0403 |

All wiring must conform to the current edition of IEE Wiring regulations and BS5839 Part 1
 All loop Cable Screens shall be connected together, but must be Isolated from Ground. Cable Screens shall be connected to Earth Ground within the Control Panel ONLY.



Base :
 UB-4
 UB-4-EV
 UB-6-EV
 STB-4SE-EV

