



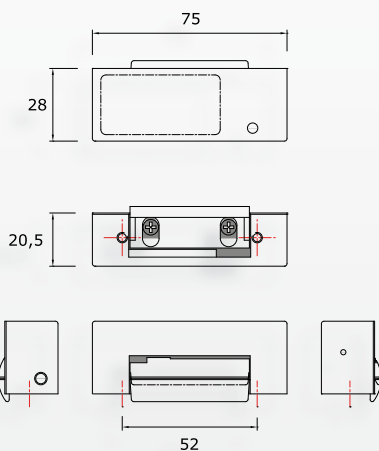
DIAx STRIKES

▶ A LARGE RANGE OF STRIKES SUITABLE FOR ALL YOUR NEEDS

SP Symmetrical strikes monitored



SPR12



- **Monitored.**
- **Terminal block.**
- **Symmetrical.**
- **Reversible.**
- **Mortice.**
- **Compact.**
- **Adjustable jaw.**
- **Fail-secure or fail-safe.**
- **Faceplate options (Page 222):**
 - "T11",
 - "T290".
- **Built-in varistor (Electronic protection to eliminate back EMF).**
- Dimensions (L x W x D): 75 x 20.5 x 28mm.
- Electric strike for doors opening to left or to right.
- Adjustable jaw (tolerance of 4mm).
- Input voltage: 12V or 24V (according to model).
- "Fail-secure" ac/dc consumption:
 - 12V ac = 540mA,
 - 12V dc = 630mA.
- "Fail-secure" consumption (dc), CC type** (direct current):
 - 12V dc = 380mA.
 - 24V dc = 190mA.
- "Fail-safe" consumption (only for the SPIR version):
 - 12V dc = 200mA.
 - 24V dc = 100mA.

Recommended power supplies



ELECTRONIC PROTECTION TO ELIMINATE BACK EMF (VARISTOR SUPPLIED)



ADJUSTABLE JAW 4MM



VARISTOR INCLUDED



CODE	REFERENCE	DESCRIPTION
F050200041	SPR12	FAIL-SECURE SYMMETRICAL STRIKE TIMED RELOCK 12V AC/DC ⁴
F050200044	SPR12CC	FAIL-SECURE SYMMETRICAL STRIKE TIMED RELOCK 12V DC (CONTINUOUS DUTY) ⁴
F050200042	SPR24CC	FAIL-SECURE SYMMETRICAL STRIKE TIMED RELOCK 24V DC (CONTINUOUS DUTY) ⁴
F050200040	SPIR12	FAIL-SAFE SYMMETRICAL STRIKE 12V DC ⁴
F050200043	SPIR24	FAIL-SAFE SYMMETRICAL STRIKE 24V DC ⁴

* Refer to Limited Lifetime Warranty Conditions.
 ** CC Type: For unlocked door or continuous duty.

1 - Holding work
 2 - Holding work
 3 - Switch latch position lever
 4 - Latch position switch