

## S-Quad Multi-Sensor with Integrated Sounder and Visual Alarms Device (VAD)

S-Quad's Multi-sensor with integrated sounder and VAD combines renowned advanced sensing technology with state of the art visual alarms. The only practical solution meeting the demands of detection and the performance needed to meet the EN54 part 23 standard.

### VAD colour and performance variants

- High intensity option with three intensity settings to achieve maximum flexibility for different room coverage, optimising loop coverage
- Standard intensity option also available
- White VADs use a multi-die LED with a 'Day White' colour
- Red VADs use multiple red LEDs giving a true red colour

### Voice messages

The speech function is provided by stored messages on a non-volatile flash memory component. This audible output from the flash memory can hold up to 20 seconds of speech. There is also the capability to provide complex tones, such as bell and DIN tones. Each sensor includes four standard messages with the component, which are as follows:

- Alert Message: (Female Voice) **"An incident has been reported in the building, please await further instructions"**
- Alarm Message 1: (Female Voice) **"Attention please, this is an emergency please leave the building by the nearest available exit"**
- Alarm Message 2: (Male Voice) **"This is a Fire Alarm! Please leave the building immediately by the nearest available exit"**
- Test Message: (Female Voice) **"This is a test message, no action is required"**



### Description

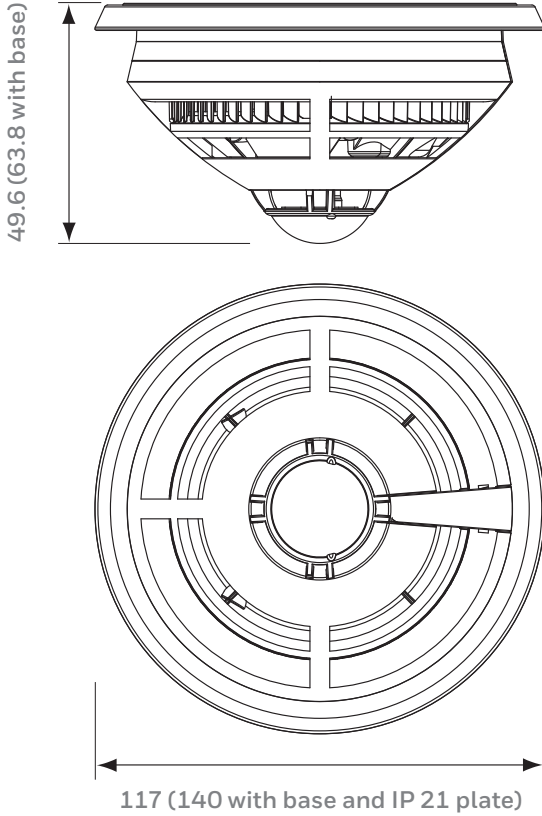
*The S-Quad Multi-Sensor with Integrated Sounder and Visual Alarms Device (VAD) offers a unique combination of S-Quad Sensor Sounder Technology and EN54 - 23 Visual Alarms.*

## KEY FEATURES

- Sensor and alarm in one device reduces installation time and cost. Built-in high intensity VAD helps alert occupants in noisy environments as well as the hard of hearing
- Meets all the requirements of the Equality Act 2010
- Compatible with the S-Cubed wall mounted VAD
- State of the art, high efficiency visual alarm technology
- Advanced power management that increases loop capacity and integrity
- Range of devices and power settings to suit widest range of building applications
- Light output that allows devices to be sited at standard smoke and heat detector spacings
- Synchronised flash rate across the whole control panel avoiding risk of induced seizures
- VAD can operate independently of the sounder if required
- Meets the requirements of BS5839 part 1 relating to sensitivity to epilepsy

# S-Quad Multi-Sensor Technical Specifications

## Dimensions (mm)



SPECIFICATION						
INGRESS PROTECTION	IP 21 – when used with IP Sensor Base S4-701					
APPROX WEIGHT	0.11Kg (0.17Kg with base)					
OPERATING TEMPERATURE	-10°C to +50°C					
EN54 CERTIFICATION	Smoke Part 7	Heat Part 5	VAD Part 23	Sounder & Voice Sounder Part 3	Isolator Part 17	Input/ Output Part 18
QUANTITY OF SOUNDER VADS PER LOOP*	HIGH PERFORMANCE VISUAL ALARMS			STANDARD PERFORMANCE VISUAL ALARMS		
	High Intensity up to 45	Medium Intensity up to 60	Low Intensity up to 100	up to 100		

\*Loop Quantities are for guidance only and are maximum values. Verification with Vigilon loop load calculator is necessary.

\*\* High output turbo mode available

HIGH PERFORMANCE WHITE VISUAL ALARMS				
S4-711-VAD-HPW	O <sup>2</sup> H Sensor – White VAD	<b>High Intensity</b> C-6-16	<b>Medium Intensity</b> C-3-14 (Also Open Category) C-5-14	<b>Low Intensity</b> C-3-10.8 (Open category C-4-10.8)
S4-711-V-VAD-HPW	O <sup>2</sup> H Voice Sensor Sounder – White VAD			
S4-720-V-VAD-HPW	Heat Voice Sensor Sounder – White VAD			
S4-911-V-VAD-HPW	O <sup>2</sup> HCO Voice Sensor Sounder – White VAD			

HIGH PERFORMANCE RED VISUAL ALARMS				
S4-711-VAD-HPR	O <sup>2</sup> H Sensor – Red VAD	<b>High Intensity</b> C-3-14 (Also Open Category C-4.5-14)	<b>Medium Intensity</b> C-3-13 (Also Open Category C-4-13)	<b>Low Intensity</b> C-3-10
S4-711-V-VAD-HPR	O <sup>2</sup> H Voice Sensor Sounder – Red VAD			
S4-720-V-VAD-HPR	Heat Voice Sensor Sounder – Red VAD			
S4-911-V-VAD-HPR	O <sup>2</sup> HCO Voice Sensor Sounder – Red VAD			
S4BK-711-V-VAD-HPR	O <sup>2</sup> H Voice Sensor Sounder – Red VAD (Black Body)			

STANDARD PERFORMANCE VISUAL ALARMS		
S4-711-V-VAD-LPW	S-Quad Dual Optical Heat Sensor Voice Sounder Standard Power – White VAD	<b>Fixed Intensity</b> C-3-10
S4-711-V-VAD-LPR	S-Quad Dual Optical Heat Sensor Voice Sounder Standard Power – Red VAD	

INSTALLATION BASES*	
S4-700	Standard S-Quad Base
S4-705	IP 21 Mounting Plate (Pack of 5)
S4-701	S-Quad Base IP 21 Kit
S4BK-705	S-Quad IP21 Mounting Plate (Black, Pack of 5)

\*S-Quad VADs must be installed with IP 21 mounting plates to achieve compliance to EN54-23.

Please note: If you require detailed information regarding light coverage please refer to the S-Quad Data and Installation Guide available from Gent Expert and InfoPoint.

## For more information

[www.gent.co.uk](http://www.gent.co.uk)

## Honeywell Gent

140 Waterside Road  
Hamilton Industrial Park,  
Leicester, LE5 1TN  
Telephone: 0116 246 2042  
E-mail: [gentenquiry@honeywell.com](mailto:gentenquiry@honeywell.com)

Content subject to change without notice.

GEN139 | 01/2017  
© 2016 Honeywell International Inc.

**Honeywell**  
GENT