

# Vigilon S<sup>3</sup> Alarm Devices



The S-cubed range of alarm sounders incorporate sound speech and strobe effects all in one range of alarm devices. The range offers all variants in the choice of 2 colours red or white with either a shallow base version sealed to IP31 or a deep base version sealed to IP65. All the low profile sounders have the option of an integral strobe which is completely loop powered.

With the introduction of voice enhanced sounders into the Vigilon range we now have the option of having a S-cubed loop powered bell sound for the first time as well as standard speech messages.

As an aid to commissioning there is the option to use the HandiLink IR remote control to turn on individual sounders and adjust the volume remotely. This means physical access is not required to make this adjustment and is only active during the commissioning process. Password access at the control panel is required to enable this feature so it is not possible to make this adjustment accidentally or maliciously.

## Technical Specification - 1.0 Tone and Voice Sounders

Type	System Sounder			Low Profile		
	Standard Tone	Voice Enhanced	Inc Bell Sound	Standard Tone	Voice Enhanced	Inc Bell Sound
Max Quantity per Loop	200	200	70	200	200	70
Device Load Factor	5	5	13	5	5	13
Ingress Protection	IP65C with Deep Base			IP31C with Shallow Base		
Approx Weight	0.3Kg	0.3Kg	0.3Kg	0.3Kg	0.3Kg	0.3Kg
Operating Temperature	-10°C to 50°C	-10°C to 50°C	-10°C to 50°C	-10°C to 50°C	-10°C to 50°C	-10°C to 50°C
Relevant Standards (Sounder only)	EN54: Pt 3	EN54: Pt 3	EN54: Pt 3	EN54: Pt 3	EN54: Pt 3	EN54: Pt 3
Sound Output at 1m	103 dBA ± 2dBA	103 dBA ± 2dBA	100 dBA ± 2dBA	100 dBA ± 2dBA	100 dBA ± 2dBA	100 dBA ± 2dBA
IR Control Operating Distance	3m	3m	3m	3m	3m	3m
Approvals	LPCB Applied for					

- Very low power consumption means more sounders per loop e.g 200 system sounders per loop compared to 40.
- The strobe option is equivalent to a standard 3w xenon strobe and uses 1/20th of the power
- The strobe element of the sounders is fully monitored for circuit failures
- The sounder tones are programmed in exactly the same way as the existing Vigilon sounders
- Loop powered voice enhanced sounders are available in the range
- 4 voice phrases and a bell sound are available as standard
- By using the bell sound in the voice sounder it is possible to have a loop powered bell.
- The sound producing element in the voice sounders is monitored every hour using a VLF tone
- Voice and Tone mode can be freely mixed within the same sounder
- All messages and strobe signals are synchronised across loops in the same control panel
- A backwards compatible version of the system sounder is available for replacement or expansion to existing systems, avoiding the need to upgrade panel software
- The HandiLink remote control makes it much easier to adjust the sounders in situ
- Products incorporate innovative design features for which multiple patents are pending



GENT

# Vigilon S<sup>3</sup> Alarm Devices

## Standard Voice Messages

- 1) Alert Message (female voice)  
"An incident has been reported in the building, please await further instructions"
- 2) Alarm Message 1 (female voice)  
"Attention please, this is an emergency please leave the building by the nearest available exit"
- 3) Alarm Message 2 (male voice)  
"This is a fire alarm! Please leave the building immediately by the nearest available exit"
- 4) Test Message (female Voice)  
"This is a test message, no action is required"

## Order Codes

### IP65 System Sounders

S2IP-SN-R	Sounder Red
S2IP-SN-W	Sounder White
S2IP-SN-W3	Backwards compatible Sounder White
S2IP-SN-R3	Backwards compatible Sounder Red
S2IP-VO-R	Voice Sounder Red
S2IP-VO-W	Voice Sounder White

### IP31 Low Profile Sounders

S3-SN-ST-RR	Sounder/Strobe Red
S3-SN-ST-WR	Sounder Strobe White
S3-SN-R	Sounder Red
S3-SN-W	Sounder White
S3-VO-ST-RR	Voice Sounder/Strobe Red
S3-VO-ST-WR	Voice Sounder/Strobe White
S3-VO-R	Voice Sounder Red
S3-VO-W	Voice Sounder White

### IP65 Low Profile Sounders

S3IP-SN-ST-RR	Sounder/Strobe Red
S3IP-SN-ST-WR	Sounder/Strobe White
S3IP-SN-ST-RW	Sounder/Strobe Red body White lens
S3IP-SN-ST-WA	Sounder/Strobe White body Amber lens
S3IP-SN-R	Sounder Red
S3IP-SN-W	Sounder White
S3IP-VO-ST-RR	Voice Sounder/Strobe Red
S3IP-VO-ST-WR	Voice Sounder/Strobe White
S3IP-VO-R	Voice Sounder Red
S3IP-VO-W	Voice Sounder White

### IP65 Loop Powered Strobes

S2IP-ST-RR	Strobe Red body/Red lens
S2IP-ST-WR	Strobe White body/Red lens
S2IP-ST-WA	Strobe White body/Amber lens
S2IP-ST-RW	Strobe Red body/White lens

### Remote Control

S3-CONTROL	HandiLink IR Remote Control
------------	-----------------------------

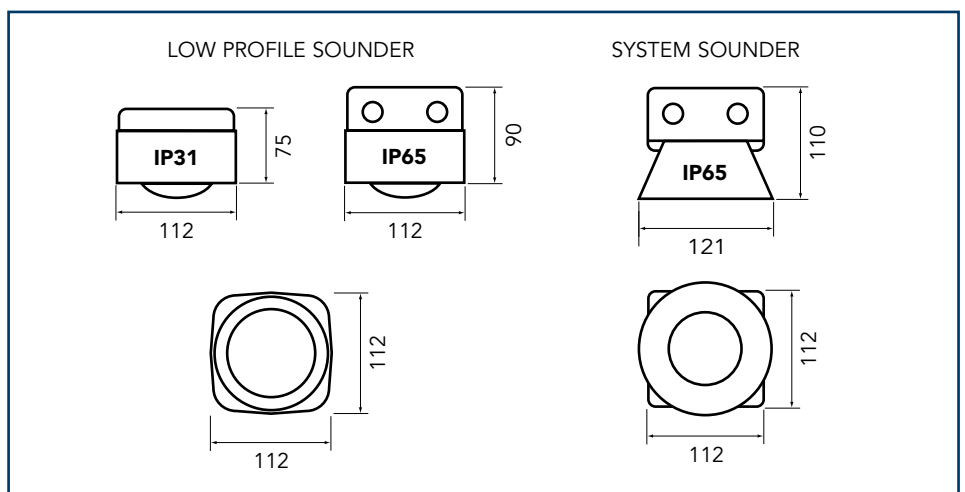


With the remote control individual sounders can be turned on and the sounder volume adjusted remotely from up to 3m away. To maintain system security this feature is password protected at the control panel.

## Technical Specification - 1.1 Tone and Voice Sounders with Strobe

Type	Sounder/Strobe		Voice Enhanced Sounder/Strobe			Strobe Only	
	Strobe Colour		Strobe Colour			Strobe Colour	
	Red or Amber	White	Red or Amber	Inc Bell Tone	White with & without bell tone	Red or Amber	White
Max Quantity per Loop	60	30	60	40	30	100	40
Device Load Factor	15	28	15	23	33	10	23
Ingress Protection	IP65C with Deep Base		IP31C with Shallow Base				
Approximate Weight	0.3Kg		0.3Kg			0.3Kg	
Operating Temperature	-10°C to 50°C		-10°C to 50°C			-10°C to 50°C	
Relevant Standards (Sounder only)	EN54 Pt 3		EN54 Pt 3			EN54 Pt 3	
Sound Output at 1m	100 dBA ± 2 dBA		100 dBA ± 2 dBA			100 dBA ± 2 dBA	
Strobe Light Output	Equivalent to a 3w Xenon		Equivalent to a 3w Xenon			Equivalent to a 3w Xenon	
Strobe Flash Rate	Signal 1 0.5Hz Signal 2 & 3 1.0Hz		Signal 1 0.5Hz Signal 2 & 3 1.0Hz			Signal 1 0.5Hz Signal 2 & 3 1.0Hz	
IR Control Operating Distance	3m		3m			3m	
Approvals	LPCB applied for						

- 1) When using the bell sound with voice enhanced sounders refer to the "Inc Bell Tone" column for the loop loading data.
- 2) To use the new range of Sounders the panel software (main & repeat) may need to be upgraded.



GENT