

# S1713S Mushroom headed latching button key release

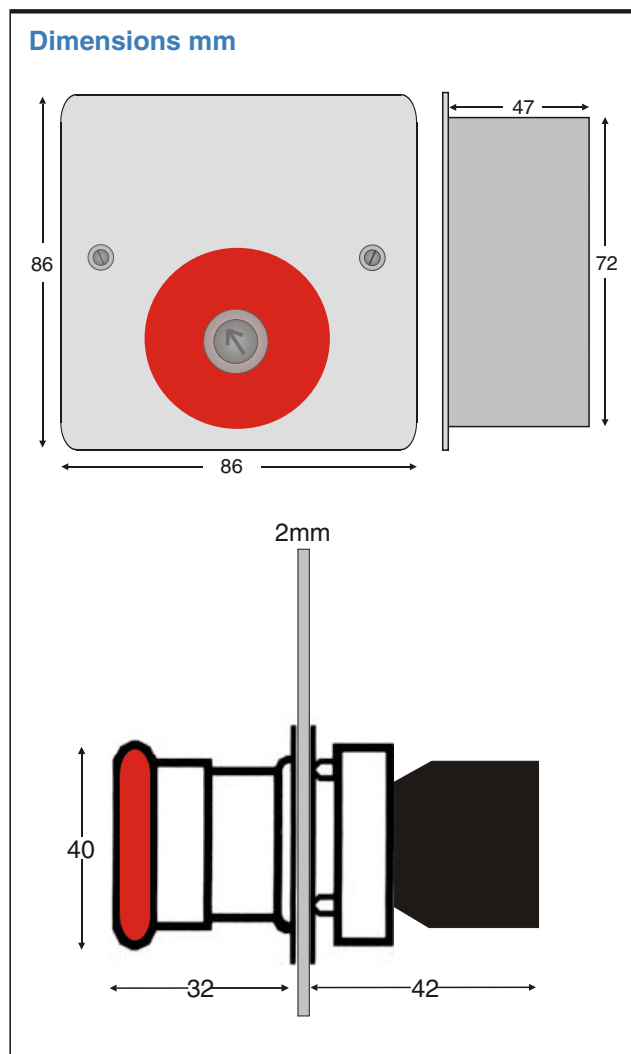


Mushroom headed button key release. Supplied with normally closed and normally open contacts.

Also available:

S1713STC can be engraved with text of your choice up to 45 characters. Specify text when ordering.

- Brushed Stainless Steel
- Supplied with 47mm deep galvanised mounting box for flush fitting
- IP Rated
- Customised versions available on request
- Surface mount using S0610-50



Specification	S1713S
Led Current	N/A
Switch Contacts	1 X N/O and N/C 500mA @30vdc
Visual Indication	N/A
Integral Sounder Level	N/A
Tamper	N/A
Material	304 Grade Stainless Steel
Facia Dimensions	86mm x 86mm x 2mm (Facia) 47mm galvanised back box supplied
Weight	0.34kg
IP Rating	IP65 - To maintain the IP rating a suitable sealant or gasket for the rear of the plate is required
Approvals	CE and RoHs compliant

Also available as:	
S1713STC	Mushroom headed button key release. Up to 45 character text choice.



## Related Products



## Hoyles Electronic Developments Ltd

T. 01744 886600

F. 01744 886607

E. [sales@hoyles.com](mailto:sales@hoyles.com)

W. [www.hoyles.com](http://www.hoyles.com)

