

IDENTIFIRE

REMOTE LAMP UNIT

A bright LED indicator suitable for use on both conventional and analogue addressable alarm systems. Like all Identifire products, this product is available as either flush or surface mounted.

In common with all other Identifire products, our Remote Lamp Unit can be customised with your choice of logo and indication text in any language*

FEATURES

- Very bright, easily visible LED
- Suitable for use on both conventional and addressable alarm systems
- Can be printed with any text in any language*

SPECIFICATION

Operating Voltage 5 - 28 V dc

ELECTRICAL CONFIGURATION

System	Resistance	Terminals	Current
Conventional	1000 Ω	1,3	23 mA @ 24 V dc
Addressable	0 Ω	2,3	28 mA Max

ACCESSORIES ALSO AVAILABLE

- Identifire Remote Lamp Buzzer Unit

PART CODE

Part Code	Part Name
10-2011WFR-S	Identifire Remote Lamp Unit, Flush, White, Red
10-2011WSR-S	Identifire Remote Lamp Unit, Surface, White, Red



FLUSH MOUNTED



SURFACE MOUNTED

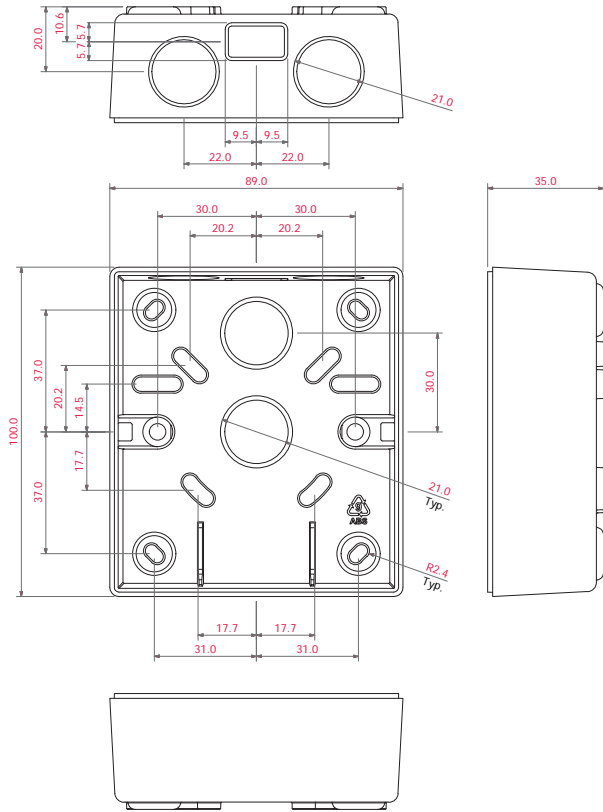
*Minimum order quantities may apply

IDENTIFIRE

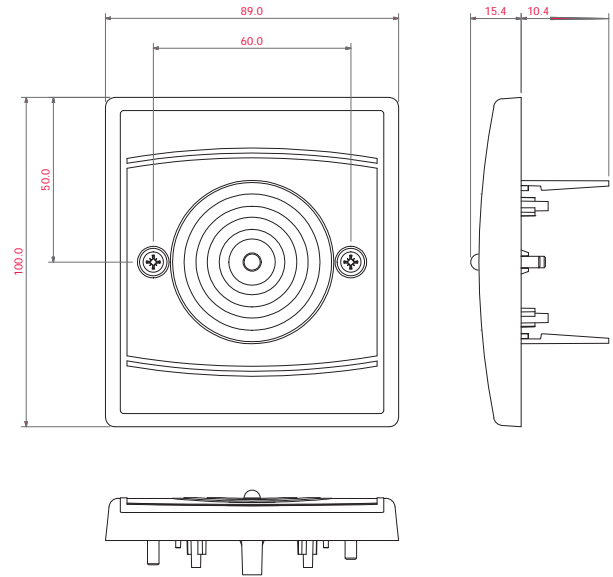
REMOTE LAMP UNIT

TECHNICAL DRAWING

BACK BOX



REMOTE LAMP UNIT



Dimensions: mm

DS/3700035 Iss 1

We reserve the right to change or amend any design or specification in line with our policy of continuing development and improvement.

Vimpex Limited
Star Lane
Great Waking
Essex SS3 0PJ, UK

t. +44 (0) 1702 216999
e. sales@vimpex.co.uk
www.vimpex.co.uk

