



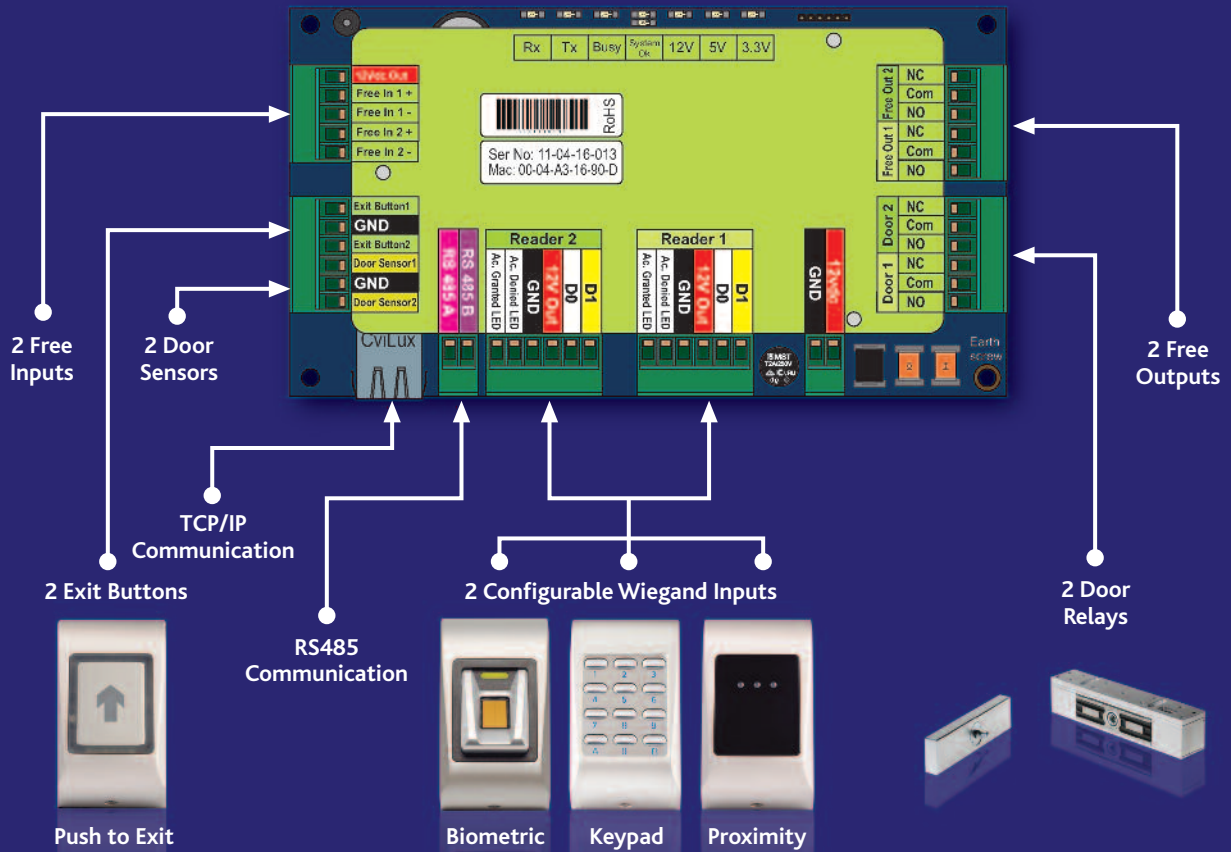
The Portal Plus is a networkable access control system with windows based programming and management software with support for up to 15000 users and unlimited entrances. It allows greater flexibility in the design and installation of an access control system having a modular design and facilities for proximity, bio access and coded access readers. A range of readers are available, all in the same robust design which also includes an illuminated touch to exit switch. Proximity reader modules are also available for the Videx 4000, VR4K and VR series entrance panels allowing full integration with an intercom system.

Based on 2 door controllers (available with or without integral 3.5A switched mode power supply) and including an RS485 bus that will link up-to 62 doors (31 controllers) up to 1km. Additionally, an optional integral Ethernet connection (TCP/IP) is available allowing controllers to be connected to an existing LAN or WAN with the potential expansion to unlimited doors and unlimited distances. The integration of door monitoring, push to exit button inputs, free inputs, free outputs and 16 status LED's all help make this a simple to install yet extremely flexible system.

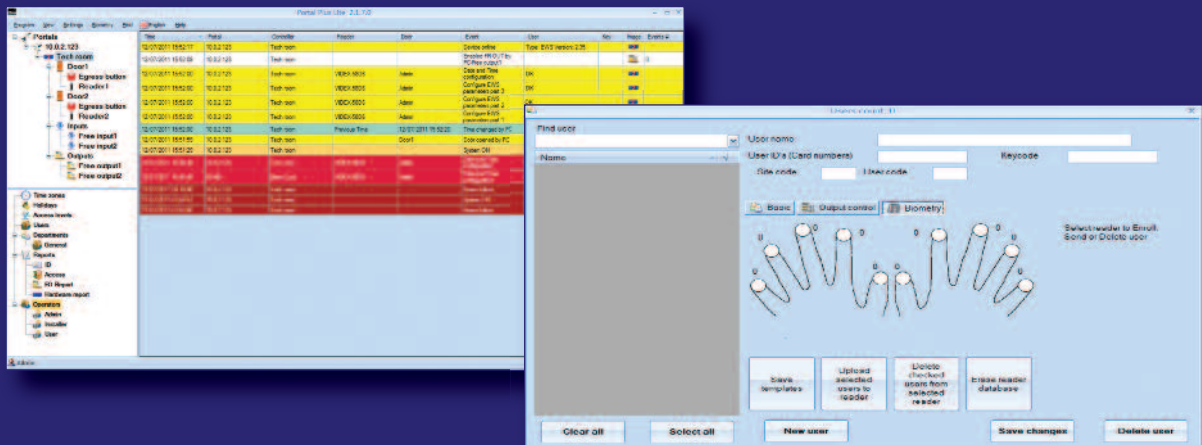
The system also benefits from distributed intelligence allowing the systems to continue functioning even during times of network problems. Both anti pass back and mantrap options are available as standard as are free inputs and outputs that can be programmed as per an installation or user requirement. The user friendly windows based software allows the adding, editing or deletion of users and includes finger print enrolment integrated into the software. Using this in conjunction with the desk mount USB finger print reader eliminates the need to enrol a user twice. The Pros Lite software is free and packed with features including event logs, reports and user management while for more advanced features such as time & attendance the Pros software can be used.

Tel: 0870 300 1240
Web: www.videx-security.com

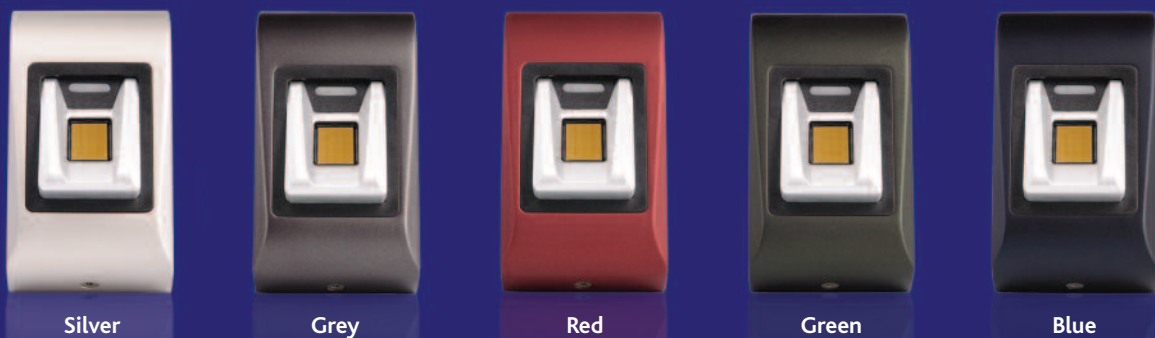
2 Door controller with optional TCP/IP port, door contacts, exit button inputs and free I/O



PC Software for system enrolment and management



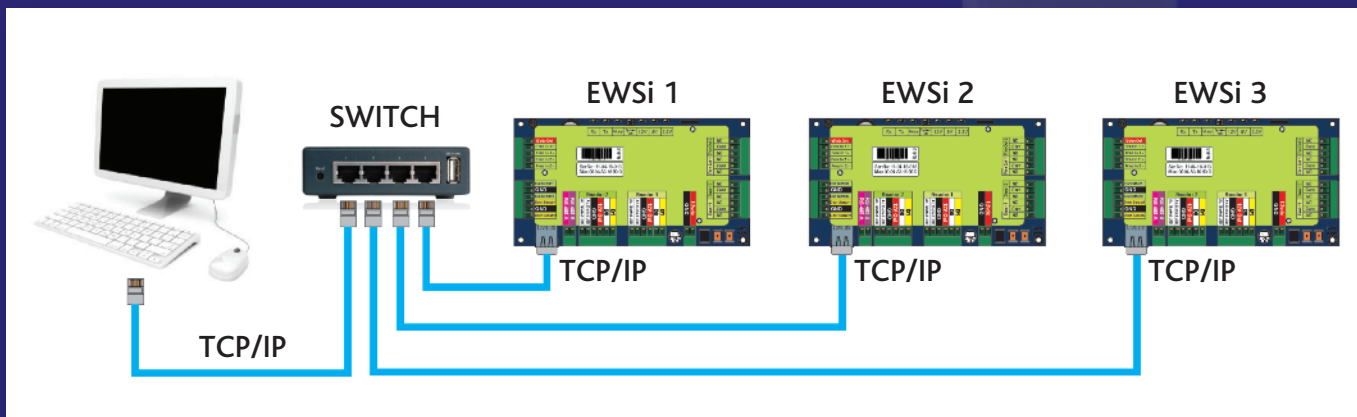
Readers and exit buttons are available in the following finishes:



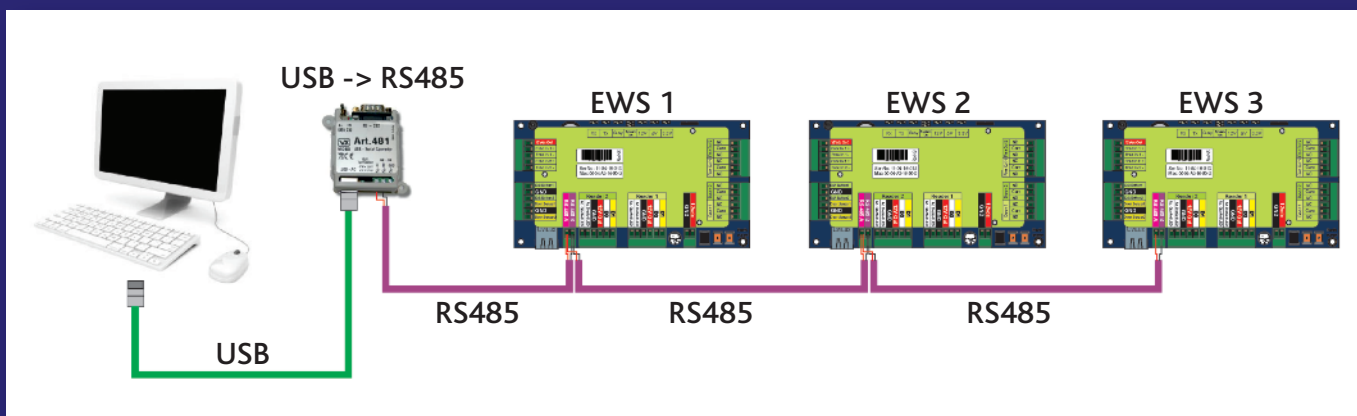
To complement the system, touch to exit buttons are also available in the same design and colour range as the readers and include both audible and visual indication (Red/green halo illumination).



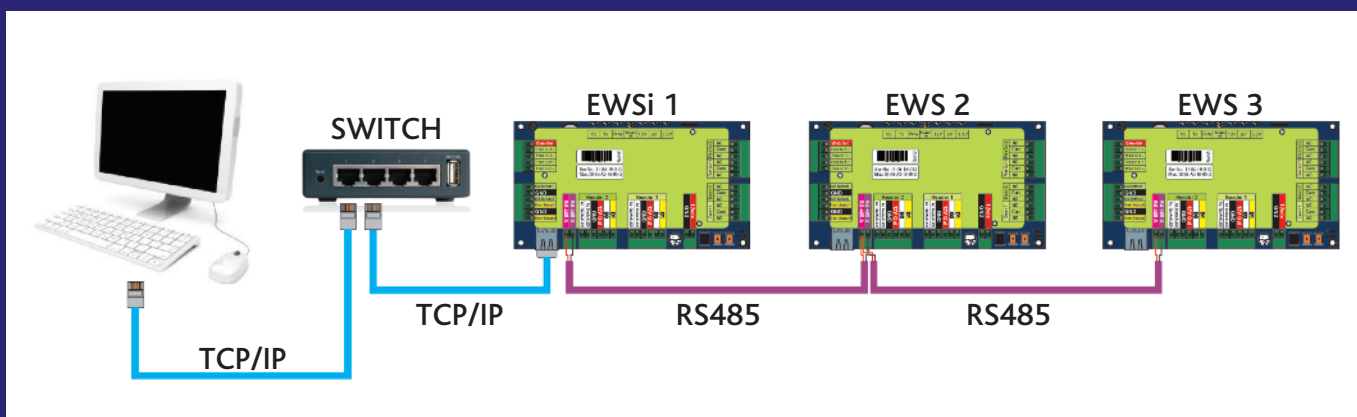
System configurations



Distribute controllers via a TCP/IP network up to 100m from switch/router.



Connect up to 31 controllers via an RS485 bus over a distance of up to 1km. Use RS485 hubs and repeaters for larger distances or additional controllers.



Combine both TCP/IP and RS485 on the same system for maximum flexibility.

FEATURES

Proximity, bio access and coded access all available
 2 Door controllers
 Up to 15000 users
 Expandable to unlimited doors using multiple controllers
 Up to 30000 events stored while off line (Per controller)
 24 User defined time zones
 Unlimited user groups
 Anti-pass back and man trap programmable features
 Controllers available with TCP/IP integration
 2x Lock relays per controller (Dry contact 10A relays)

2x Auxiliary relay outputs (Dry contact 10A)
 2x Auxiliary inputs
 2x Push to exit button inputs
 2x Door monitoring inputs
 16 status LED's per controller for engineers
 All plug in connections for engineers
 Each controller has a unique address to simplify the installation
 Controller firmware upgradable via PC software
 Reader inputs programmable (26bit to 128bit)

PROXIMITY READERS

MTPXS-M	Silver surface Wiegand proximity reader (92mm x 51mm x 25mm) IP65
MTPXG-M	Green surface Wiegand proximity reader (92mm x 51mm x 25mm) IP65
MTPXC-M	Dark grey surface Wiegand proximity reader (92mm x 51mm x 25mm) IP65
MTPXR-M	Red surface Wiegand proximity reader (92mm x 51mm x 25mm) IP65
MTPXB-M	Blue surface Wiegand proximity reader (92mm x 51mm x 25mm) IP65
MTPXW-M	White surface Wiegand proximity reader (92mm x 51mm x 25mm) IP65
VPROX2-M	Vandal resistant surface Wiegand proximity reader (115mm x 85mm x 21mm) IP67 rated.
4849PP	4000 Series modular proximity reader
VR4KPPM	VR4K Series modular proximity reader
XPROX	Panel mount proximity reader (40mm x 40mm window)
MINI-MF-W26	Mifare Wiegand surface reader (90mmx51mmx17mm) IP67,(Classic, Ultralight & Desfire 13.56MHz)

INTERNAL USE CAPACITIVE FINGER PRINT READERS

		EXTERNAL
BIOCS	Silver surface Wiegand finger print reader (92mm x 51mm x 25mm) IP54	BIOCS-SW
BIOCG	Green surface Wiegand finger print reader (92mm x 51mm x 25mm) IP54	BIOCG-SW
BIOCC	Dark grey surface Wiegand finger print reader (92mm x 51mm x 25mm) IP54	BIOCC-SW
BIOCR	Red surface Wiegand finger print reader (92mm x 51mm x 25mm) IP54	BIOCR-SW
BIOCB	Blue surface Wiegand finger print reader (92mm x 51mm x 25mm) IP54	BIOCB-SW
BIOCW	White surface Wiegand finger print reader (92mm x 51mm x 25mm) IP54	BIOCW-SW

CODED KEYPADS

MTPADS-M	Silver Wiegand coded access keypad (92mm x 51mm x 25mm) IP65
MTPADG-M	Green Wiegand coded access keypad (92mm x 51mm x 25mm) IP65
MTPADC-M	Dark grey Wiegand coded access keypad (92mm x 51mm x 25mm) IP65
MTPADR-M	Red Wiegand coded access keypad (92mm x 51mm x 25mm) IP65
MTPADB-M	Blue Wiegand coded access keypad (92mm x 51mm x 25mm) IP65
MTPADW-M	White Wiegand coded access keypad (92mm x 51mm x 25mm) IP65

TOUCH TO EXIT BUTTONS

MTTS-EXIT	Silver surface mount touch to exit switch 12/24V AC or DC (92mm x 51mm x 25mm) (IP66)
MTTG-EXIT	Green surface mount touch to exit switch 12/24V AC or DC (92mm x 51mm x 25mm) (IP66)
MTTC-EXIT	Dark grey surface mount touch to exit switch 12/24V AC or DC (92mm x 51mm x 25mm) (IP66)
MTTR-EXIT	Red surface mount touch to exit switch 12/24V AC or DC (92mm x 51mm x 25mm) (IP66)
MTTB-EXIT	Blue surface mount touch to exit switch 12/24V AC or DC (92mm x 51mm x 25mm) (IP66)
MTTW-EXIT	White surface mount touch to exit switch 12/24V AC or DC (92mm x 51mm x 25mm) (IP66)

CONTROLS

PPCU1	Lockable boxed 2 door controller (RS485) c/w 3.5A PSU
PPCU2	Lockable boxed 2 door controller (RS485 & TCP/IP) c/w 3.5A PSU
PPCU3	Lockable IP55 boxed 2 door controller (RS485) c/w 3.5A PSU
PPCU4	Lockable IP55 boxed 2 door controller (RS485 & TCP/IP) c/w 3.5A PSU
EWSH	Boxed 2 door controller (RS485)
EWSiH	Boxed 2 door controller (RS485&TCP/IP)
EWS	2 door controller PCB (RS485)
EWSi	2 door controller PCB (RS485 & TCP/IP)

FOBS/CARDS

PBX-1E	ABS fob (EM format 125kHz)
PBX-2	Thin card (EM format 125kHz)
PBX-2C	Thick card (EM format 125kHz)

ACCESSORIES

PROXE	Desk mount USB proximity reader (EM & Mifare)
BIOE	Desk mount USB finger print reader
480	RS232 / RS485 to IP interface
481	RS485 to USB converter
I-7513	RS485 Splitter/repeater (3 outputs)

VIDEX SECURITY LTD,

Unit 4-7 Chillingham Ind. Est, Newcastle Upon Tyne, NE6 2XX
 1 Osprey, Trinity Park, Trinity Way, London, E4 8TD

Tel: 0870 300 1240

Fax: 0191 224 5678

E-mail: sales@videx-security.com

Web: www.videx-security.com

