



RHD212

RATE-OF-RISE TEMPERATURE DETECTOR WITH RELAY BASE

Installation Manual No: 18020746

CE 1293
1293-CPD-0118

ATTENTION: This manual is subject to change without notice!
Read carefully this installation instructions before installing the device!

GENERAL DESCRIPTION:

The **RHD212** is a special kit for using in intruder alarm systems. The kit includes the rate-of-rise temperature fire detector **RHD-2** and relay base **DB-12L/U** (12V).

INSTALLATION

1. Choose the proper place for installation of the fire detector. Refer to the given installation instructions.

Note: Do not install the detector near to natural heat sources, e.g. above cookers, ovens or fire places.

2. If you want to "lock" the detector to the base remove the little "tooth" (with the triangle shape) and break the plastic key off the base. Keep the plastic key in safe place to be able to open the detector later.

3. Mount the relay base on the ceiling of the protected premises using fixings according the mounting surface.

4. Connect the detector base to the intruder alarm panel using the wiring diagram.

ATTENTION: Disconnect the main power supply before installing the detector!

5. Insert the detector into the base and rotate clockwise until it drops into place. Continue to rotate the detector until it locks to the base - a click is heard.

6. If the detector has been locked to the base, when open it for a service schedule maintenance and cleaning you have to use the plastic key. Light press with the plastic key into the base opening and at the same time rotate the detector head counter-clockwise.

ATTENTION: To clean the wire mesh you have to remove the detector's PCB and then carefully to disassemble the smoke chamber from it. Clean the wire mesh and mount the chamber back on the PCB as observe the arrows - they have to coincide, then slightly press the chamber to the detector's PCB. Next you have to mount the PCB back to detector's plastic body. Find the color dot sticker on the PCB and orientate it to the mark on the plastic body (visible from the outside). The hole next to the color dot have to coincide with the pin on the plastic body. Gently press downwards to fix the PCB in place.

TESTING THE DETECTOR

To test the detector use a smoke probe:

1. Apply power to the detector.

2. Wait for 30 sec.

3. Apply the heat tester (*Cordless Heat Detector Tester or Heat Tester 110V>240V*) at a distance 20cm to test the heat part of the detector. Within 8 sec the fire detector will enter in fire condition. Both LEDs will light up.

4. Power off the detector for 2sec minimum. After resetting the detector will enter in duty mode and the LEDs will light off.

SERVICE MAINTENANCE

1. Inspection for visible physical damage - weekly.

2. Operational test in real conditions - monthly.

3. Check and clean dust contamination - six months.

4. Check and clean base and head contacts and connections - annually.

TECHNICAL SPECIFICATIONS

Operating Voltage Range 9 - 30 VDC (Nom. 12/24VDC)

Average current consumption in quiescent state . . . < 50µA

Alarm state current: 18 mA / 9V;
29mA / 12V;
32mA/ 15V

Class (in accordance with EN54-5) A1/R

Protected area (in accordance with EN54-5) up 35m²

Installation height (in accordance with EN54-5) up 3,5m

Output in alarm state at terminal RI 20mA (max)/ -3.3V

(Towards terminals +IN /+OUT/)

Degree of protection IP30

Wire Gauge for terminals 0.4mm² ÷ 2.0mm²

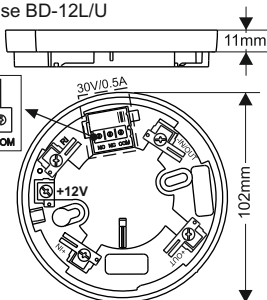
Operational temperature range. -10°C ÷ +60°C

Relative humidity resistance (93 ± 3)% @ 40°C

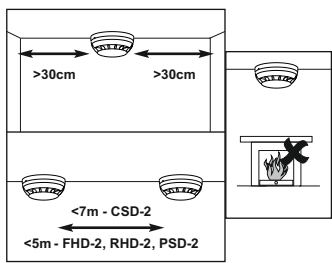
Dimensions (incl. base) ø102mm, h 42mm

Weight (incl. base) 160g

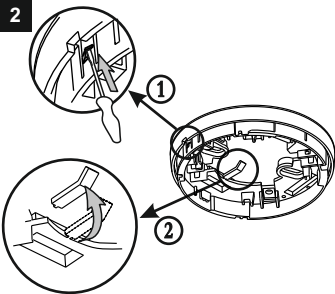
! Base BD-12L/U



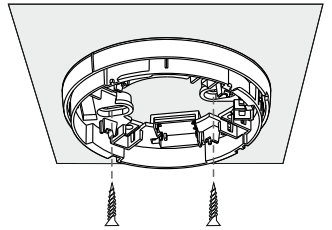
1



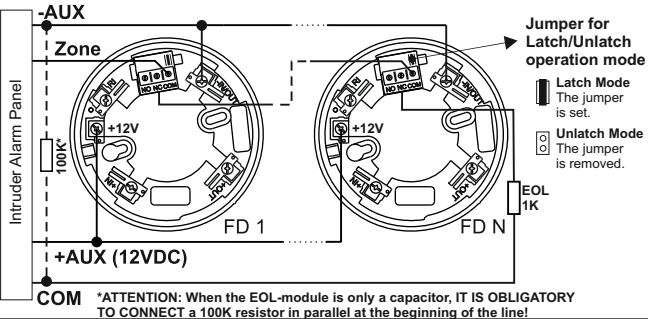
2



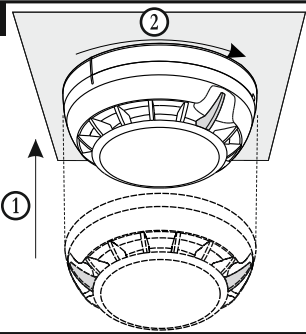
3



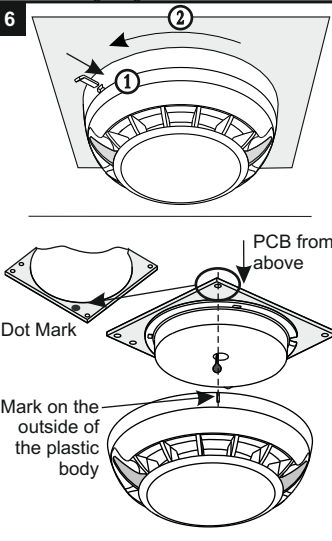
4



5



6



LED Indication

Blinking	○ → 8 sec → ☀	OK
Light on	☀ → ☀	🔥
Light off	○ → ○	🔧