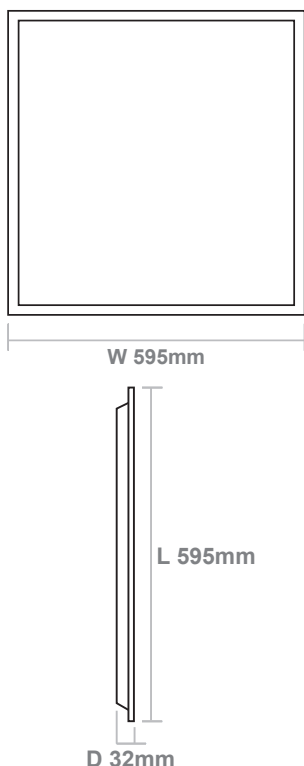




RHOMBUS BACK LIT RECESSED PANEL

Dimensions

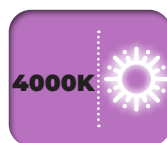


| CODE | DESCRIPTION | LUMEN OUTPUT | LM/W | CRI | POWER FACTOR | DIMENSIONS (L X W X D MM) | WEIGHT (KG) |
|--------------|------------------------------------------------------|-------------------|------|-----|--------------|---------------------------|-------------|
| RB6636-40 | Rhombus 36W LED 4000K Recessed Panel | 3600lm | 100 | >80 | >0.9 | 595 x 595 x 32mm | 1.5 |
| EMLEDKIT3 | Emergency Remote Flexi 3 Cell NiCD Box | (EM Output 300lm) | - | - | - | 270 x 38 x 68mm | 0.8 |
| LEDDRIVER36D | Tridonic LED Dali/Switch Dim 45W 500mA-1400mA Driver | - | - | - | - | 215 x 70 x 30 | 0.2 |
| BLP-RSC | Pack of 4 Ceiling Mount Spring Clips | - | - | - | - | 50 x 30 x 20mm | 0.08 |

Additional Information

Rhombus is a high efficiency, back lit recessed lay-in modular luminaire, designed to fit into exposed-T grid ceilings. Can also be fitted into plasterboard ceilings using BLP-RSC accessory.

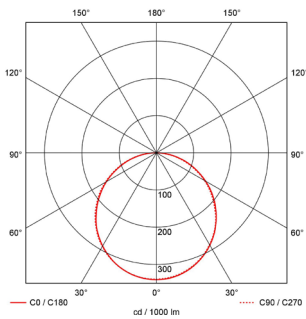
- Lifetime >25,000hrs
- Material Extruded Aluminium
- Emergency conversion kit available
- Suitable for exposed-T grid ceilings
- Accessory for fixing into plasterboard ceilings
- Dimmable driver available
- Flicker free driver





RHOMBUS BACK LIT RECESSED PANEL

Photometric Light Distribution Curve



Emergency Lighting Spacing Table

| Open Area (Symmetric) | | | | | |
|--------------------------|------------------|-----------------------|------|-----|------|
| Mode | Mount Height (m) | Open Area 0.5 Lux min | | | |
| RB6636-40 with EMLEDKIT3 | | | | | |
| | 2.4 | 4.7 | 11.7 | 4.7 | 11.7 |
| | 3 | 5.2 | 12.9 | 5.2 | 12.9 |
| | 3.3 | 5.3 | 13.4 | 5.3 | 13.4 |
| | 3.6 | 5.5 | 13.9 | 5.5 | 13.9 |

Emergency Lighting Spacing Table

| Escape Route | | | | | |
|--------------------------|------------------|------------------------|------|-----|------|
| Mode | Mount Height (m) | Escape Route 1 Lux min | | | |
| RB6636-40 with EMLEDKIT3 | | | | | |
| | 2.4 | 3.8 | 9.6 | 3.8 | 9.6 |
| | 3 | 4.1 | 10.4 | 4.1 | 10.4 |
| | 3.3 | 4.2 | 10.8 | 4.2 | 10.8 |
| | 3.6 | 4.2 | 11.1 | 4.2 | 11.1 |

Maximum Fittings Per Circuit

| Automatic Circuit Breaker Type (ACB) | B6 | B10 | B13 | B16 | B20 | C10 | C13 | C16 | C20 |
|--------------------------------------|--------------------|--------------------|--------------------|--------------------|--------------------|--------------------|--------------------|--------------------|--------------------|
| Rated current [Ampere] | 6A | 10A | 13A | 16A | 20A | 10A | 13A | 16A | 20A |
| Cable Size [mm ²] | 1.5mm ² | 1.5mm ² | 1.5mm ² | 1.5mm ² | 2.5mm ² | 1.5mm ² | 1.5mm ² | 1.5mm ² | 2.5mm ² |
| RB6636-40 | 9 | 16 | 21 | 25 | 32 | 16 | 21 | 25 | 32 |

