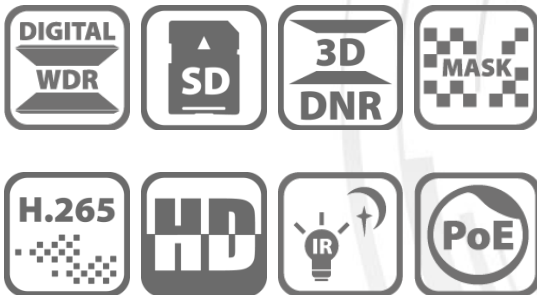


PTZ-P332ZI-DE3 PanoVu Mini Series IR Network PTZ Camera



HiLook PTZ-P332ZI-DE3 PanoVu Mini Series IR Network PTZ Camera, with the integration design, is able to capture 360° images with the panoramic cameras as well as close-up images with the PTZ camera.

System Functions

- 3-ch panoramic images in different directions and 1-ch close-up image
- PTZ linkage
- Up to 10 m IR radius

Panoramic Camera

- Three 1/2.8" progressive scan CMOS
- 3-ch 1920 × 1080@30fps resolution
- Horizontal FOV: 128.5° × 3

PTZ Camera

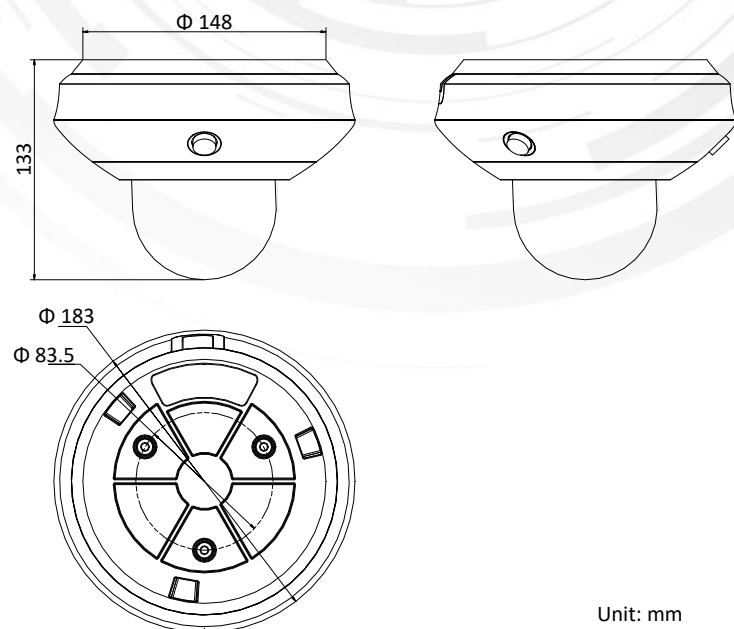
- 1/2.8" progressive scan CMOS
- Up to 1920 × 1080@30fps resolution
- 4× optical zoom, 8× digital zoom

Available Model

- PTZ-P332ZI-DE3
12 VDC & PoE+ (802.3 at, class 4)



Dimensions



Unit: mm

Accessories



DS-1294ZJ-TRL
Wall Mounting Bracket



DS-1271ZJ-PT10
Pendant Mounting Bracket

Specification

Panoramic Camera	
Image Sensor	Three 1/2.8" progressive scan CMOS
Min. Illumination	Color: 0.05 Lux @(F2.0, AGC ON) B/W: 0.01 Lux @(F2.0, AGC ON) 0 Lux with IR
Shutter Time	50 Hz: 1/25 s to 1/30,000 s 60 Hz: 1/30 s to 1/30,000 s
Day & Night	IR Cut Filter
Gain	Auto/Manual
WDR	Digital WDR
Smart Image Enhancement	HLC/BLC/3D DNR/Regional Exposure
White Balance	Auto/Manual/ATW (Auto-Tracking White Balance)/Indoor/Outdoor/Fluorescent Lamp/Sodium Lamp
Privacy Mask	4 × 3 programmable privacy masks
Focal Length	2 mm
Aperture Range	F2.0
FOV	Horizontal field of view: 128.5° × 3 Vertical field of view: 75.7° Diagonal field of view: 144°
PTZ Camera	
Image Sensor	1/2.8" progressive scan CMOS
Min. Illumination	Color: 0.05 Lux @(F2.0, AGC ON) B/W: 0.01 Lux @(F2.0, AGC ON) 0 Lux with IR
Shutter Time	50 Hz: 1/25 s to 1/30,000 s 60 Hz: 1/30 s to 1/30,000 s
Day & Night	IR Cut Filter
Gain	Auto/Manual
WDR	Digital WDR
Smart Image Enhancement	HLC/BLC/3D DNR/Regional Exposure/Regional Focus
White Balance	Auto/Manual/ATW (Auto-Tracking White Balance)/Indoor/Outdoor/Fluorescent Lamp/Sodium Lamp
Privacy Mask	8 programmable privacy masks
Digital Zoom	8×
Focus Mode	Semi-automatic/Manual
Focal Length	2.8 mm to 12 mm, 4× optical zoom
Zoom Speed	Approx.5.4 s (optical, wide - tele)
FOV	Horizontal field of view: 120° to 56.6° (wide - tele) Vertical field of view: 61.8° to 31.7° (wide - tele) Diagonal field of view: 149° to 65° (wide - tele)
Min. Working Distance	10 mm to 1500 mm (wide - tele)
Aperture Range	F2.0 to F2.4
Pan and Tilt Range	Pan: 0° to 350°; Tilt: 0° to 90°
Pan and Tilt Speed	Pan speed: 0.1°/s to 30°/s (configurable), preset speed: 30°/s Tilt speed: 0.1°/s to 30°/s (configurable), preset speed: 30°/s
Proportional Zoom	Support
Preset Number	300
Power-off Memory	Support
PTZ Status Display	Support
Preset Freezing	Support
Scheduled Task	Preset/Dome Reboot/Dome Adjust

Dual-VCA	Support
Smart Event Detection	Audio Exception Detection, Intrusion Detection, Line Crossing Detection
System	
IR	Up to 10 m IR (radius)
PTZ Linkage	Support
SVC	Support
ROI	Main stream supports eight fixed areas.
Video Compression	Main stream: H.265/H.264/MJPEG H.264: Main Profile/High Profile
Video Bitrate	32 Kbps to 8192 Kbps
Audio Compression	G.711alaw/G.711ulaw/G.722.1/G.726/MP2L2
Audio Bitrate	G.711alaw/G.711ulaw: 64 Kbps G.722.1/G.726: 16 Kbps MP2L2: 32 Kbps/64 Kbps/128 Kbps
Resolution	Main stream: 50 Hz: 25 fps (1920 × 1080, 1280 × 720, 704 × 576, 640 × 480, 352 × 288) 60 Hz: 30 fps (1920 × 1080, 1280 × 720, 704 × 480, 640 × 480, 352 × 240)
Basic Event Detection	Motion Detection, Video Tampering Detection, Exception
Network	
Smart Record	ANR (Automatic Network Replenishment)
Network Storage	Built-in memory card slot, support Micro SD/SDHC/SDXC, up to 256 GB
Protocols	IPv4/IPv6, HTTP, HTTPS, 802.1x, Qos, FTP, SMTP, UPnP, SNMP, DNS, DDNS, NTP, RTSP, RTCP, RTP, TCP/IP, DHCP, PPPoE, Bonjour
API	Open-ended, support ONVIF, ISAPI, and CGI, support HIKVISION SDK and Third-Party Management Platform
Simultaneous Live View	Up to 4 × 4 channels
User/Host	Up to 32 users 3 levels: Administrator, Operator and User
Security Measures	User authentication (ID and PW), Host authentication (MAC address); HTTPS encryption; IEEE 802.1x port-based network access control; IP address filtering
Client	iVMS-4200, iVMS-4500, iVMS-5200, Hik-Connect
Web Browser	IE 8 to 11, Chrome 31.0 to 44, Firefox 30.0 to 51
Interface	
Network Interface	1 RJ45 10 M/100 M Ethernet
Audio Interface	1-ch audio input and 1-ch audio output
General	
Power	12 VDC & PoE+ (802.3 at, class 4) Max.24 W (Max. 6 W for IR)
Working Temperature	-10°C to 50°C (14°F to 122°F)
Working Humidity	≤ 90%
Protection Level	TVS 2000V Lightning Protection, Surge Protection and Voltage Transient Protection
Material	PC + ABS & Aluminum alloy
Dimensions	Φ 183 mm × 133 mm (Φ 7.20" × 5.24")
Weight	Approx. 0.9 kg (1.98 lb)