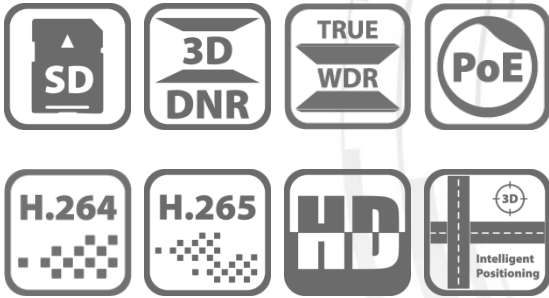


PTZ-N4215-DE3 (B) 2MP 15× Network Speed Dome



Key Features

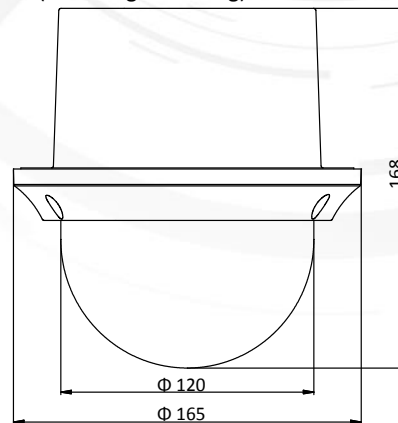
- 1/2.8" progressive scan CMOS
- Up to 1920 × 1080@30fps resolution
- Min. illumination:
Color: 0.005 Lux @(F1.6, AGC ON)
B/W: 0.001 Lux @(F1.6, AGC ON)
- 15× optical zoom, 16× digital zoom
- 120 dB WDR, 3D DNR, HLC, BLC
- 12 VDC & PoE+ (802.3at, class4)
- Support H.265+/H.265 video compression
- Up to 24 programmable privacy masks
- Support ROI

Available Model

- PTZ-N4215-DE3 (B)

Dimensions

Indoor Model
(In-Ceiling Mounting)



Unit: mm

Specification

| Camera Module | |
|-----------------------|--|
| Image Sensor | 1/2.8" progressive scan CMOS |
| Min. Illumination | Color: 0.005 Lux @(F1.6, AGC ON) B/W: 0.001 Lux @(F1.6, AGC ON) |
| White Balance | Auto/Manual/ATW (Auto-Tracking White Balance)/Indoor/Outdoor/Fluorescent Lamp/Sodium Lamp |
| AGC | Auto/Manual |
| Shutter Time | 1/1 s to 1/30,000 s |
| Day & Night | IR Cut Filter |
| Digital Zoom | 16× |
| Privacy Mask | 24 programmable privacy masks |
| Focus Mode | Auto/Semi-automatic/Manual |
| WDR | 120 dB WDR |
| Lens | |
| Focal Length | 5 mm to 75 mm, 15× optical |
| Zoom Speed | Approx. 2.4 s (optical lens, wide-tele) |
| FOV | Horizontal field of view: 53.8° to 4.0° (wide-tele) Vertical field of view: 31.9° to 2.3° (wide-tele) Diagonal field of view: 60.4° to 4.6°(wide-tele) |
| Working Distance | 10 mm to 1500 mm (wide-tele) |
| Aperture Range | F1.6 to F3.0 |
| PTZ | |
| Movement Range (Pan) | 360° endless |
| Pan Speed | Configurable, from 0.1°/s to 100°/s Preset Speed: 100°/s |
| Movement Range (Tilt) | From 0° to 90° (Auto-flip) |
| Tilt Speed | Configurable, from 0.1°/s to 80°/s Preset Speed: 80°/s |
| Proportional Zoom | Support |
| Presets | 300 |
| Patrol Scan | 8 patrols, up to 32 presets for each patrol |
| Pattern Scan | 4 pattern scans, record time over 10 minutes for each scan |
| Power-off Memory | Support |
| Park Action | Preset/Pattern Scan/Patrol Scan/Auto Scan/Tilt Scan/Random Scan/Frame Scan/Panorama Scan |
| PTZ Position Display | Support |
| Preset Freezing | Support |
| Scheduled Task | Preset/Pattern Scan/Patrol Scan/Auto Scan/Tilt Scan/Random Scan/Frame Scan/Panorama Scan/Dome Reboot/Dome Adjust |
| Compression Standard | |
| Video Compression | Main Stream: H.265+/H.265/H.264+/H.264 Sub-Stream: H.265/H.264/MJPEG Third Stream: H.265/H.264/MJPEG |
| H.264 Type | Baseline Profile/Main Profile/High Profile |
| H.264+ | Support |
| H.265 Type | Main Profile |
| H.265+ | Support |
| Video Bitrate | 32 Kbps to 16384 Kbps |
| SVC | Support |
| Smart Feature | |

| | |
|------------------------|--|
| Basic Event Detection | Motion Detection, Video Tampering Detection, Exception Detection |
| Smart Event Detection | Intrusion Detection, Line Crossing Detection, Region Entrance Detection, Region Exiting Detection, Unattended Baggage Detection, Object Removal Detection |
| ROI encoding | Main stream, sub-stream and third stream respectively support four fixed areas. |
| Smart Record | ANR (Automatic Network Replenishment), Dual-VCA |
| Image | |
| Max. Resolution | 1920 × 1080 |
| Main Stream | 50Hz: 25fps (1920 × 1080, 1280 × 960, 1280 × 720) 60Hz: 30fps (1920 × 1080, 1280 × 960, 1280 × 720) |
| Sub-Stream | 50Hz: 25fps (704 × 576, 640 × 480, 352 × 288) 60Hz: 30fps (704 × 480, 640 × 480, 352 × 240) |
| Third Stream | 50Hz: 25fps (1920 × 1080, 1280 × 960, 1280 × 720, 704 × 576, 640 × 480, 352 × 288) 60Hz: 30fps (1920 × 1080, 1280 × 960, 1280 × 720, 704 × 480, 640 × 480, 352 × 240) |
| Image Enhancement | HLC/BLC/3D DNR/Defog/EIS/Regional Exposure/Regional Focus |
| Network | |
| Network Storage | Built-in memory card slot, support Micro SD/SDHC/SDXC, up to 256 GB; NAS (NPS, SMB/ CIFS), ANR |
| Protocols | IPv4/IPv6, HTTP, HTTPS, 802.1x, Qos, FTP, SMTP, UPnP, SNMP, DNS, DDNS, NTP, RTSP, RTCP, RTP, TCP/IP, UDP, IGMP, ICMP, DHCP, PPPoE, Bonjour |
| API | Open-ended, support ONVIF, ISAPI, and CGI, support HIKVISION SDK and Third-Party Management Platform |
| Simultaneous Live View | Up to 20 channels |
| User/Host | Up to 32 users. 3 levels: Administrator, Operator and User |
| Security Measures | User authentication (ID and PW), Host authentication (MAC address); HTTPS encryption; IEEE 802.1x port-based network access control; IP address filtering |
| Client | iVMS-4200, iVMS-4500, iVMS-5200, Hik-Connect |
| Web Browser | IE 8 to 11, Chrome 31.0 to 44, Firefox 30.0 to 51 |
| Interface | |
| Network Interface | 1 RJ45 10 M/100 M Ethernet Interface; PoE+ (802.3at, class4) |
| General | |
| Power | 12 VDC and PoE+ (802.3at, class4) Max.: 18 W |
| Working Temperature | -10°C to 55°C (14°F to 131°F) |
| Working Humidity | ≤ 90% |
| Protection Level | TVS 4000V Lightning Protection, Surge Protection and Voltage Transient Protection |
| Material | ADC 12, PC, PMMA |
| Dimensions | Φ165 mm × 168 mm (Φ 6.5"×6.6") (In-ceiling mounting indoor model) |
| Weight | Approx. 2 kg (4.41 lb) |