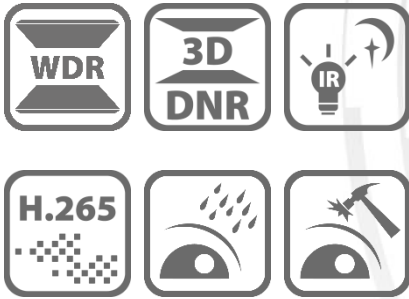


PTZ-N2404I-DE3 (C) 4MP 4× IR Network PTZ Camera



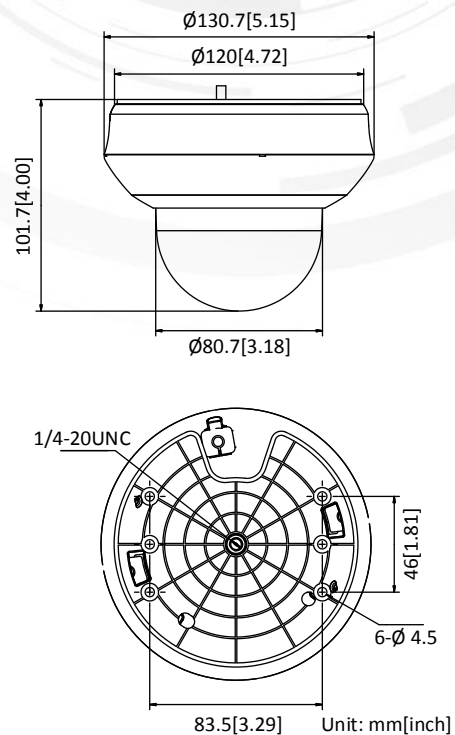
Key Features

- 1/3" progressive scan CMOS
- Up to 2560 × 1440@25fps resolution
- Min. illumination:
Color: 0.005 Lux @(F1.6, AGC ON)
B/W: 0.001 Lux @(F1.6, AGC ON)
0 Lux with IR
- 4 × optical zoom, 16 × digital zoom
- 120 dB WDR, 3D DNR, EIS, Regional Exposure, Regional Focus
- 12 VDC & PoE
- Up to 20 m IR distance
- IK10, IP66
- Support H.265+/H.265 video compression
- Built-in microphone

Available Model

- PTZ-N2404I-DE3 (C)

Dimension



Specification

Camera Module	
Image Sensor	1/3" progressive scan CMOS
Min. Illumination	Color: 0.005 Lux @(F1.6, AGC ON) B/W: 0.001 Lux @(F1.6, AGC ON) 0 Lux with IR
White Balance	Auto/Manual/ATW (Auto-tracking White Balance)/Indoor/Outdoor/Fluorescent Lamp/Sodium Lamp
Gain	Auto/Manual
Shutter Time	50Hz: 1/1 s to 1/30,000 s 60Hz: 1/1 s to 1/30,000 s
Day & Night	IR Cut Filter
Digital Zoom	16 ×
Privacy Mask	24 programmable privacy masks
Focus Mode	Auto/Semi-automatic/Manual
WDR	120 dB WDR
Lens	
Focal Length	2.8 mm to 12 mm, 4× optical zoom
Zoom Speed	Approx. 2 s (optical lens, wide-tele)
Field of View	Horizontal field of view: 96.7° to 31.6° (Wide-Tele) Vertical field of view: 51.1° to 17.7° (Wide-Tele) Diagonal field of view: 115.1° to 36.3° (Wide-Tele)
Working Distance	10 mm to 1500 mm (wide-tele)
Aperture Range	F1.6 to F2.7
PTZ	
Movement Range (Pan)	0° to 355°
Pan Speed	Configurable, from 0.1°/s to 100°/s, Preset speed: 100°/s
Movement Range (Tilt)	From 0° to 90°
Tilt Speed	Configurable, from 0.1°/s to 100°/s Preset Speed: 100°/s
Proportional Zoom	Yes
Presets	300
Power-off Memory	Yes
Compression Standard	
Video Compression	Main Stream: H.265+/H.265/H.264+/H.264 Sub-stream: H.265/H.264/MJPEG Third Stream: H.265/H.264/MJPEG
H.264 Type	Baseline Profile/Main Profile/High Profile
H.264+	Yes
H.265 Type	Main Profile
H.265+	Yes
Video Bitrate	32 Kbps to 16384 Kbps
Audio Compression	G.711alaw/G.711ulaw/G.722.1/G.726/MP2L2/PCM
Audio Bitrate	64 Kbps (G.711)/16 Kbps (G.722.1)/16 Kbps (G.726)/32 Kbps to 192 Kbps(MP2L2)
SVC	Yes
Smart Features	
Basic Event	Motion Detection, Video Tampering Detection, Exception
Smart Event	Face detection, intrusion detection, line crossing detection, region entrance detection, region exiting detection, object removal detection, unattended baggage detection, audio exception detection

Smart Record	ANR (Automatic Network Replenishment), Dual-VCA
ROI	Main stream, sub-stream, and third stream respectively support four fixed areas.
IR	
IR Distance	20 m
Smart IR	Support
Image	
Max. Resolution	2560 × 1440
Main Stream	50Hz: 25fps (2560 × 1440, 2048 × 1536, 1920 × 1080, 1280 × 960, 1280 × 720) 60Hz: 24fps (2560 × 1440), 30fps (2048 × 1536, 1920 × 1080, 1280 × 960, 1280 × 720)
Sub-Stream	50Hz: 25fps (704 × 576, 640 × 480, 352 × 288) 60Hz: 30fps (704 × 480, 640 × 480, 352 × 240)
Third Stream	50Hz: 25fps (1280 × 720, 704 × 576, 640 × 480, 352 × 288) 60Hz: 30fps (1280 × 720, 704 × 480, 640 × 480, 352 × 240)
Image Enhancement	3D DNR, EIS, Regional Exposure, Regional Focus
Network	
Network Storage	Built-in memory card slot, support Micro SD/SDHC/SDXC, up to 256 GB; NAS (NFS, SMB/CIFS), ANR
Alarm Linkage	Alarm actions, such as Memory Card Video Record, Trigger Recording, Notify Surveillance Center, Upload to FTP/Memory Card/NAS, Send Email, etc.
Protocols	IPv4/IPv6, HTTP, HTTPS, 802.1x, Qos, FTP, SMTP, UPnP, SNMP, DNS, DDNS, NTP, RTSP, RTP, TCP/IP, DHCP, PPPoE, Bonjour
API	ONVIF (Profile S, Profile G, Profile T), ISAPI, SDK
Simultaneous Live View	Up to 20 channels
User/Host	Up to 32 users 3 levels: Administrator, Operator and User
Security Measures	User authentication (ID and PW), Host authentication (MAC address); HTTPS encryption; IEEE 802.1x port-based network access control; IP address filtering
Client	iVMS-4200, Hik-Central, Hik-Connect
Web Browser	IE 8 to 11, Chrome 31.0+, Firefox 30.0+, Edge 16.16299+
Interface	
Audio Interface	1-ch audio input (mic in/line in) and 1-ch audio output (line out) 1 built-in microphone
Network Interface	1 RJ45 10 M/100 M Ethernet, PoE
Power Output	12 VDC, max. 60 mA
General	
Language (Web Browser Access)	32 languages. English, Russian, Estonian, Bulgarian, Hungarian, Greek, German, Italian, Czech, Slovak, French, Polish, Dutch, Portuguese, Spanish, Romanian, Danish, Swedish, Norwegian, Finnish, Croatian, Slovenian, Serbian, Turkish, Korean, Traditional Chinese, Thai, Vietnamese, Japanese, Latvian, Lithuanian, Portuguese (Brazil)
Power	12 VDC (Max. 9.9 W, including max. 4.2 W for IR) PoE 802.3af (Max. 11.2 W, including max. 4.2 W for IR)
Working Temperature	-20°C to 60°C (-4°F to 140°F)
Working Humidity	≤ 90%
Protection Level	IP66 standard, IK 10, surge protection, ±2kV Line to Gnd, ±1kV Line to Line, IEC61000-4-5
Material	Aluminum alloy, PC, PC+ABS
Dimensions	Φ 130.7 mm × 101.7 mm (Φ 5.15" × 4.00")
Weight	Approx. 0.53 kg (1.17 lb)

Accessory

Optional



HIA-B404-PT

Wall Mounting Bracket