

# REFLECTOR BEAM

**PR-1B** 3.3' (1m)

**PR-5B** 16.4' (5m)

**PR-10B** 33' (10m)



**PR-1B & PR-5B**



# TAKEX<sup>®</sup>

The TAKEX Internal Reflector Beam Series is designed for applications where a "beam break" is desirable, but running wire to both ends is impractical. Three different models offer the same point-to-point protection as standard photoelectric beams. A pocket calculator sized beam designed for unobtrusive protection.

## Features

- **PR-1B**  
A range of 3.3' (1m) max. non reflector type
- **PR-5B**  
A range of 16.4' (5m) max. single reflector
- **PR-10B**  
A streamlined, surface mounted unit with a range of 33' (10m)  
Beam direction can be rotated a full 180° (double reflector)



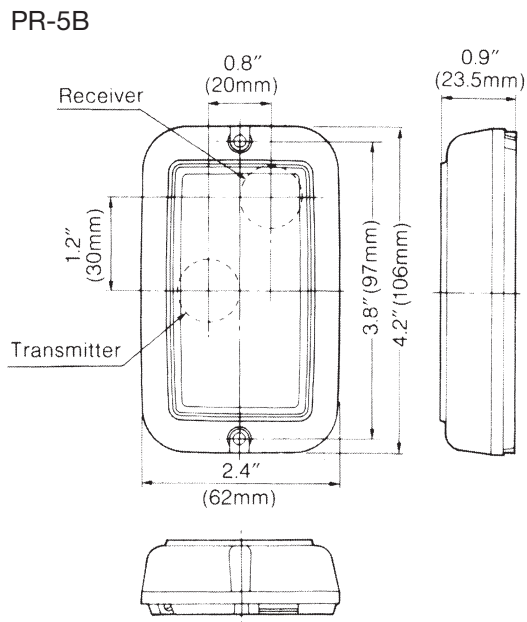
**PR-10B**

# Specifications

Model	Reflector Beams		
	PR-1B	PR-5B	PR-10B
Model Number	PR-1B	PR-5B	PR-10B
Range (Max. Distance)	3.3' (1m) or less	16.4' (5m)	33' (10m)
Light Source	Direct reflective detection of motionless objects		
Alarm Output	Dry contact relay output: 1c	SPDT, FORM C RELAY	SPST normally closed
Response Time	100 msec, or more	50~100 msec.	50~100 msec.
Temperature Range	-20 °C to +50 °C (-4 °F to +122 °F)		
Operating Voltage	10.5V to 22VDC (Non-polarity)	12~28VDC (8~20V AC)	12V DC (10.5~15V AC)
Current Consumption	60 mA or less (@ 12V DC)	25 mA (@ 12V DC)	30 mA (@ 12V DC)
Horizontal Angle Adjustment	None	None	180 °
Terminal Type	Terminal strip		Flying leads Jacketed cable
Physical Dimensions (W x H x D)	62mm x 106mm x 23.5mm		62mm x 158mm x 62mm
Reflector Required	No	Yes	
Weight	75g	75g	220g

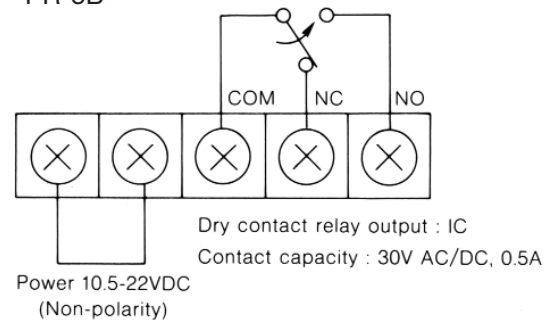
Due to ongoing product improvements, specifications may change without notice.

## Physical Dimensions (mm/inch)

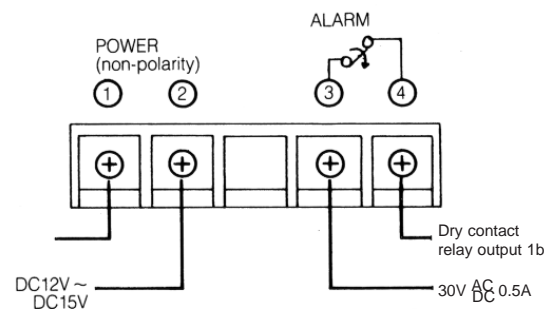


## Terminal Layout

PR-1B  
PR-5B



PR-10B



**Note:** This reflector beam is designed to detect passing objects and to initiate a signal. It is not a burglar-preventing device. TAKEX is not responsible for damages or losses caused by accidents, thefts, Acts of God (including inductive lightning), abuses, misuses, abnormal usages, faulty installation or improper maintenance.



**TAKEX Europe Ltd.**

Aviary Court, Wade Road  
Basingstoke, Hants RG24 8PE, U.K.  
Tel: 44 (1256) 475555  
Fax: 44 (1256) 466268  
Email: sales@takexeurope.com  
Website: www.takexeurope.com

PR-1B DS-12 03  
(CRI-145)