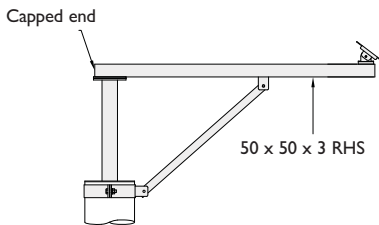


Offset Side Arms Brackets for Tubular Poles & Box Section Columns

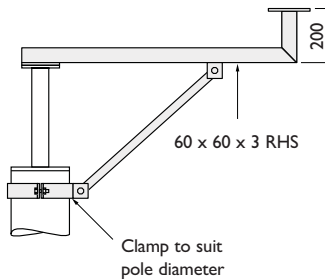
POB (Ø*) SF

Pole top offset arm for fixed camera



POBI (Ø*) SPT

Pole top offset arm for PTZ camera



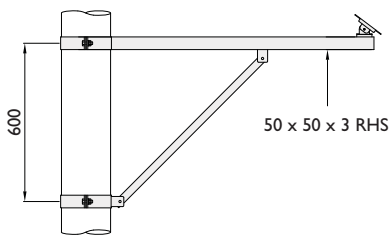
Part No.	Load capacity	
For Fixed Cameras	PTS-I	HAS-I
● POB (Ø*) 600/SF	10 Kgs	25 Kgs
● POB (Ø*) 1000/SF	10 Kgs	25 Kgs
● POB (Ø*) 1200/SF	10 Kgs	20 Kgs
● POB (Ø*) 1500/SF	10 Kgs	15 Kgs
For PTZ Cameras	Load capacity	
● POB (Ø*) 600/SPT	25 Kgs	
● POB (Ø*) 1000/SPT	25 Kgs	
● POB (Ø*) 1200/SPT	20 Kgs	
● POB (Ø*) 1500/SPT	15 Kgs	

* Followed by pole diameter

● Stock items

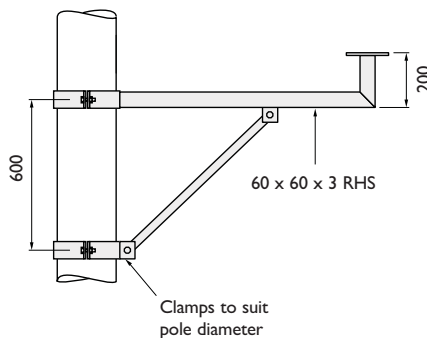
PMB (Ø*) SF

Pole mounting offset bracket for fixed camera



PMB (Ø*) SPT

Pole mounting offset bracket for pan & tilt camera



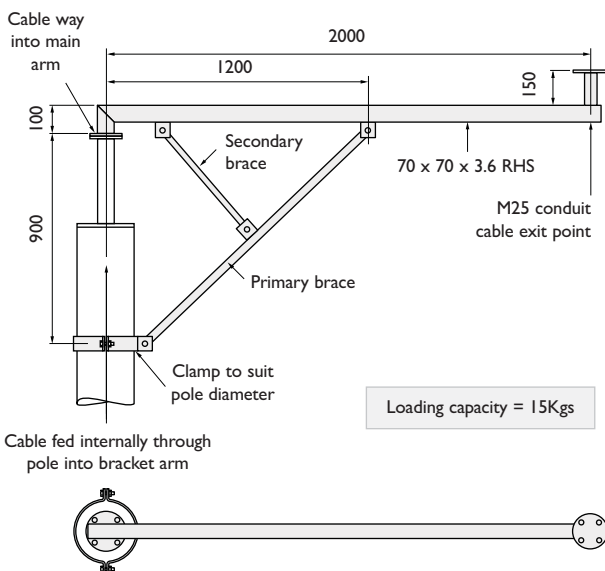
Part No.	Load capacity	
For Fixed Cameras	PTS-I	HAS-I
● PMB (Ø*) 600/SF	10 Kgs	25 Kgs
● PMB (Ø*) 1000/SF	10 Kgs	25 Kgs
● PMB (Ø*) 1200/SF	10 Kgs	20 Kgs
● PMB (Ø*) 1500/SF	10 Kgs	15 Kgs
For PTZ Cameras	Load capacity	
● PMB (Ø*) 600/SPT	25 Kgs	
● PMB (Ø*) 1000/SPT	25 Kgs	
● PMB (Ø*) 1200/SPT	20 Kgs	
● PMB (Ø*) 1500/SPT	15 Kgs	

* Followed by pole diameter

● Stock items

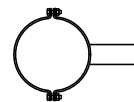
POBI-2000 SPT

Pole top 2m off set arm for pan & tilt camera

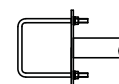


Loading capacity = 15Kgs

Bracket clamps for tubular poles (POB-PMB)



Bracket clamps for box section columns (COB-CMB)



All part numbers noted above are for brackets to fit tubular poles. For brackets to fit box section columns replace POM/PMB prefixes with COB/CMB. State column section size instead of pole diameter.

For extended offset brackets, it is important than on tilt down products, the arm is orientated in the direction of tilt. Please refer to P103 for full explanation.

All brackets for camera mounting have a Ø127 mounting plate with 8 no Ø8.5 equi - spaced on 101.6 PCD