

## EVCS Type A

### Outstation

The EVCS Type A Outstation is designed to fully comply with BS5839-Part 9:2011 for use as a Fire Telephone system, Disabled Refuge Call system or as a combined system when both Fire Telephones and Disabled Refuge Points are required.

The Type A Outstation is a monitored phone handset providing full duplex speech capability. The unit is available as a surface mounting or flush mounting unit cased in a metal wall mounting enclosure.

It's a slick compact unit which offers easy access via a magnetic push catch door and a unique front levelling system allowing the back box to be mounted at a slight angle whilst still retaining a true front face and door.

The Type A Outstation is compatible with all EVC systems for use as a standard Fire Telephone or Disabled Refuge call point.



#### TECHNICAL SPECIFICATION EVCS-HSP (SURFACE MOUNTED)

##### Dimensions:

Height	320 mm
Width	152 mm
Depth	85 mm
Weight	1.4 Kg (no batteries)

#### TECHNICAL SPECIFICATION EVCS-HFP (FLUSH MOUNTING)

##### Dimensions (with bezel):

Height	334 mm
Width	191 mm
Depth	87 mm

##### Dimensions (backbox hole):

Height	320 mm
Width	152 mm
Depth	85 mm
Weight	1.4 Kg (no batteries)

### KEY FEATURES

- Compact design
- High volume ringer
- Status LED
- Telecoil for hearing impaired users
- Full duplex operation
- Lock door option available
- Magnetic push catch, for quick and easy access
- Stainless steel option
- Versatility, the unit can be used on all EVCS systems
- Dual use, the Type A Outstation can be used as a fire telephone or a disabled refuge call point

### STATUS LED

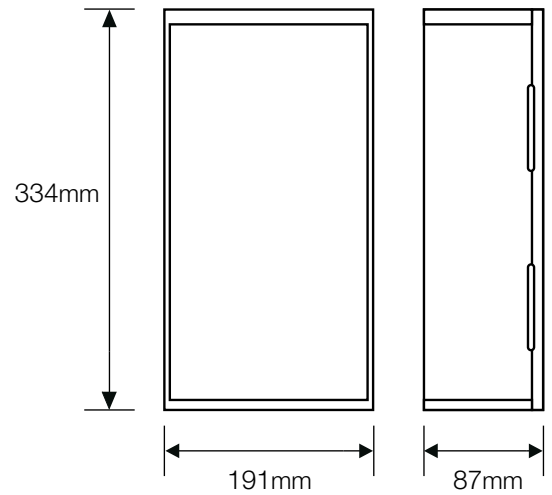
Flashing when ringing

Dimly lit to indicate surveillance

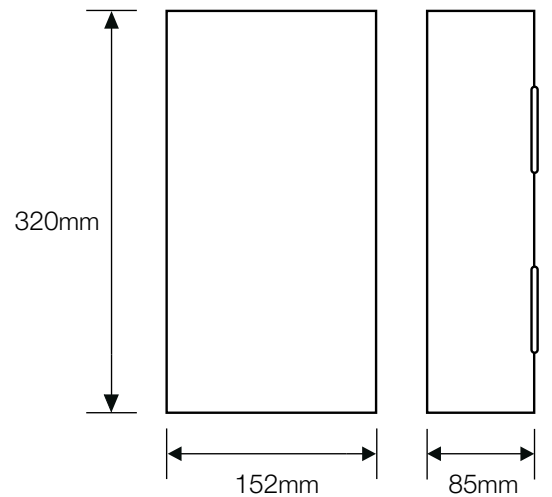
### ORDER CODES

Model:	Description:
EVCS-HFP	Flush Outstation Push Door, Type A
EVCS-HSP	Surface Station Push Door, Type A
EVCS-HSL	Surface Outstation Lock Door, Type A
EVCS-HFPSS	Flush Outstation Type A, Push Door, Stainless Steel
EVCS-HSPSS	Surface Outstation Type A, Push Door, Stainless Steel

### EVCS-HFPSS and EVCS-HFP Flush Mount



### EVCS-HSPSS and EVCS-HSP Surface Mount



### Honeywell

Tel: +44 (0) 116 246 2000

Fax: +44 (0) 116 246 2300

Email: [hlsuksalesupport@honeywell.com](mailto:hlsuksalesupport@honeywell.com)

140 Waterside Road

Hamilton Industrial Park

Leicester

LE5 1TN

October 2015  
© 2015 Honeywell International Inc.

**Honeywell**

# Type A Outstation IP65

## Lockable Surface Mount

The EVCS Type A outstation is designed to fully comply with BS5839 Part 9 2011 for use as a Fire Telephone system, Disabled Refuge Call system or as a combined system when both Fire Telephones and Disabled Refuge Points are required.

The EVCS-HFW is a Type A EVCS outstation compatible with the Compact and Network systems. It is supplied in an IP65 case fitted with a standard firemans key lock to prevent unauthorised use.

The Type A outstation is a monitored phone handset providing full duplex peech capability.

### Mounting The Unit

The Handset should be mounted at a height of either 1200mm from the floor, or on a 1400mm centre line to comply with the requirements of Building Regulations Document M (Access for the Disabled). The back box has four indented feet to allow mounting on uneven walls.

If the unit is to be used as a refuge point suitable space must be allowed to the side of the unit to allow a wheelchair to be parked for using the system.



### TECHNICAL SPECIFICATION EVCS-HFW

#### Dimensions:

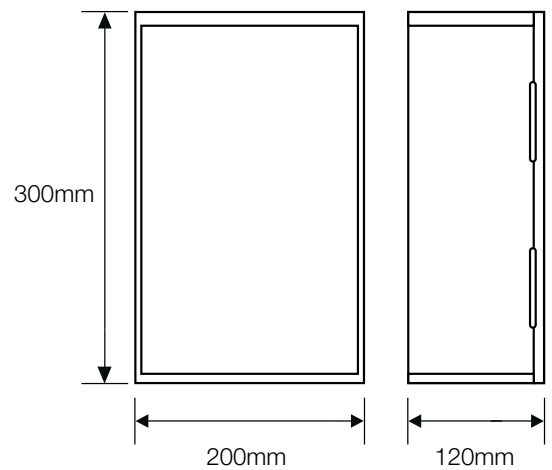
Height	300 mm
Width	200 mm
Depth	120 mm
Material	Zintec, Powder coated
Colour	RAL7035 Grey
Weight	2.5Kg

### KEY FEATURES

- Telephone type handset
- Automatic dialling to Compact Handset when 'off hook'
- Fitted with a standard firemans key lock to prevent unauthorised use
- Telecoil for hearing impaired users

OUTSTATION CABLES	
Type	Enhanced
Cores	2 core 1mm or 1.5mm
Distance	500m
ELECTRICAL SPECIFICATION	
Fully monitored connections	DC open, DC Short and Earth Fault
STATUS LED	
Flashing when ringing	
Dimly lit to indicate surveillance	
STANDARDS	
EMC	EN55103-1, EN55103-2
LVD	EN60950
Product Family	BS 5839-9 & BS 9999 & EN 60118-4

### Type A Outstation IP65 EVCS-HFW



ORDER CODES	
Model:	Description:
EVCS-HFW	Type A Outstation IP65 Lockable Surface Mount
EVCS-HSP	Surface Outstation Push Door, (Red) Type A
EVCS-HFP	Flush Outstation Push Door, (Red) Type A
EVCS-HSPSS	Surface Outstation Push Door (Stainless Steel) Type A
EVCS-HFPSS	Flush Outstation Push Door (Stainless Steel) Type A

#### Honeywell

Tel: +44 (0) 116 246 2000  
 Fax: +44 (0) 116 246 2300  
 Email: [hlsuksalesupport@honeywell.com](mailto:hlsuksalesupport@honeywell.com)  
 140 Waterside Road  
 Hamilton Industrial Park  
 Leicester  
 LE5 1TN

October 2015  
 © 2015 Honeywell International Inc.

**Honeywell**