



DIAx MOTORISED LOCKS

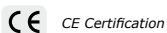
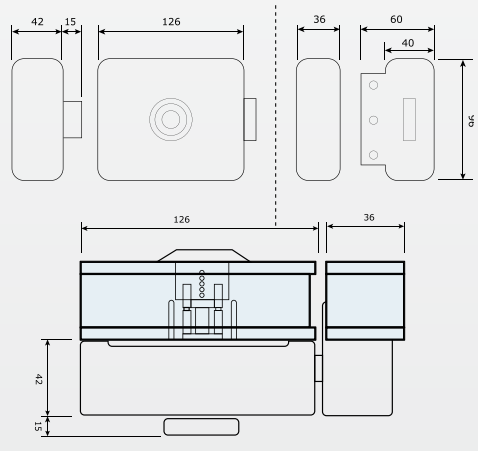
▶ A RANGE OF MOTORISED LOCKS TO SECURE YOUR ACCESSES

MV Motorised locks



- **Treated steel.**
- **Motorized fail secure.**
- **Reversible.**
- **Surface mount.**
- **Ideal for installations on gates or cellar doors.**
- **Quiet operation.**
- **Robust.**
- **Audible position indicator.**
- **Option of connecting to all types of access control devices (Digicode® keypad, Proximity, RF, etc.).**
- **Available in versions:**
 - cylinder only (MVA),
 - cylinder + knob (MVM)
 - double cylinders (MVM2C).

- Input and output deadlocking bolt.
- Nylon gears: noise reduction, less friction, no rust.
- Varnish-coated PCB.
- Connections by terminal block for easier connection.
- Magnetic contact recognition for automatic re-locking in closed door position.
- Audible signal in the event of a locking error.
- Strike delivered in 2 parts, offering several frontal and transversal assembly possibilities.
- Standard delivery: one round cylinder with 3 keys + adjustable cylinder follower on a door with a thickness of 40 to 90mm.
- Input voltage: 12V dc.
- Low consumption:
 - 20mA in standby,
 - 410mA rush current.



Recommended power supplies



CODE	REFERENCE	DESCRIPTION
F0529000017	MVA	MOTORISED DEADBOLT
F0529000018	MVM	MOTORISED DEADBOLT WITH MANUAL UNLOCK
F0529000046	MVM2C	MOTORISED DEADBOLT WITH MANUAL UNLOCK - 2 CYLINDERS

* Refer to Limited Lifetime Warranty Conditions.