

FIGURE 1

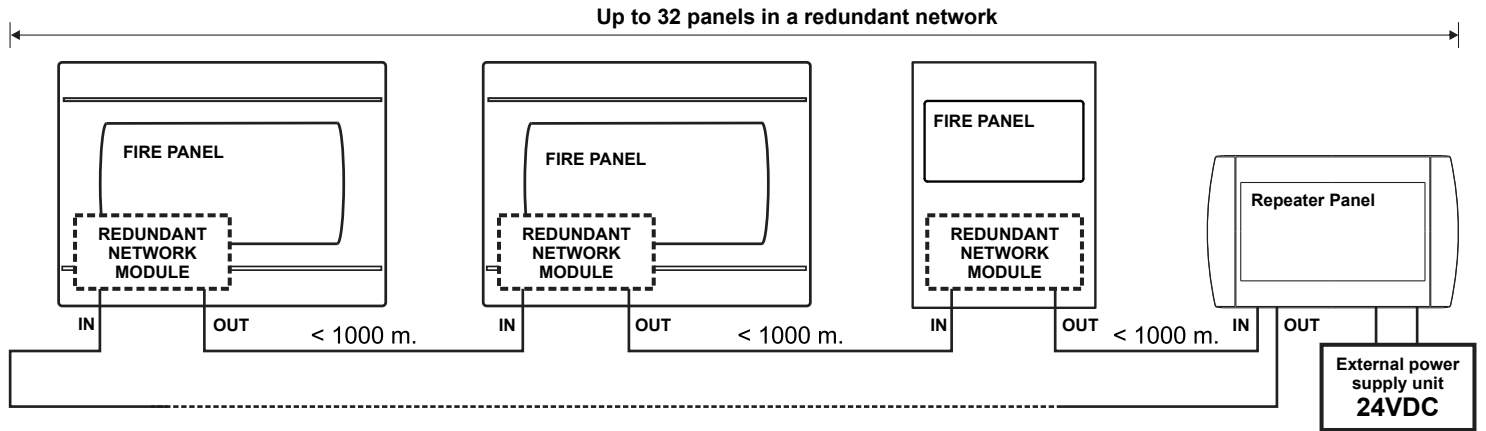
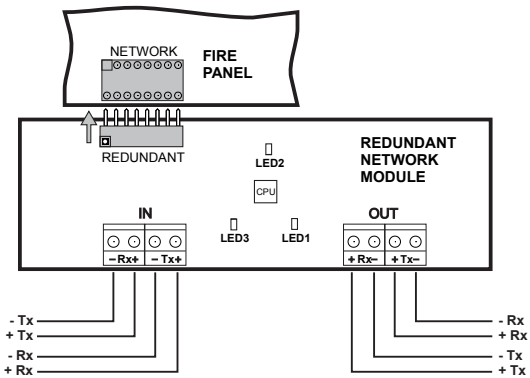
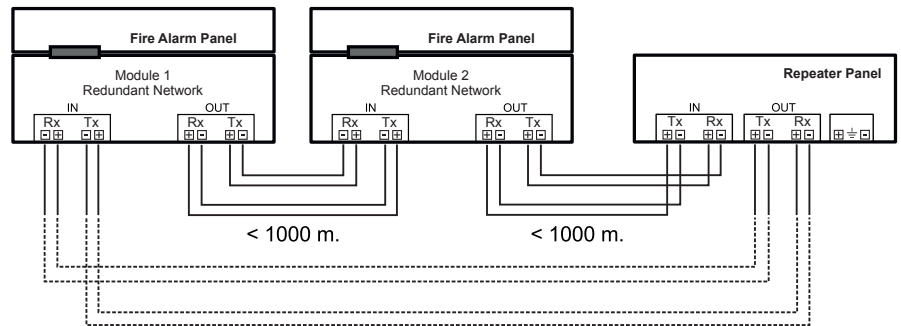


FIGURE 2



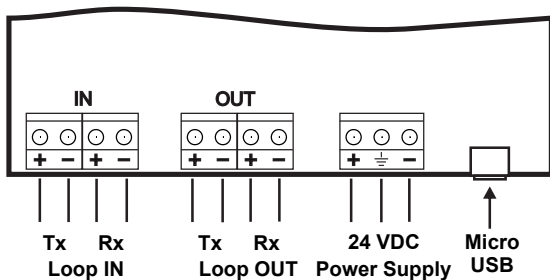
Connection between Redundant module and Fire Panel

FIGURE 3



Repeater Panel - Instruction Manual

1. Description of the terminal rows



- Loop IN** - Connect the input line for communication
- Loop OUT** - Connect the output line for communication
- Power Supply** - Power supply for the repeater panel:
 - Use external 24VDC power supply unit;
 - Use the AUX output of the fire alarm panel.
- Micro USB** - Micro USB input for programming and firmware update

ATTENTION!

Operation with Repeater Panel is supported for the following revisions:

Fire Alarm Panel

LCD PCB Hardware revision: 2.4 and higher
MAIN Board Firmware revision: 4.2 and higher

Fire Alarm Panel

MAIN Board Firmware revision: 2.8 and higher

Technical Characteristics:

Power Supply: (24 ± 4) VDC
Max. consumption: 0.11A
Communication - RS485

Twisted pair cable:

- Length - max. 1000m (between repeater - fire panel)
- Cross Section - 0.5 - 2.5mm²

2. Connection Diagram

