

MAGPRO-DBS

Intelligent analogue addressable
fire alarm base with built-in sounder
MAGPRO-DBS

CE1293

1293-CPR-0387
EN54-3, Sounder Type A
2013

Distributor: Elite Security Products Ltd,
Unit 7 Target Park, Shawbank Road
Lakeside, Redditch B98 8YN, UK
<http://www.espuk.com>

Manufacturer: Teletek Electronics JSC
Address: 14A Srebarna Str, 1407 Sofia,
Bulgaria
[Http://www.teletek-electronics.com](http://www.teletek-electronics.com)

Installation Instruction

MAGPRO-DBS is an addressable Fire Base with built-in Sounder in its body. The fire base is designed for installing in addressable fire alarm systems which support operation via MAGPRO communication protocol. The device is powered on from the panel and can be controlled via the communication protocol.

The addressable MAGPRO-DBS fire base supports 32 different tone types at two sound levels. The tone type and sound level are programmed from the control panel.

The MAGPRO-DBS is compatible for operation with MAGPRO addressable detectors series: HD1, SD1 and HSD1. The device is designed for easy installation and consists from two parts: mounting plane basis and sounder is a body with factory mounted fire base.

Installation Instructions

Attention: Power off the loop circuit before installing the MAGPRO-DBS addressable fire base!

1. Choose the proper place for installation of the device.
2. Set the device address using MAGPRO-PROG or directly from addressable fire panel. The address must be in the range from 1 to 250.
3. Fix the mounting plane basis on the ceiling of the protected premises using fixings according the mounting surface.
4. Run the loop wires and fix the sounder body to the mounting basis using the supplied screws in the spare parts kit.
5. Connect the fire base to the fire panel using the wiring diagram.

6. Insert a detector - MAGPRO HD1/ SD1/ HSD1 - into the fire base and rotate clockwise until it drops into place - the short mark on the base fits with that on the sounder body. Continue to rotate the detector until its mark coincides with the long mark on the base - a click is heard.

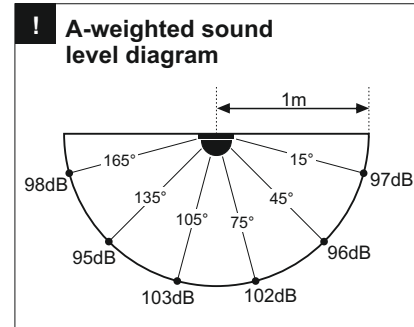
Note: The mounted detector on the MAGPRO-DBS base is assigned at different address to the control panel!

7. Program the sounder parameters. Refer to the Programming manual of the control panels MAGPRO16 and MAGPRO96 for more details.

8. Test the sounder for proper operation.

TECHNICAL SPECIFICATIONS

Operating Voltage Range	15 - 32VDC
Maximal consumption at communication	470 μ A @ 27VDC
Maximal consumption:	
- main tone type 27, low volume level	2.8 mA @ 27VDC
- main tone type 27, high volume level	9.8 mA @ 27VDC
Power volume (main tone type 27):	
- low volume (up to 100 pcs MAGPRO DBS to the loop)	~ 92dB (A) \pm 3dB @ 1m
- high volume (up to 30 pcs MAGPRO DBS to the loop)	~ 99dB (A) \pm 4dB @ 1m
Power volume (other tone types):	
- low volume (up to 100 pcs MAGPRO DBS to the loop)	82-92dB \pm 3dB @ 1m
- high volume (up to 30 pcs MAGPRO DBS to the loop)	90-100dB \pm 3dB @ 1m
Number of tone types	32
Supported communication protocol	MAGPRO
Wire Gauge for terminals	0,4 - 2.0mm ²
Relative humidity resistance	(93 \pm 3)% @ +40°C
Color	White
Material	ABS
Dimensions with mounted detector MAGPRO HD1/ SD1	102 x 63mm
Dimensions with mounted detector MAGPRO HSD1	102 x 70mm



**ATTENTION: Read carefully this installation
Instructions before installing the device!
This manual is subject to change without notice!**

! Installation



IP21C



-10°C ÷ +60°C



~127g

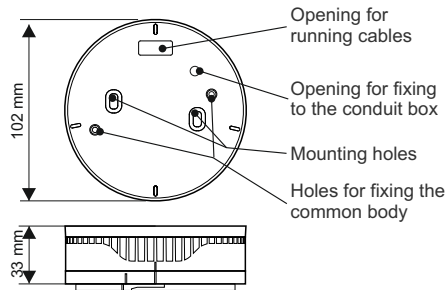


Indoor use



Outdoor use

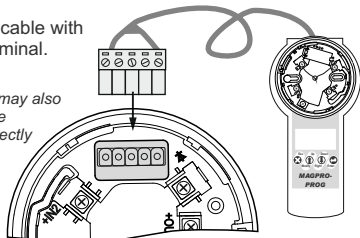
1 Dimensions and Mounting



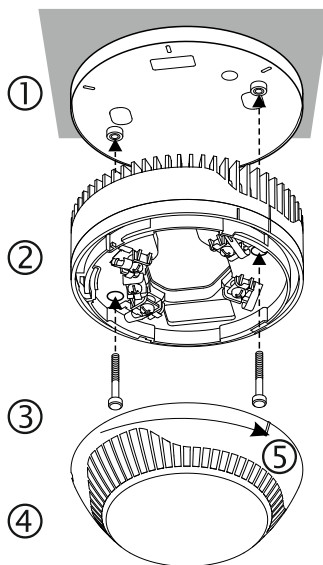
2 Address programming

- Use the cable with 5-pin terminal.

Note: You may also program the address directly from the fire panel.



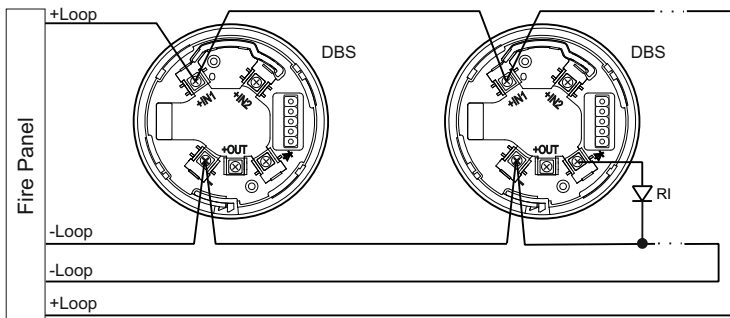
3 Installation



4 Tone types and description

Tone	Tone Type	Tone Description
1		970Hz
2		800Hz/970Hz @ 2Hz
3		800Hz - 970Hz @ 1Hz
4		970Hz 1s OFF/1s ON
5		970Hz, 0.5s/ 630Hz, 0.5s
6		554Hz, 0.1s/ 440Hz, 0.4s (AFNOR NF S 32 001)
7		500 - 1200Hz, 3.5s/ 0.5s OFF (NEN 2575:2000)
8		420Hz 0.625s ON/0.625s OFF (Australia AS1670 Alert tone)
9		500-1200Hz, 0.5s/0.5s OFF x 3/1.5s OFF (AS1670 Evacuation)
10		550Hz/440Hz @ 0.5Hz
11		970Hz, 0.5s ON/0.5s OFF x 3/ 1.5s OFF (ISO 8201)
12		2850Hz, 0.5s ON/0.5s OFF x 3/1.5s OFF (ISO 8201)
13		1200Hz - 500Hz @ 1Hz (DIN 33 404)
14		400Hz
15		550Hz, 0.7s/1000Hz, 0.33s
16		1500Hz - 2700Hz @ 3Hz
17		750Hz
18		2400Hz
19		660Hz
20		660Hz 1.8s ON/1.8s OFF
21		660Hz 0.15s ON/0.15s OFF
22		510Hz, 0.25s/ 610Hz, 0.25s
23		800/1000Hz 0.5s each (1Hz)
24		250Hz - 1200Hz @ 12Hz
25		500Hz - 1200Hz @ 0.33Hz
26		2400Hz - 2900Hz @ 9Hz
27		2400Hz - 2900Hz @ 3Hz 2500Hz (main sound frequency)
28		800Hz - 970Hz @ 100Hz
29		800Hz - 970Hz @ 9Hz
30		800Hz - 970Hz @ 3Hz
31		800Hz, 0.25s ON/1s OFF
32		500Hz - 1200Hz, 3.75s/0.25s OFF (AS2220)

5 Wiring Diagrams



RI - Remote Indicator; +Loop - Positive loop wire; -Loop - Negative loop wire