

The M-PROX-2 is an IP65 RFID style access control reader designed to work with the 13.56MHz frequency cards or fob technology. The reader emits a back lit blue light when powered, turning green / red when a card / fob is presented. The reader also has tamper and reverse power polarity protection built in. Output technology is Wiegand 32 bit meaning it will be compatible with many access control systems within the market and makes it a great choice for any installer looking for an aesthetically pleasing generic access control 13.56MHz reader.

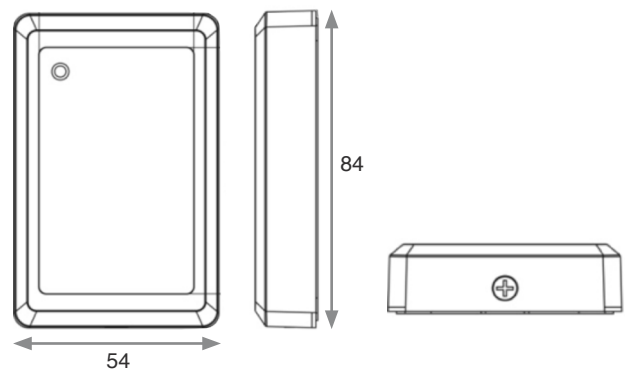


M-PROX-2

Key Features

- Reads CSN and full UID of 13.56MHz card
- Static charge protection on input and output signals
- IP65 rating
- Reverse polarity protection
- Tamper protection
- Customisable back lit plate design available

Dimensions (mm)



Specification

Model Number	M-PROX-2
Reader Output Format	CSN/UID 32 bit
Reader Connection Type	40cm fly lead
Buzzer Control	Reader and controller control
LED / Back Lit Control	Defines different LED colour response based on LED input
Typical Read Range	3.5cm
Frequency	13.56MHz
Reader Standard Output	Wiegand 32 bit (Default)
Wiring Distance	100m (22AWG with shielded cable)
Operating Voltage	DC10~15V
Operating Current	150mA (Max.)
Operating Temperature	-30°C ~ 70°C
Operating Humidity	10% - 90%
Case Material	PC & ABS Black
Dimensions	84 (L) x 54 (W) x 16.5 (H) mm

Genie Access reserves the right to change specifications without notice. Please contact your representative to confirm current specifications.