

Genesis 2 Hard Wired PIR Detector

For event driven CCTV



2a Bellevue Road, Friern Barnet, London N11 3ER
 T. 020 8368 7887 F. 020 8368 3952
 info@luminite.co.uk

Product Overview

Genesis 2 is a stylish design utilizing High Performance Special Black Optical Mirrors and Quad Element Pyro Sensors for highly responsive, accurate detection with excellent false alarm immunity.

The view angle is covert and cannot be ascertained by looking at the product. Additionally the product is less prone to unauthorised adjustment as there are no external movable parts.

The enclosure is a pleasing silver colour with a white window making it suitable for modern design buildings whilst disguising its true purpose. Weather rating is IP66 and has two options for cable entry.

Powered from an external power supply, this product has a versatile input voltage range that can range from 12 volts to 24 volts AC or DC and there are two optically isolated relay contacts to provide alarm and tamper.

Two detection range types are available to choose from when ordering which give different coverage as shown in the Detection Patterns below. Distance can be adjusted from longer to shorter as required.

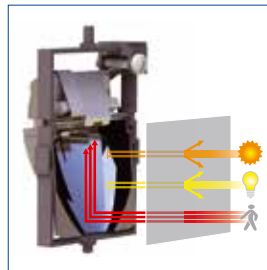
Walk testing is made simple by the facility to plug on a temporary transmitter module (TXG2) which will work with the LGWT434 Genesis walk test instrument, thus enabling accurate area coverage setting.



Internal adjustment allows a full left to right adjustment of the mirror position with $\pm 90^\circ$ and also downward tilt of 15° . Full RF shielding over sensitive circuitry.

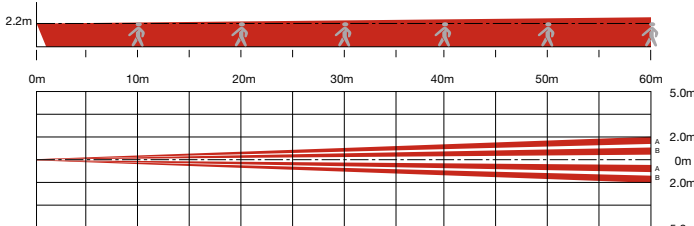


New easy access programme feature with LED display makes set up and testing very simple.



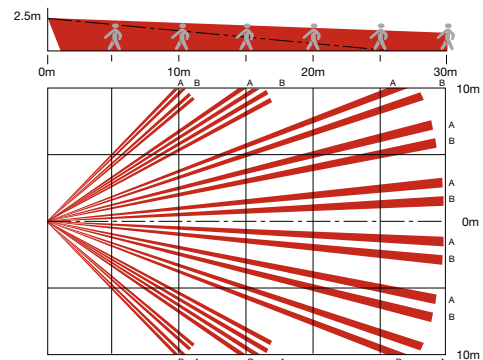
The special black mirror has the most efficient absorption of white light and ensures common sources of false alarms such as sun light or car headlights are rejected.

Available Detection Patterns



LG2WP6004 - 60m Long Narrow Range

Provides coverage of 60 metres out by 4 metres across. This is ideal for perimeter coverage.



LG2WP3020 - 30m Wide Range

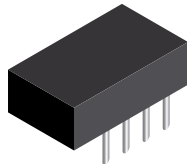
Provides coverage of 30 metres out by 20 metres across



For Use With Genesis 2



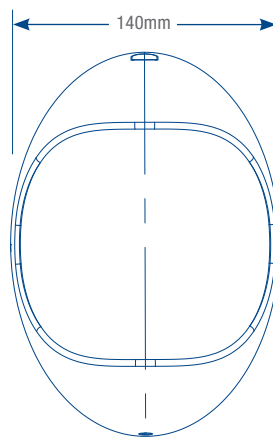
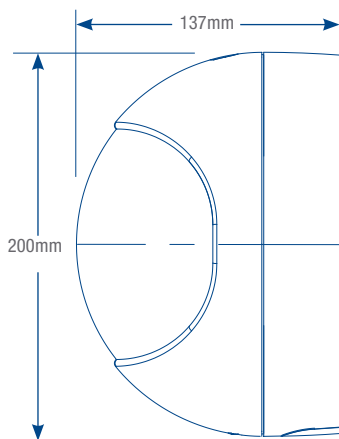
LGWT434
Walk Test Instrument



TXG2
Walk Test Transmitter Module

For more information see separate datasheets

Dimensions



Specifications

Supply	12V to 24V AC or DC
Power consumption	20m/a
Alarm contacts	N/C or N/O (selectable) 30VDC 1amp
Tamper contacts	N/C or N/O (selectable) 30VDC 1amp
Tampers	Rear/front/shock/anti-mask
Sensor type	Quad in line
Mirror optics	Adaptive focal length
White light filtering	Special black mirror coating
Area coverage options	30 x 20m Wide range & 60 x 4m Long Narrow range
Adjustment	Left to right +- 90° Tilt 15°
Temperature range	-10 to + 70°C
Weather rating	IP66
Enclosure	Durable ABS UV stabilized. Colour silver grey.
Cable entrances	20mm conduit or through two IP67 rear glands



All trademarks are used courtesy of registered owners.
 Genesis is a registered trademark of Luminite Electronics Ltd.
 The manufacturer reserves the right to change specifications
 without notice.

