

Specification Sheet - LED Emergency Exit Sign

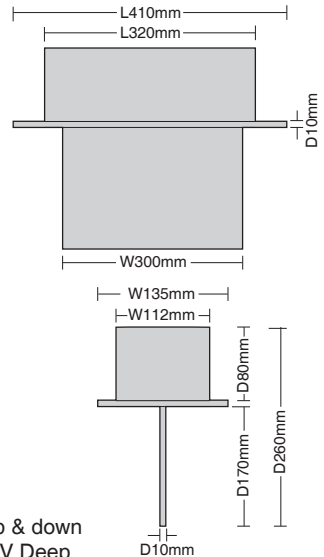


The LED Emergency Exit Sign is 3 hours emergency maintained, is IP20 rated and includes an arrow up legend.



Specification

Voltage:	220-240V
Wattage:	3.5W
Power Output:	1W
Lamp:	10 x white LED
Lumen Output:	61lm
Colour Temp.:	6000K
Emg. Duration:	3 hours
Charging Time:	24 hours
Guarantee:	1 year
IP Rating:	IP20
Life Expectancy:	6 years
Material:	Body: Steel, Legend: Polycarbonate
Battery:	Nickel cadmium 4.8V 0.6Ah
Working Temp:	0°C - 40°C
Extra Info:	Arrow up legend included. Left / right, up & down legends available. Maintained. White. 3.6V Deep discharge protection. 5.6V Overcharge protection. 1.95KG. 20mm Cable entries.



MODEL	WATTAGE	EMERGENCY	LUMEN OUTPUT	DIMENSIONS FACE PANEL (L x W x D MM)	DIMENSIONS BLADE (L x W x D mm)
LFACLED502B	3.5W	YES 3 HRS	61lm	410 x 135 x 10mm	300 x 170 x 10mm
EB	BLADE LEGEND LEFT / RIGHT FOR LFACLED502B				
EB-U	BLADE LEGEND UP FOR LFACLED502B				
EB-D	BLADE LEGEND DOWN FOR LFACLED502B				