

TIMEGUARD[®]

A **theben** Group Company

Weathersafe[®]

IP65 Isolator Switches

Model: IS3N-20 – 3 Pole, 20A
Model: IS4N-20 – 4 Pole, 20A

Model: IS3N-32 – 3 Pole, 32A
Model: IS4N-32 – 4 Pole, 32A

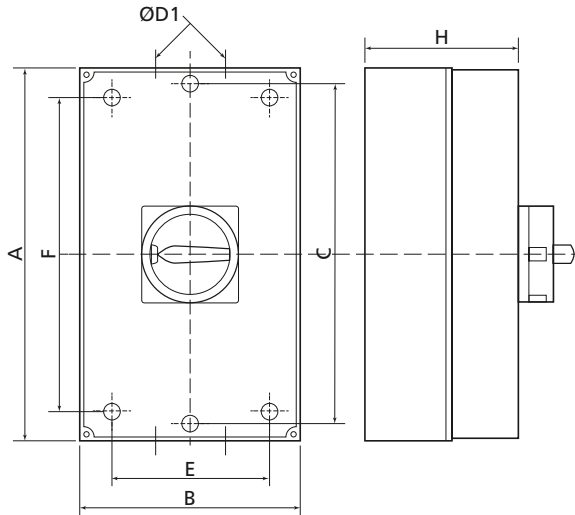


Model: IS4N-40 – 4 Pole, 40A
Model: IS4N-63 – 4 Pole, 63A

Model: IS4N-100 – 4 Pole, 100A

Installation & Operating Instructions

1. Dimensions



	A	B	C	D1	E	F	H
IS3N-20 IS4N-20	100	82	90	2x M20	60	60	65
IS3N-32 IS4N-32	141	100	126	2x M20/25	75	100	68
IS4N-40 IS4N-63	175	121	161	2x M20/25	96	135	91
IS4N-100	240	160	IS4	2x M25/32 1x M20	142	93	95

Please note that all instructions are to be left with the customer after installation

The Weathersafe Isolator range is manufactured from tough, durable thermoplastic, and is intended for use in an outdoor environment, or one in which the protection provided by the Weathersafe Extreme range is required. The protection level is IP65.

2. Installation Instructions

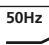
- These products should be installed by a competent person (e.g. qualified electrician) in accordance with these instructions and in compliance with the appropriate clauses of the current edition of the IEE wiring and building regulations.
 - The Weathersafe Isolator range is designed to be mounted on a vertical flat surface.
 - The rear box shall be mounted on the wall using fixings and wall plugs if necessary. The fixing dimensions are marked on the back of the rear box.
 - The front moulding can only be removed when the switch is on the OFF position.
 - The terminals should be tightened to a torque of 1.8Nm.
- Do not exceed the maximum cables sizes:
- 20A 2.5mm²
 - 32A 6mm²
 - 40A and 63A 16mm²
 - 100A 25mm²
- A cable gland of IP65 or higher should be used in order to maintain the IP rating.
 - The relevant cable entry knockout should be carefully removed by scoring the groove around the required knockout with a sharp knife and then tapping it out with a small hammer onto a screwdriver in the groove.
 - When re-assembling the enclosure ensure that the gasket is fully in place in order to retain the IP65 rating.
 - Tighten the screws supplied to refix the front cover in place. Do not overtighten. Use of an electric screwdriver is not recommended.
 - Advice should be sought before installing this product in an environment where it is likely to be subjected to chemicals, oils or solvents.

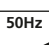
3. Cleaning

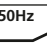
Care should be taken when cleaning this product.

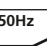
- Inside the lid should only be wiped with a clean dry cloth.
- The outside can be cleaned with mild detergent.
- Solvent based cleaners should not be used.

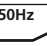
4. Specifications

IS3N-20 and IS4N-20							
Manual Motor Controller				EN60947-3			
MOTOR	120V	240V	415V		220V	415V	
3ph HP	1.5	3	5	lu = lth = AC21A	20A		
1ph HP	0.5	1.5	3	AC-23A 3ph	5.5kW		
	20A	415V AC		AC-3 1ph	4.0kW		

IS3N-32 and IS4N-32							
Manual Motor Controller				EN60947-3			
MOTOR	120V	240V	415V		220V	415V	
3ph HP	1.5	3	5	lu = lth = AC21A	32A		
1ph HP	0.5	1.5	3	AC-23A 3ph	7.5kW		
	32A	415V AC		AC-3 1ph	5.5kW		

IS4N-40							
Manual Motor Controller				EN60947-3			
MOTOR	120V	240V	415V		220V	415V	
3ph HP	3	7.5	15	lu = lth = AC21A	40A		
1ph HP	1.5	3	7.5	AC-23A 3ph	7.5kW	15kW	
	40A	415V AC		AC-3 1ph	7.5kW	11kW	

IS4N-63							
Manual Motor Controller				EN60947-3			
MOTOR	120V	240V	415V		220V	415V	
3ph HP	5	10	20	lu = lth = AC21A	63A		
1ph HP	2	5	10	AC-23A 3ph	11kW	22kW	
	63A	415V AC		AC-3 1ph	11kW	22kW	

IS4N-100							
Manual Motor Controller				EN60947-3			
MOTOR	120V	240V	415V		220V	415V	
3ph HP	10	25	50	lu = lth = AC21A	100A		
1ph HP	5	15	30	AC-23A 3ph	22kW	37kW	
	100A	415V AC		AC-3 1ph	18.5kW	30kW	

3 Year Guarantee

In the unlikely event of this product becoming faulty due to defective material or manufacture, within 3 years of the date of purchase, please return it to your supplier in the first year with proof of purchase and it will be replaced free of charge. For years 2 to 3 or any difficulty in the first year, telephone our helpline on 020 8450 0515.

Note: a proof of purchase is required in all cases. For all eligible replacements (where agreed by Timeguard) the customer is responsible for all shipping/postage charges outside of the UK. All shipping costs are to be paid in advance before a replacement is sent.

For assistance with the product please contact:

HELPLINE **020 8450 0515**

or email helpline@timeguard.com

www.timeguard.com

TIMEGUARD®

A **theben** Group Company

For a product brochure please contact:

Timeguard Limited.

Victory Park, 400 Edgware Road, London NW2 6ND

Sales Office: 020 8452 1112

or email csc@timeguard.com

67-058-525 (Issue 2)