

# IS-mC1 IS-minialert

The IS-mC1 is a compact combined 100dB(A) alarm sounder and L.E.D. beacon - only one Zener barrier or galvanic isolator required to run both sounder & beacon or alternatively the unit can be operated as individual signals.

Approvals include ATEX, IECEx and GOST-R for Zone 0 applications and FM approval for Class I Division 1 and Class I Zone 0 applications.

## Features

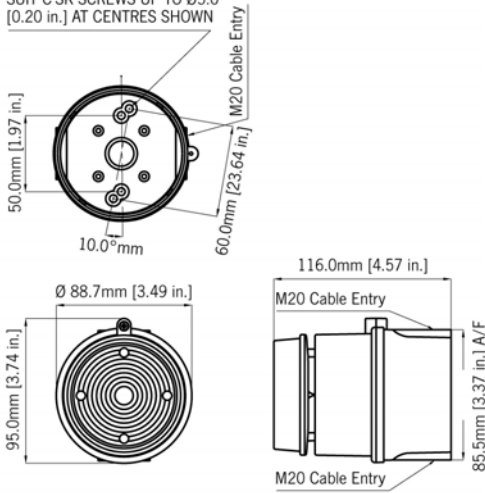
- Input overload and reverse current protection
- End of line resistor certified
- Auto synchronised sound output
- Prismatic lens optimises L.E.D effectiveness
- Available with custom tone configurations and frequencies

## Approvals

- ATEX certificate: SIRA 05ATEX2084X,  
EN 60079-0 : 2012, EN 60079-11 : 2012,  
IEC 60079-26 : 2014
- IECEx certificate: IECEx SIR 06.0045X,  
IEC 60079-0 : 2011, IEC 60079-11 : 2011,  
IEC 60079-26 : 2014
- FM approved:  
Class 3600 1998, Class 3610 1999  
Class 3810 2005
- GOST-R certificate: POCC G.B.JB05.B03365



2 PAIRS OF MOUNTING HOLES TO SUIT C'SK SCREWS UP TO Ø5.0 [0.20 in.] AT CENTRES SHOWN



# VIMPEX

Vimpex Limited

Star Lane, Great Wakering  
Essex SS3 0PJ England

Tel: +44 (0) 1702 216999

Fax: +44 (0) 1702 216699

E-mail: sales@vimpex.co.uk

[www.vimpex.co.uk](http://www.vimpex.co.uk)

## Specification

Alarm sander:

Nominal output: 100dB(A) @ 1m +/- 3dB - Tone 2\* [91dB(A) @ 10ft/3m]

No. of tones: 49 (UKOOA/PFEER compliant)

No. of stages: 3

Volume control: Max. 100dB(A); Min. 90dB(A) - Tone 2

Effective range: 40m/131ft @ 1KHz

L.E.D. Beacon:

Light source: Array of 6 high intensity L.E.D.'s.

L.E.D. colours: Red, Amber, Blue, Green & Clear

Flash modes: Double flash at 2Hz and 1Hz

Effective intensity cd: 23cd\* - measured ref. to I.E.S.

General:

Voltage: 16-28vdc via Zener barrier or galvanic isolator

Combined current: approx: 30mA typical when powered from 24v supply via 28v 3000hm Zener barrier.

Ingress protection: IP65

Rating: Continuous

Housing material: UL94V0 & 5VA FR ABS & PC

Housing colour: RAL3000 Red

Fixings: Stainless Steel

Cable entries: 2 x M20 clearance gland knockouts.  
Custom configurations also available.

Terminals: 0.5 to 2.5mm<sup>2</sup>

Operating temp: -40° to +60°C [-40° to +140°F]

Storage temp: -40° to +70°C [-40° to +158°F]

Relative humidity: 90% at 20°C [68°F]

## Part Codes

IS-mC1-R/[x]

ATEX / IECEx / FM

II 1G Ex ia IIC T4 Ga (-40°C ≤Ta≤ +60°C)

IS Class I, Division 1, Groups A, B, C, D T4

IS Class I, Zone 0, AEx ia IIC T4 Ta = +60°C

GOST-R

0ExialICT4 IP65 -40° to +60°C

[x]: Lens colour:

A: Amber B: Blue

G: Green R: Red

C: Clear (white LED)

Combined or Sounder only:

May be powered from any certified Zener barrier or galvanic isolator whose output parameters do not exceed :

Uo: 28vdc

Io: 93mA

Po: 660mW

Beacon only:

May be powered from any certified Zener barrier or galvanic isolator whose output parameters do not exceed :

Uo: 28vdc

Io: 660mA

Po: 1.2W

## Vimpex Limited

Star Lane, Great Wakering  
Essex SS3 0PJ England  
Tel: +44 (0) 1702 216999  
Fax: +44 (0) 1702 216699  
E-mail: sales@vimpex.co.uk  
[www.vimpex.co.uk](http://www.vimpex.co.uk)

### Tone table

S 1	Description	S 2	S 3	S 1	Description	S 2	S 3
T 1	340 Hz Continuous	T 2	T 5	T 33	745Hz @ 1Hz Intermittent	T 2	T 5
T 2	800/1000Hz @ 0.25 sec Alternating	T 17	T 5	T 34	1000 & 2000Hz @ 0.5 sec Alternating - Singapore	T 38	T 45
T 3	500/1200Hz @ 0.3Hz 0.5 sec Slow Whoop	T 2	T 5	T 35	420Hz @ 0.625 sec Australian Alert	T 36	T 5
T 4	800/1000Hz @ 1Hz Sweeping	T 6	T 5	T 36	500-1200Hz 3.75sec /0.25sec. Australian Evac.	T 35	T 5
T 5	2400Hz Continuous	T 3	T 20	T 37	1000Hz Continuous - PFEER Toxic Gas	T 9	T 45
T 6	2400/2900Hz @ 7Hz Sweeping	T 7	T 5	T 38	2000Hz Continuous	T 34	T 45
T 7	2400/2900Hz @ 1Hz Sweeping	T 10	T 5	T 39	800Hz 0.25sec on, 1 sec off Intermittent	T 23	T 17
T 8	500/1200/500Hz @ 0.3Hz Sweeping	T 2	T 5	T 40	544Hz (100mS)/440Hz (400mS) - NF S 32-001	T 31	T 27
T 9	1200/500Hz @ 1Hz - DIN / PFEER P.T.A.P.	T 15	T 2	T 41	Motor Siren - slow rise to 1200 Hz	T 2	T 5
T 10	2400/2900Hz @ 2Hz Alternating	T 7	T 5	T 42	Motor Siren - slow rise to 800 Hz	T 2	T 5
T 11	1000Hz @ 1Hz Intermittent	T 2	T 5	T 43	1200 Hz Continuous	T 2	T 5
T 12	800/1000Hz @ 0.875Hz Alternating	T 4	T 5	T 44	Motor Siren - slow rise to 2400 Hz	T 2	T 5
T 13	2400Hz @ 1Hz Intermittent	T 15	T 5	T 45	1KHz 1s on, 1s off Intermittent - PFEER Gen. ...	T 38	T 34
T 14	800Hz 0.25sec on, 1 sec off Intermittent	T 4	T 5	T 46	1200/500Hz @ 1Hz - DIN / PFEER P.T.A.P.	T 47	T 37
T 15	800Hz Continuous	T 2	T 5	T 47	1KHz 1s on, 1s off Intermittent - PFEER Gen. ...	T 46	T 37
T 16	660Hz 150mS on, 150mS off Intermittent	T 18	T 5	T 48	420Hz @ 0.625 sec Australian Alert	T 49	T 5
T 17	544Hz (100mS)/440Hz (400mS) - NF S 32-001	T 2	T 27	T 49	500-1200Hz 3.75sec /0.25sec. Australian Evac.	T 26	T 37
T 18	660Hz 1.8sec on, 1.8sec off Intermittent	T 2	T 5				
T 19	1.4KHz-1.6KHz 1s, 1.6KHz-1.4KHz 0.5s -NFC48265	T 2	T 5				
T 20	660Hz Continuous	T 2	T 5				
T 21	554Hz/440Hz @ 1Hz Alternating	T 2	T 5				
T 22	544Hz @ 0.875 sec. Intermittent	T 2	T 5				
T 23	800Hz @ 2 Hz Intermittent	T 6	T 5				
T 24	800/1000Hz @ 50Hz Sweeping	T 29	T 5				
T 25	2400/2900Hz @ 50Hz Sweeping	T 29	T 5				
T 26	Bell	T 2	T 15				
T 27	554Hz Continuous	T 26	T 5				
T 28	440Hz Continuous	T 2	T 5				
T 29	800/1000Hz @ 7Hz Sweeping	T 7	T 5				
T 30	300Hz Continuous	T 2	T 5				
T 31	660/1200Hz @ 1Hz Sweeping	T 26	T 5				
T 32	Two T chime.	T 26	T 15				