

# D105 Alarm Sounder

The D105 is a high output, 112dB(A) alarm sounder. Low current consumption and high SPL in a robust IP66 housing ensure the D105 is suitable for all general signalling applications including fire, security and process control. The corrosion proof, marine grade aluminium die cast enclosure is phosphated and powder coated providing resilience in the harshest of industrial environments.

## Features

- High output, up to 112dB(A) SPL
- 3 remotely selectable alarm stages
- Choice of 32 alarm tone frequencies
- Automatic synchronisation on multi-sounder system.
- Continuously rated.
- Stainless steel fixings.
- Duplicate cable terminations (in & out for daisy-chain installations).
- Tropicalisation available on request.
- Available with custom tone configurations and frequencies.
- 'Programmable' version available:
  - 45 alarm tones
  - 4 remotely selectable stages
  - Any tone can be assigned to any stage
  - User configurable continuous frequency tone

## Approvals

- UL & cULs approved: General signalling use.



## Vimpex Limited

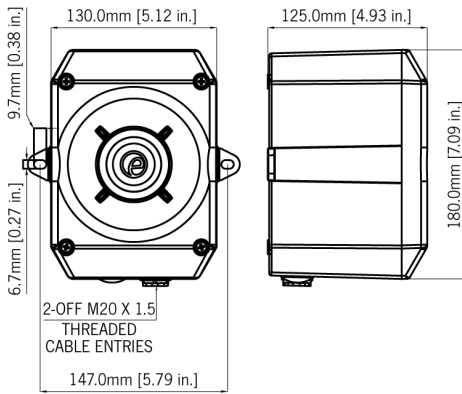
Star Lane, Great Wakering  
Essex SS3 0PJ England

Tel: +44 (0) 1702 216999

Fax: +44 (0) 1702 216699

E-mail: sales@vimpex.co.uk

[www.vimpex.co.uk](http://www.vimpex.co.uk)



### Specification

Maximum output:	112dB(A) @ 1 metre [103dB(A) @ 10ft/3m]
Nominal output:	105dB(A) @ 1m +/- 3dB - Tone 2 [96dB(A) @ 10ft/3m]
No. of tones:	32 (UKOOA / PFEER compliant)
No. of stages:	3
Volume control:	Max. 105dB(A); Min. 96dB(A) - Tone 2
Effective range:	60m/197ft @ 1KHz
Voltages DC:	24V dc (10-30V dc); 48V dc (35-60V dc); [24V dc units can use 24V ac for single stage apps.]
Voltages AC:	24V ac; 115V ac; 230V ac
Stage switching:	Negative Positive switching option available Reverse polarity stage switching on DC units.
Ingress protection:	IP66, Type 4 / 4X / 3R
Housing material:	Marine grade aluminium A1 Si12 Cu
Colour:	Red (RAL3000), grey (RAL7038)
Cable entries:	2 x M20 x 1.5mm threaded gland entries. Supplied with one stopping plug
Terminals:	0.5 to 1.5mm <sup>2</sup> cables.
Operating temp:	-25 to +55°C [-13° to +131°F]
Storage temperature:	-40 to +70°C [-40° to +158°F]
Relative humidity:	90% at 20°C [68°F]
Weight:	DC: 1.6kg/3.52lbs AC: 1.85kg/4.07lbs

### Part Codes

Version:	Part code:
24V dc	D105DC024[x]
48V dc	D105DC048[x]
24V ac	D105AC024[x]
115V ac	D105AC115[x]
230V ac	D105AC230[x]
[x] = Housing colour:	G: Grey R: Red

Suffix part number with 'P' for programmable, 4 stage, 45 tone version (not available with UL approval).

Suffix part number with 'UL' for UL approved version.

### Alarm Sounder

Version:	Voltage:	Current:
24V dc	10-30V dc	25mA*
48V dc	35-60V dc	50mA*
24V ac	50/60Hz +/-10%	40mA
115V ac	50/60Hz +/-10%	20mA
230V ac	50/60Hz +/-10%	15mA

\* current at nominal voltage on Tone 2

## Vimpex Limited

Star Lane, Great Wakering  
 Essex SS3 0PJ England  
 Tel: +44 (0) 1702 216999  
 Fax: +44 (0) 1702 216699  
 E-mail: sales@vimpex.co.uk  
[www.vimpex.co.uk](http://www.vimpex.co.uk)

### Tone table

<b>S 1</b>	<b>Description</b>	<b>S 2</b>	<b>S 3</b>
T 1	340 Hz Continuous	T 2	T 5
T 2	800/1000Hz @ 0.25 sec Alternating	T 17	T 5
T 3	500/1200Hz @ 0.3Hz 0.5 sec Slow Whoop	T 2	T 5
T 4	800/1000Hz @ 1Hz Sweeping	T 6	T 5
T 5	2400Hz Continuous	T 3	T 20
T 6	2400/2900Hz @ 7Hz Sweeping	T 7	T 5
T 7	2400/2900Hz @ 1Hz Sweeping	T 10	T 5
T 8	500/1200/500Hz @ 0.3Hz Sweeping	T 2	T 5
T 9	1200/500Hz @ 1Hz - DIN / PFEER P.T.A.P.	T 15	T 2
T 10	2400/2900Hz @ 2Hz Alternating	T 7	T 5
T 11	1000Hz @ 1Hz Intermittent	T 2	T 5
T 12	800/1000Hz @ 0.875Hz Alternating	T 4	T 5
T 13	2400Hz @ 1Hz Intermittent	T 15	T 5
T 14	800Hz 0.25sec on, 1 sec off Intermittent	T 4	T 5
T 15	800Hz Continuous	T 2	T 5
T 16	660Hz 150mS on, 150mS off Intermittent	T 18	T 5
T 17	544Hz (100mS)/440Hz (400mS) - NF S 32-001	T 2	T 27
T 18	660Hz 1.8sec on, 1.8sec off Intermittent	T 2	T 5
T 19	1.4KHz-1.6KHz 1s, 1.6KHz-1.4KHz 0.5s -NFC48265	T 2	T 5
T 20	660Hz Continuous	T 2	T 5
T 21	554Hz/440Hz @ 1Hz Alternating	T 2	T 5
T 22	544Hz @ 0.875 sec. Intermittent	T 2	T 5
T 23	800Hz @ 2Hz Intermittent	T 6	T 5
T 24	800/1000Hz @ 50Hz Sweeping	T 29	T 5
T 25	2400/2900Hz @ 50Hz Sweeping	T 29	T 5
T 26	Bell	T 2	T 15
T 27	554Hz Continuous	T 26	T 5
T 28	440Hz Continuous	T 2	T 5
T 29	800/1000Hz @ 7Hz Sweeping	T 7	T 5
T 30	300Hz Continuous	T 2	T 5
T 31	660/1200Hz @ 1Hz Sweeping	T 26	T 5
T 32	Two T chime.	T 26	T 15