

HYDROSENSE CONTROL RELAY



hydrosense™

Provides integration between Hydrosense Control Panels and Water/ Flow Control equipment. Rated at 230 V ac and activated via 24 V dc input.

The Hydrosense Control Relay would typically be operated via the on-board panel alarm relay and power derived from either the panel auxiliary supply or a local 24 V PSU.

Provides a volt free interface to operate third party equipment in a water leak condition.

Features a blue LED that will illuminate when the relay has been energized.

FEATURES

- Ideal for new or retrofit projects
- Can switch voltages upto 250 V ac at 8 A
- Versatile backbox featuring 10 fixing points to allow easy mounting. (surface mount variants only)
- Incorporates 4 x round 20 mm knockouts and 1 x rectangular for surface conduit. (surface mount variants only)
- Flush or surface mounted

PART NUMBERS

- HY-VRF: Hydrosense Control Relay, White, Flush Mount
- HY-VRS: Hydrosense Control Relay, White, Surface Mount

SPECIFICATION

Operating Voltage:	24 V dc
Current Consumption:	21 mA at 24 V dc
Weight:	0.06 kg
Operating temperature:	-5°C to +50°C
Material:	Fire rated ABS
Operating humidity:	95% Non-condensing



FLUSH MOUNTED

SURFACE MOUNTED

TECHNICAL DATASHEET

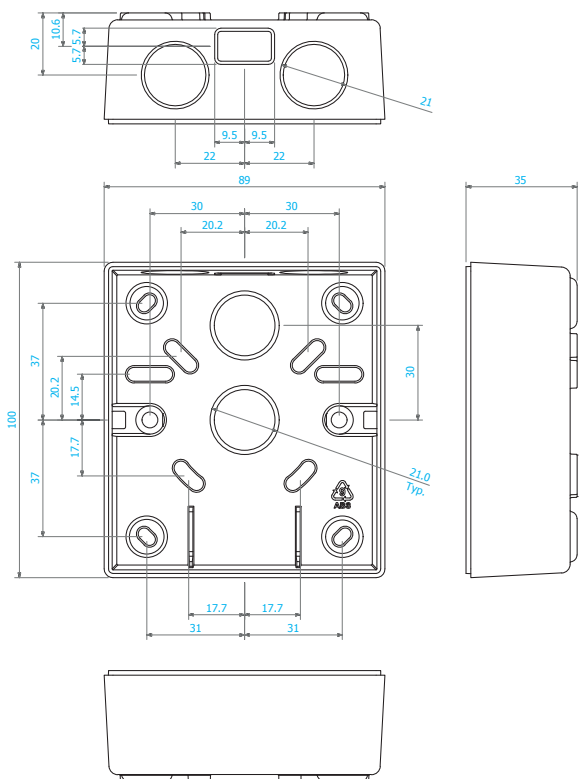
HYDROSENSE CONTROL RELAY



hydrosense™

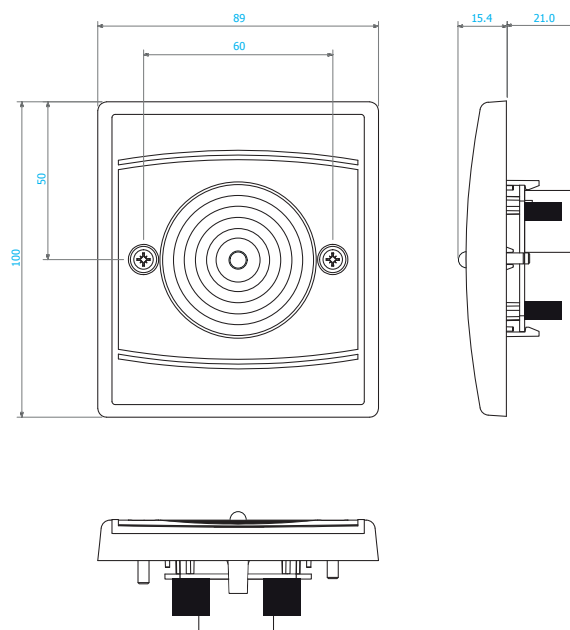
TECHNICAL DRAWING

BACK BOX



CONTROL RELAY UNIT

Dimensions: mm



DS/3700055/ISS 2

We reserve the right to change or amend any design or specification in line with our policy of continuing development and improvement.

Vimpex LTD

Star Lane, Great Wakering,
Essex SS3 0PJ, UK
t. +44 (0) 1702 216999
e. sales@vimpex.co.uk
www.vimpex.co.uk

Vimpex Interguard AB

t. +46 (0) 36 37 10 65
e. sales@vimpex.se



VIMPEX



Quality System Certificate No. 456
Assessed to ISO 9001