



HDUB4P

4 Channel Passive Video Balun

The HDUB4P is a 4 Channel Passive HD (Non-Amplified) Video UTP Transceiver that allows transmission of real time and high performance colour or monochrome CCTV video or AHD / HD-CVI / HD-TVI / HD video over UTP cable which is ideal for multi-point transmission.



HDUB4P

Key Features

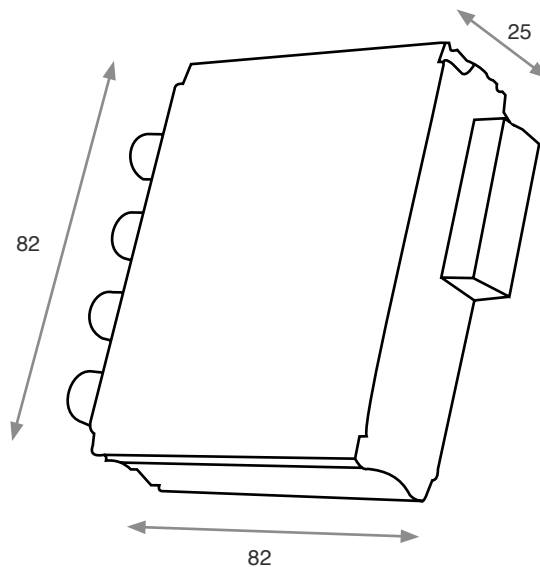
- Passive, No Need for a Power Supply
- AHD, HD-CVI, HD-TVI, CVBS 4 in 1 Compatible Design
- Real-Time Transmission, No Delay
- Surge Protection, ESD and Lighting Protection
- Supports MIT Structure
- Easy Operation

Technical Specification

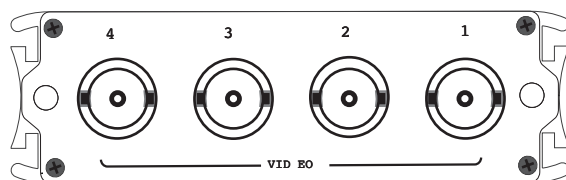
Model Number	HDUB4P
Transmission Channel	4 Channel
Video Connector	4 Channel
Transmission Distance	AHD-L/M (720p): 250m, AHD-L/M (960p): 250m AHD-H (1080p): 250m, Anaglogue Video: 500m HD-CVI (720p): 370m, HD-CVI (1080p): 100m HD-TVI (720p): 200m, HD-TVI (1080p): 200m
Coaxial Video Connector	Female BNC Connector
UTP Cable Video Connector	Female RJ45 Connector, 8 Channel Screw Push Terminal
Compatible Video Format	AHD, HD-CVI, HD-TVI, CVBS
Signal Transmission Width	0-70MHz
Anti-Interference	>60dB
Coaxial Video Connector Surge	2KV (Different Mode) Per: IEC61000-4-5
UTP Cable Communication Connector Surge Protection	2KV (Different Mode) Per: IEC61000-4-5
ESD	1a Contact Discharge Level 3 1b Air Discharge Level 3 Per: IEC6100-4-2
Operation Temperature	0 ~ 55°C
Storage Temperature	-40°C ~ 85°C
Humidity	0~95%
Dimensions (L x H x W)	85 x 82 x 25 mm (Including Connector Length)

Genie CCTV reserves the right to change specifications without notice. Please contact your representative to confirm current specifications.

Dimensions (mm)



Front



Back

