

HD-FK300

Hold up rail

VANDERBILT



Key Features include:

- Discrete design
- Floor or under counter mounting
- Alarm indication
- Latching with simple reset
- Silent operation
- Tamper protection
- Design consideration for ease of installation

HD-FK300

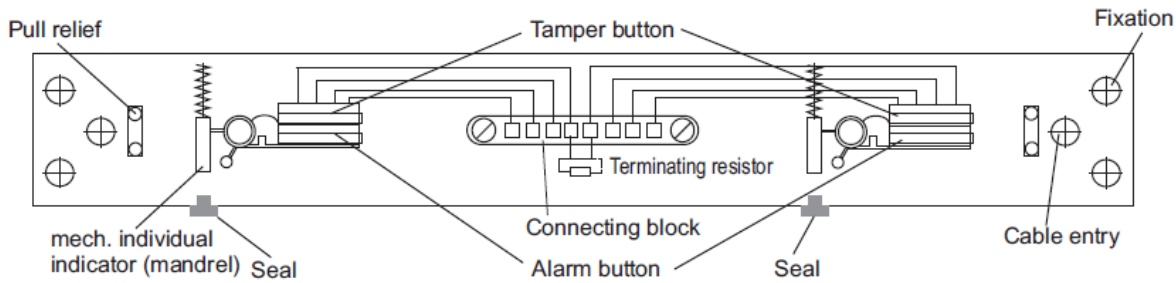
Hold up rail

VANDERBILT

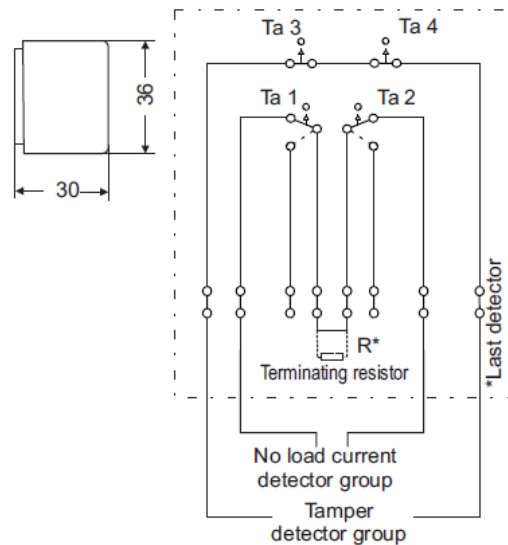
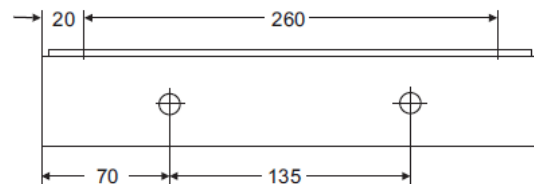
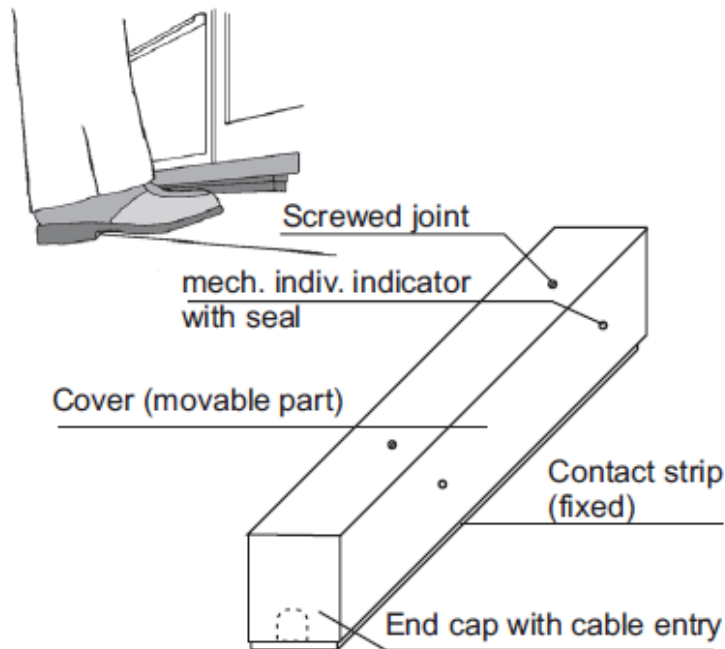
Description

The FD-HK300 hold up bar provides discreet and silent hold up protection for under counter protection. When the rail is activated, two red, plastic indicators become more visible, which is the confirmation that a rail has been triggered. The plastic indicators can be manually reset by forcing back to the normal, rest position with a screw driver. The rail can be screwed directly to the floor or on the underside of a counter. The black base part of the rail is fixed and the top, aluminium section is moveable.

For VdS compliant operation the mechanical indicators must be closed with an indicator seal, which must be removed to reset.



Application example



VANDERBILT

HD-FK300

Hold up rail

VANDERBILT

■ Technical Specifications	
Alarm contact	2 x N/C changeover
Maximum switching voltage	42V DC
Maximum switching current	100mA
Tamper contact	Cover removal, 2 x N/C
Terminating resistor	12K Ω
Cable connections	Soldered terminals
Housing	
- Moveable cover	Anodised aluminium
- Base plate	Black
Approval	VdS

■ Ordering information

Type	Art.-No.	Description	Weight
HD-FK300	N54559-F101-A100	Foot rail 300mm	0.30Kg