

GEZE chain drive Slimchain

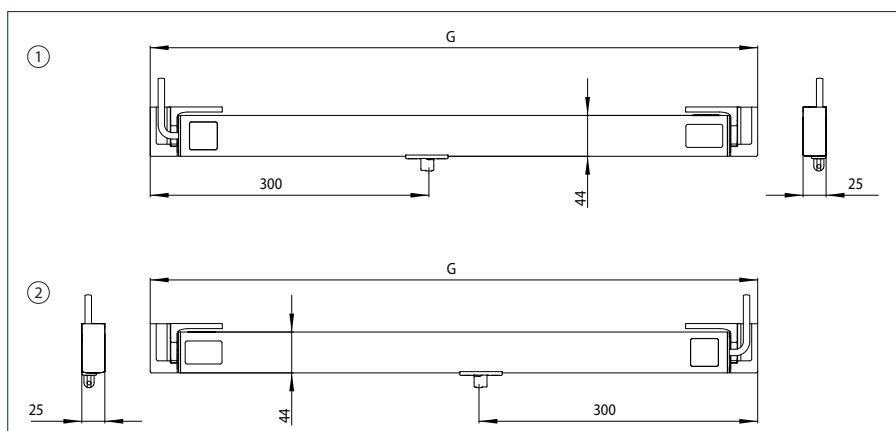
Universal chain drive with attractive design

The GEZE Slimchain is for universal use, since it offers a wide range of parameter setting possibilities e.g. stroke and speed. This chain drive can be integrated perfectly into the façade design thanks to its slim and discreet look. The drive stroke (stroke variants 300, 500, 800 mm) can be variably adjusted. Individual speeds can be set for ventilation and RWA mode. The integrated Syncro module allows up to 3 drives to be used even on large and heavy windows without an external control unit being necessary. The drive is equipped with a DIP switch for changing between the modes of operation (Solo/Syncro, Master/Slave). Installation can be carried out quickly and easily using the GEZE Smart fix installation system.

GEZE Slimchain



GEZE Slimchain



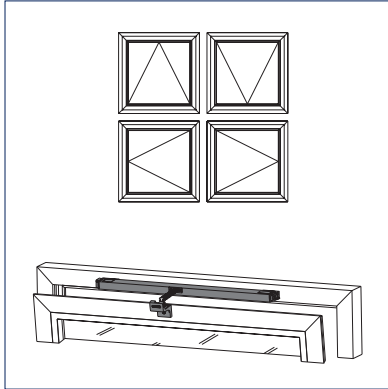
- G = Length
 1 = GEZE Slimchain L
 2 = GEZE Slimchain R

Application range

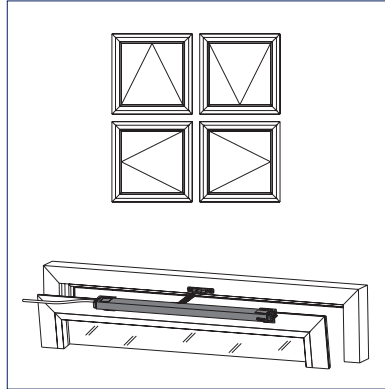
- Flexible application in the façade area with maximum design requirements
- Bottom-hung, side-hung and top-hung casements
- Inward-opening and outward-opening casements
- Natural ventilation, smoke and heat extraction system (RWA), smoke and heat exhaust ventilator (SHEV)
- Can be used in the exhaust air and fresh air system
- Synchronisation of up to 3 drives
- Can be used on timber, plastic and aluminium profile systems
- Casement, frame or integrated installation
- A system solution in combination with the locking drive Power lock

Application range

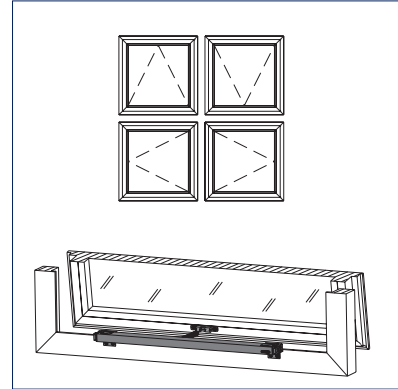
INWARD-OPENING frame installation



INWARD-OPENING casement installation



OUTWARD-OPENING frame installation

**Technical data**

Product features	GEZE Slimchain
Length	Stroke 300: 560 mm, stroke 500: 660 mm, stroke 800: 810 mm (each with consoles)
Height	25 mm
Depth	44 mm
Space required on frame (min.)	Frame installation INWARD-OPENING: 30 mm, casement installation INWARD-OPENING: 16 mm, frame installation OUTWARD-OPENING: 31 mm
Possible stroke heights	300 mm, 500 mm, 800 mm
Opening speed RWA	15 mm/s
Opening speed ventilation	5 mm/s
Closing speed	5 mm/s
Tensile force (max.)	300 N
Force of pressure (max.)	200 N (depending on stroke), see force-path diagram
Holding force (max.)	2000 N
Casement weight (max.)	150 kg*
Operating voltage	24 V ± 25 %
Current consumption	Ventilation (24 V): 0.9 A; RWA (18 V): 1.1 A
Power consumption (max.)	20 W
Duty rating	30 %
Length of power supply cable	2 m
Special length of power supply cable	5 m, 7,5 m
Cable dimensions	4 x 0.75 mm ²
Temperature range	-5 – 70 °C
Enclosure rating / protection class	IP 40 / III
Stroke length settable	•
Syncro function	•
Opening speed settable (ventilation)	•
Additional locking available	•
Type of additional locking	Locking drive
Type of stroke shortening	Synchronising unit, Factory setting
End position cut-off extended	electronic, via internal path sensor
End position cut-off retracted	electric, electronic via current consumption
Overload cut-off	•
Complete opening within 60 s	yes, including locking drive
SHEV tested	•
Synchronisation (max.)	3 drives

• = YES

*) Note on casement weight (max.):

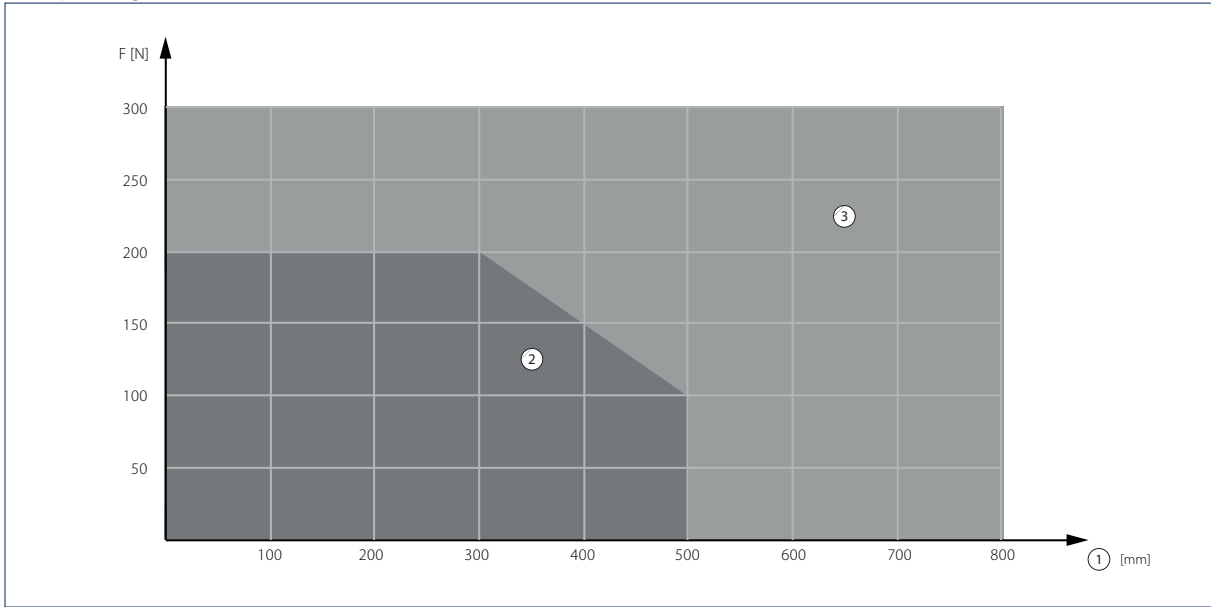
The overall weight is limited by the hinges and depends on the details provided by the profile system manufacturer.

GEZE CHAIN DRIVES

Window technology

Electrical RWA and ventilation systems

Force-path diagram

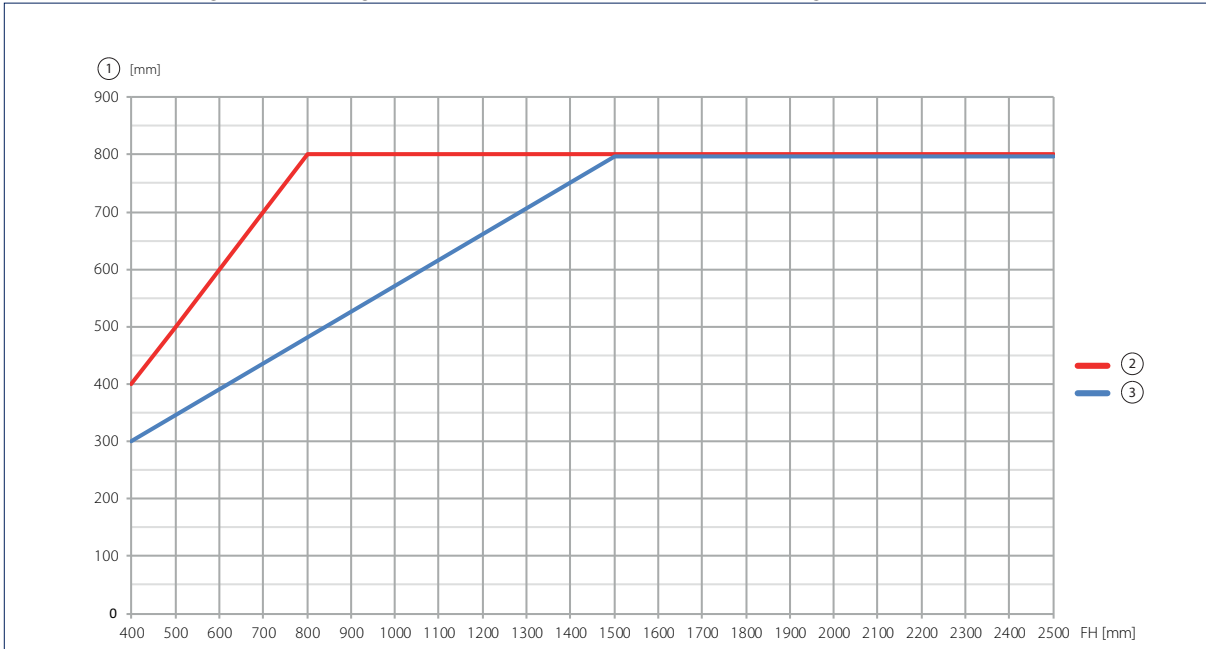


- F = Force
- 1 = Stroke
- 2 = Pressure
- 3 = Pull



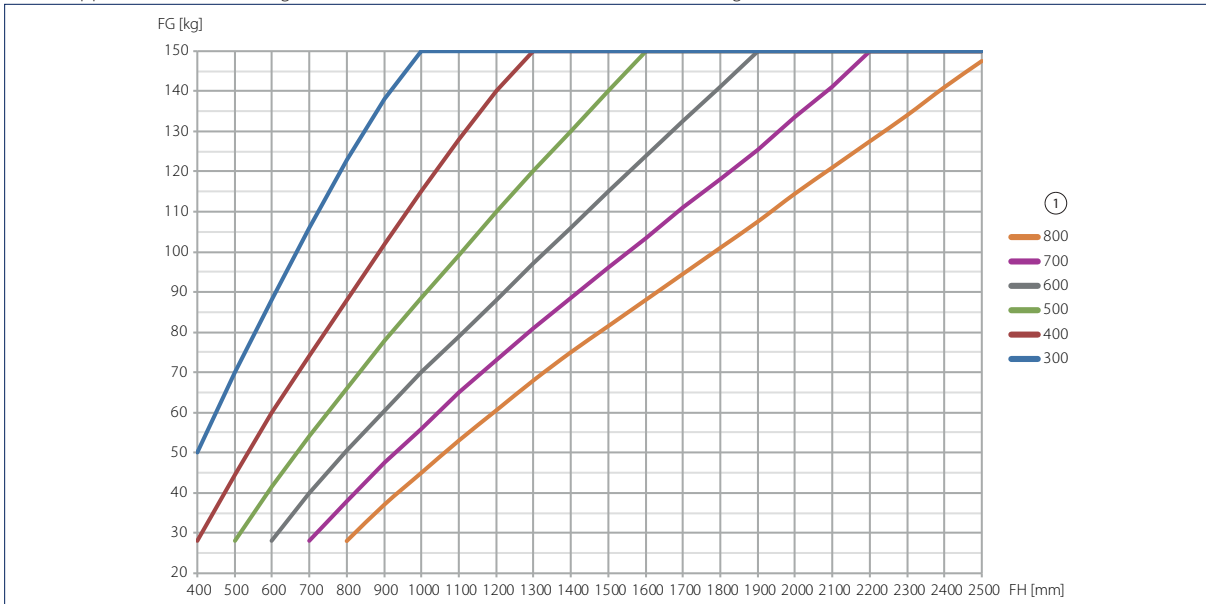
GEZE Slimchain, GEZE Power lock and safety scissors

Minimum casement heights bottom-hung window frame installation INWARD (drive swivelling)



- FH = Casement height
- 1 = Stroke
- 2 = Alarm
- 3 = Ventilation

Area of application bottom-hung window frame installation INWARD (drive swivelling)

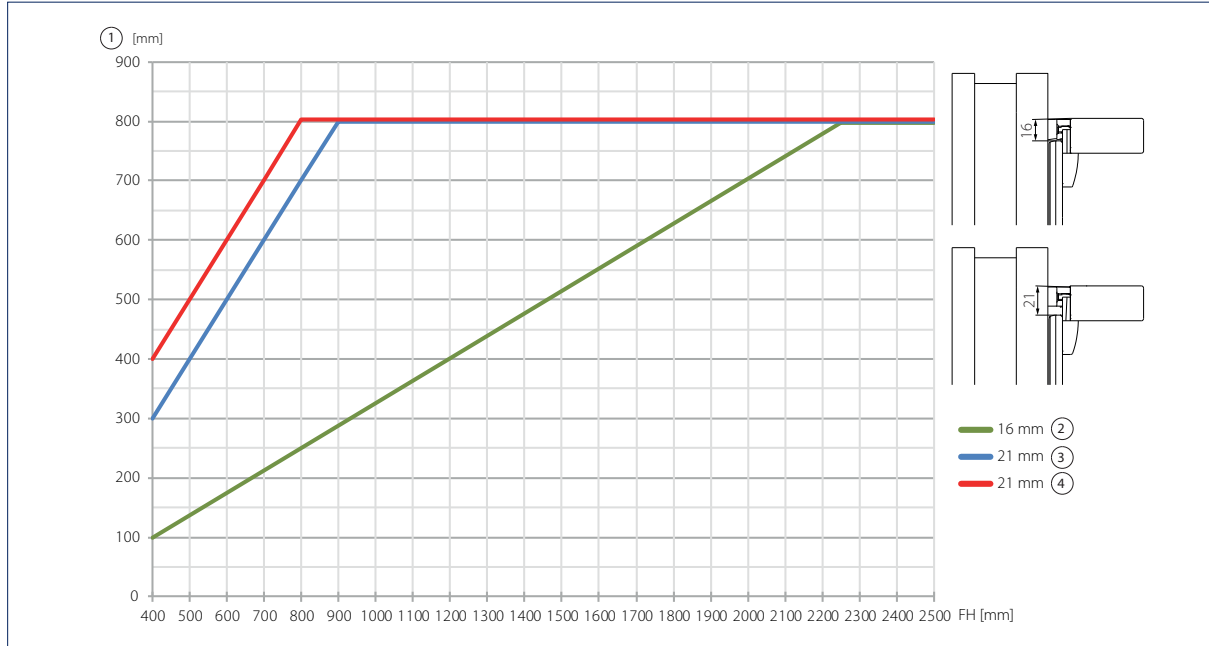


Area of application applies for one Solo drive, for Syncro 2 or Syncro 3 the casement weight can be doubled or tripled. The details provided by the profile system manufacturer must be heeded.

- FG = Casement weight
- FH = Casement height
- 1 = Stroke

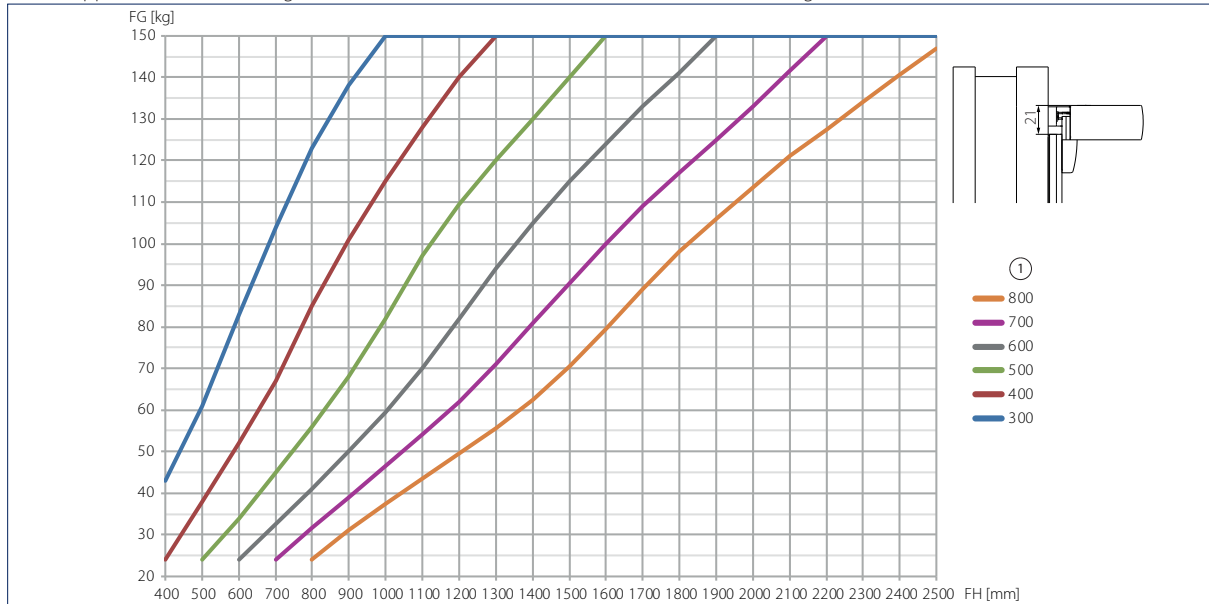
GEZE CHAIN DRIVES

Minimum casement heights bottom-hung window casement installation INWARD (drive not swivelling)



- FH = Casement height
- 1 = Stroke
- 2 = Ventilation corresponds to alarm
- 3 = Ventilation
- 4 = Alarm

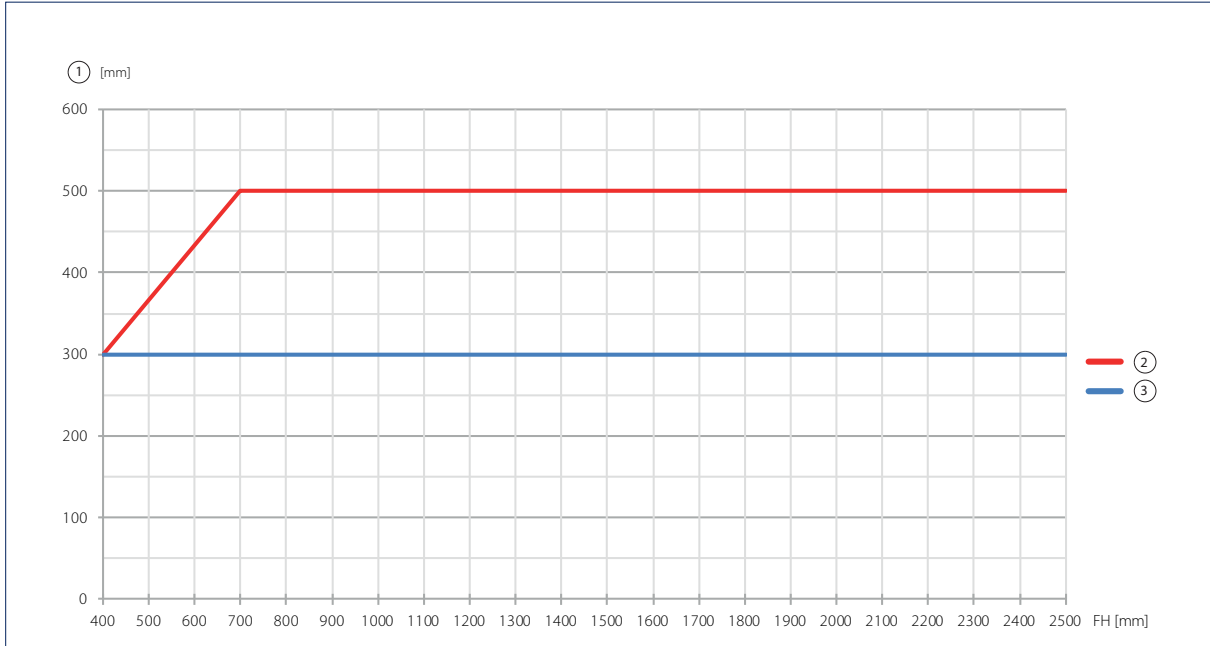
Area of application bottom-hung window casement installation INWARD (drive not swivelling, frame size 21 mm)



Area of application applies for one Solo drive, for Syncro 2 or Syncro 3 the casement weight can be doubled or tripled. The details provided by the profile system manufacturer must be heeded.

- FG = Casement weight
- FH = Casement height
- 1 = Stroke

Minimum casement heights top-hung window frame installation OUTWARD (drive swivelling)



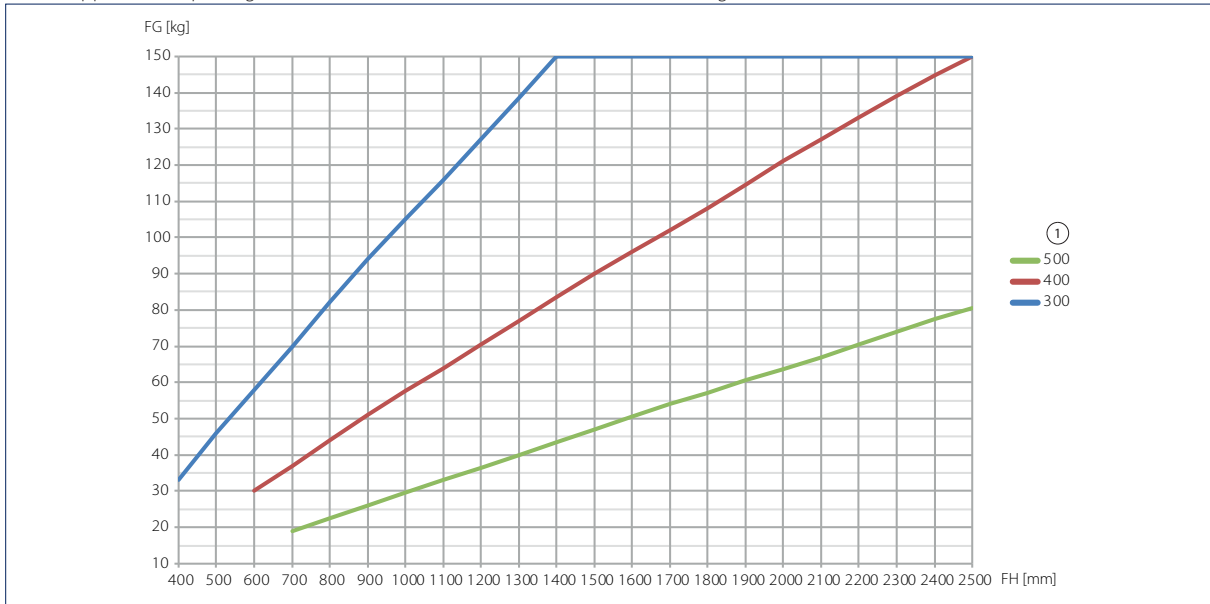
FH = Casement height

1 = Stroke

2 = Alarm

3 = Ventilation

Area of application top-hung window frame installation OUTWARD (drive swivelling)



Area of application applies for one Solo drive, for Syncro 2 or Syncro 3 the casement weight can be doubled or tripled. The details provided by the profile system manufacturer must be heeded.

FG = Casement weight

FH = Casement height

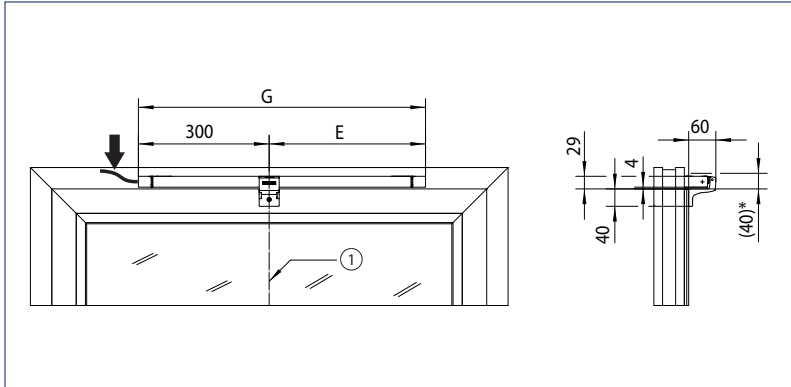
1 = Stroke

Space requirement for Slimchain

Stroke	E [mm]	G [mm]
300	260	560
500	360	660
800	510	810

Note: Illustrations with cable side left, cable side right is reversed

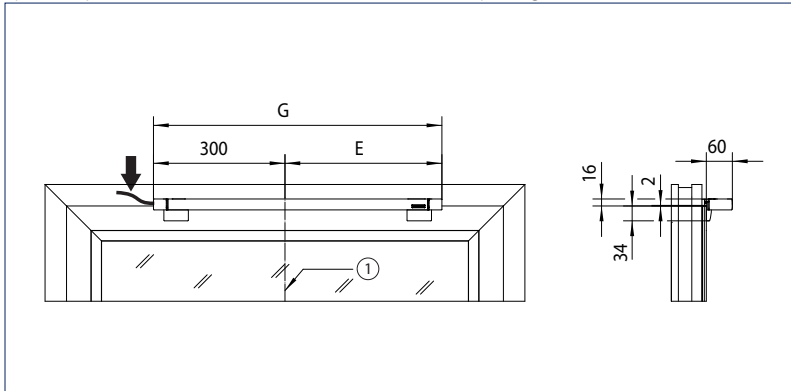
Space requirement for frame installation INWARD opening



See table for dimensions for E and G

- 1 = Centre of window
- * = Swivelling range

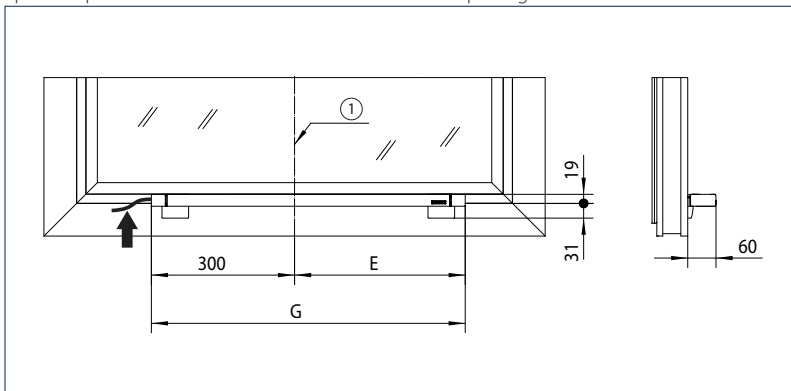
Space requirement for casement installation INWARD opening



See table for dimensions for E and G

- 1 = Centre of window

Space requirement for frame installation OUTWARD opening



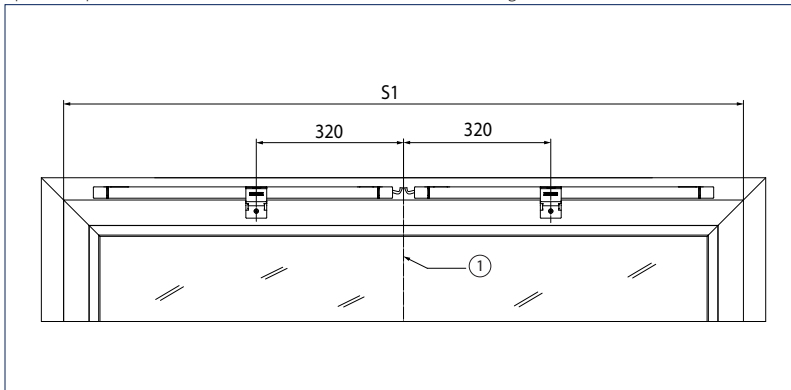
See table for dimensions for E and G

- 1 = Centre of window

Space requirement for Slimchain - Syncro 2

Note: The illustrations apply for all installation possibilities.

Space requirement for installation with a left-hand and a right-hand drive



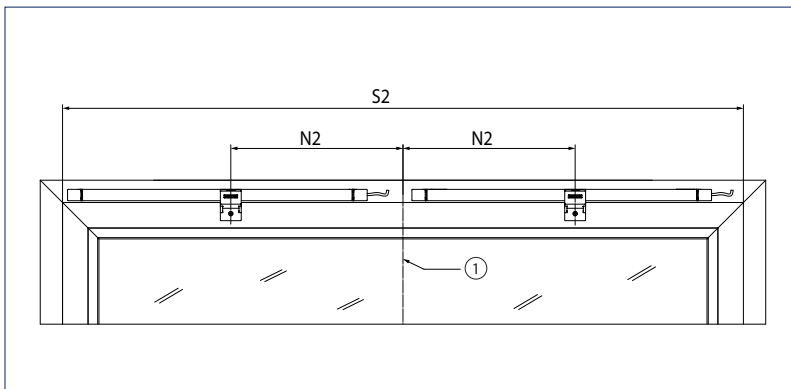
Note: not suitable for side-hung windows

See table for dimensions for S1

1 = Centre of window

Stroke	S1 [mm]	ID no. EV1/white RAL 9016	Quantity
300	1160	147030/147031 R	1
		147035/147036 L	1
500	1360	147040/147041 R	1
		147045/147046 L	1
800	1660	147050/147051 R	1
		147055/147056 L	1

Space requirement for installation with two right-hand drives
(mirrored for tow left-hand drives)



Note: suitable for side-hung windows

See table for dimensions for S2 and N2

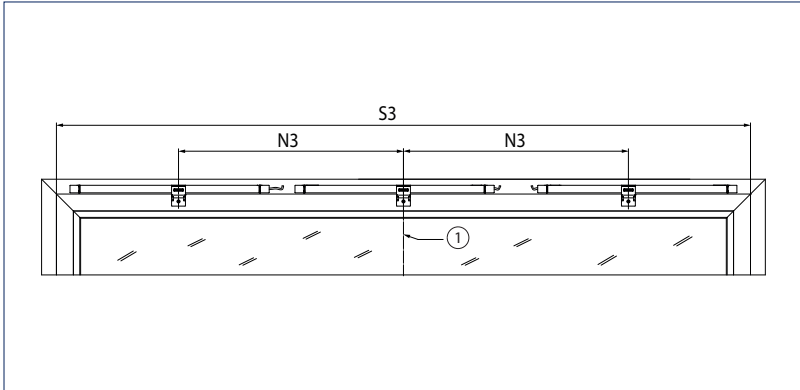
1 = Centre of window

Stroke	N2 [mm]	S2 [mm]	Bracket set A		Bracket set B	
			ID no. EV1/ white RAL 9016	Quantity	ID no. EV1/ white RAL 9016	Quantity
300	300	1200	147030/147031 R	2	147030/147031 R	-
			147035/147036 L	-	147035/147036 L	2
500	350	1420	147040/147041 R	2	147040/147041 R	-
			147045/147046 L	-	147045/147046 L	2
800	425	1870	147050/147051 R	2	147050/147051 R	-
			147055/147056 L	-	147055/147056 L	2

GEZE CHAIN DRIVES

Space requirement for Slimchain - Syncro 3

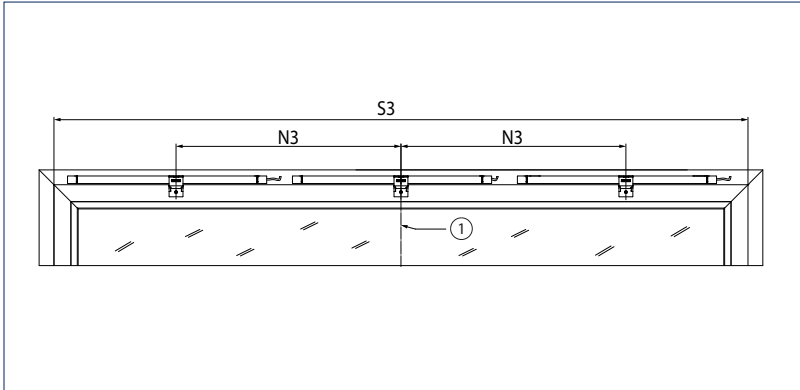
Space requirement for installation with a left-hand and two right-hand drives



Note: not suitable for side-hung windows
See table for dimensions for S3 and N3
1 = Centre of window

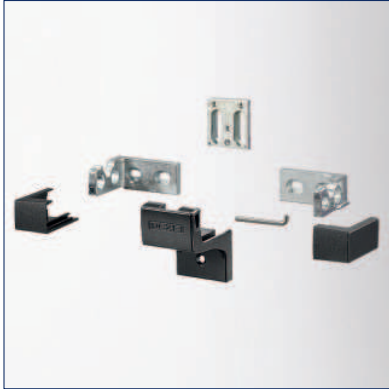
Stroke	N3 [mm]	S3 [mm]	Bracket set A		Bracket set B	
			ID no. EV1/ white RAL 9016	Quantity	ID no. EV1/ white RAL 9016	Quantity
300	640	1800	147030/147031 L, R	2	147030/147031 L, R	1
			147035/147036 L, R	1	147035/147036 L, R	2
500	700	2120	147040/147041 L, R	2	147040/147041 L, R	1
			147045/147046 L, R	1	147045/147046 L, R	2
800	850	2720	147050/147051 L, R	2	147050/147051 L, R	1
			147055/147056 L, R	1	147055/147056 L, R	2

Space requirement for installation with three right-hand drives



Note: suitable for side-hung windows
See table for dimensions for S3 and N3
1 = Centre of window

Stroke	N3 [mm]	S3 [mm]	Bracket set A		Bracket set B	
			ID no. EV1/ white RAL 9016	Quantity	ID no. EV1/ white RAL 9016	Quantity
300	600	1800	147030/147031 L, R	3	147030/147031 L, R	-
			147035/147036 L, R	-	147035/147036 L, R	3
500	700	2120	147040/147041 L, R	3	147040/147041 L, R	-
			147045/147046 L, R	-	147045/147046	3
800	850	2720	147050/147051 L, R	3	147050/147051 L, R	-
			147055/147056 L, R	-	147055/147056 L, R	3



Bracket set A
For bottom-hung, side-hung and top-hung windows, frame installation INWARD



Bracket set B
For bottom-hung, side-hung and top-hung windows, casement installation INWARD and frame installation OUTWARD

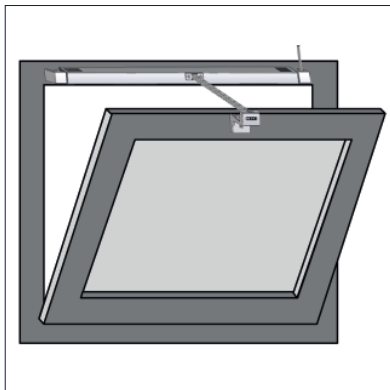
GEZE Slimchain - Order information

Description	Stroke	Version	ID.No.
GEZE Slimchain L	300 mm	EV1	147035
	500 mm	EV1	147045
	800 mm	EV1	147055
	300 mm	white RAL 9016	147036
	500 mm	white RAL 9016	147046
	800 mm	white RAL 9016	147056
GEZE Slimchain R	300 mm	EV1	147030
	500 mm	EV1	147040
	800 mm	EV1	147050
	300 mm	white RAL 9016	147031
	500 mm	white RAL 9016	147041
	800 mm	white RAL 9016	147051
GEZE Slimchain - special version Can be configured: stroke, cable length, colour, L/R alignment			147070
Accessories			
Bracket set A Slimchain		white RAL 9016	147061
		black	147060
Bracket set B Slimchain		white RAL 9016	147063
		black	147062
Choice of consoles for Slimchain Can be configured: type of opening, colour		acc. to RAL	147071

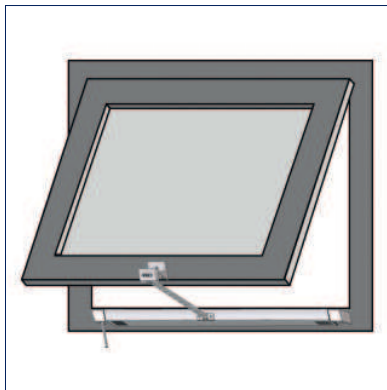
GEZE Slimchain ordering aid

Casement INWARD opening frame installation

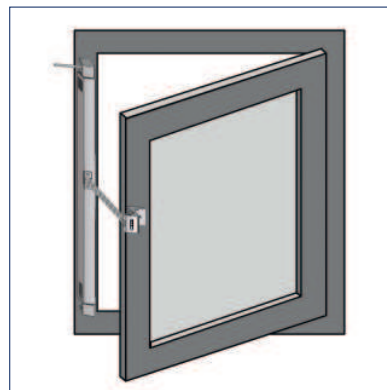
Bottom-hung casement INWARD-OPENING



Top-hung casement INWARD-OPENING



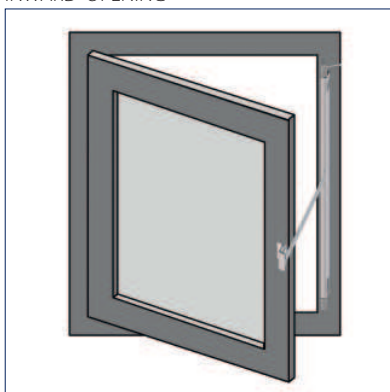
Side-hung casement DIN R INWARD-OPENING



Stroke	Version	Drive	Accessories
300	EV1	147030	147060
300	White RAL 9016	147031	147061
500	EV1	147040	147060
500	White RAL 9016	147041	147061
800	EV1	147050	147060
800	White RAL 9016	147051	147061

Casement INWARD opening frame installation

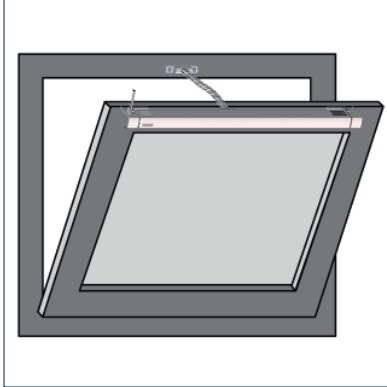
Side-hung casement DIN L INWARD-OPENING



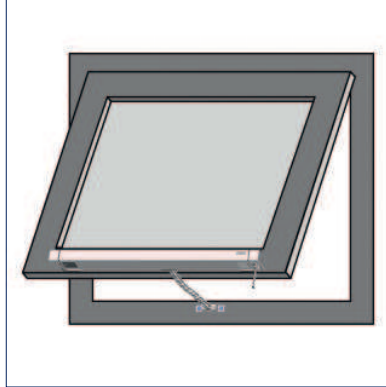
Stroke	Version	Drive	Accessories
300	EV1	147035	147060
300	White RAL 9016	147036	147061
500	EV1	147045	147060
500	White RAL 9016	147046	147061
800	EV1	147055	147060
800	White RAL 9016	147056	147061

Casement INWARD opening casement installation

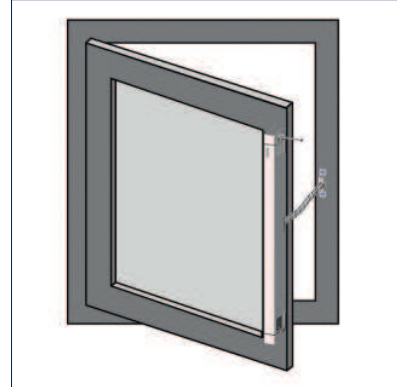
Bottom-hung casement INWARD-OPENING



Top-hung casement INWARD-OPENING



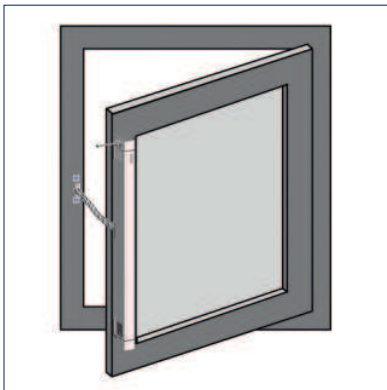
Side-hung casement DIN L INWARD-OPENING



Stroke	Version	Drive	Accessories
300	EV1	147030	147062
300	White RAL 9016	147031	147063
500	EV1	147040	147062
500	White RAL 9016	147041	147063
800	EV1	147050	147062
800	White RAL 9016	147051	147063

Casement INWARD opening casement installation

Side-hung casement DIN R INWARD-OPENING

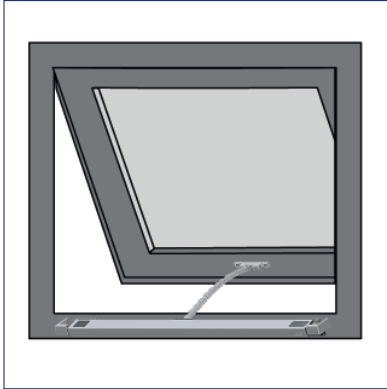


Stroke	Version	Drive	Accessories
300	EV1	147035	147062
300	White RAL 9016	147036	147063
500	EV1	147045	147062
500	White RAL 9016	147046	147063
800	EV1	147055	147062
800	White RAL 9016	147056	147063

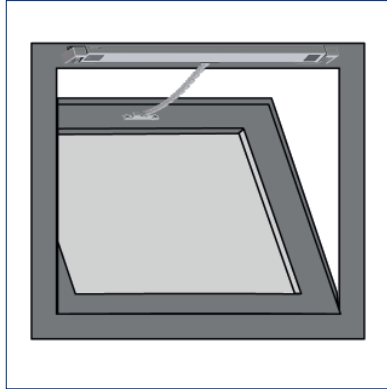
GEZE CHAIN DRIVES

Casement OUTWARD opening frame installation

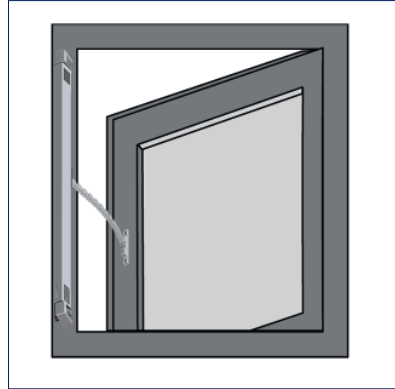
Top-hung casement OUTWARD-OPENING



Bottom-hung casement OUTWARD-OPENING



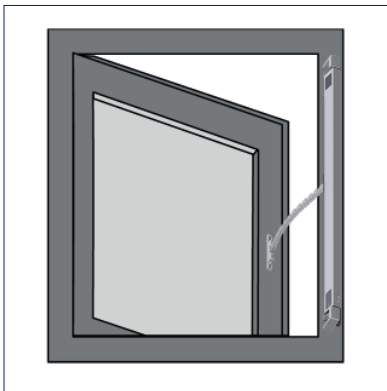
Side-hung casement DIN R OUTWARD-OPENING



Stroke	Version	Drive	Accessories
300	EV1	147030	147062
300	White RAL 9016	147031	147063
500	EV1	147040	147062
500	White RAL 9016	147041	147063
800	EV1	147050	147062
800	White RAL 9016	147051	147063

Casement OUTWARD opening frame installation

Side-hung casement DIN L OUTWARD-OPENING



Stroke	Version	Drive	Accessories
300	EV1	147035	147062
300	White RAL 9016	147036	147063
500	EV1	147045	147062
500	White RAL 9016	147046	147063
800	EV1	147055	147062
800	White RAL 9016	147056	147063