



GEBV Series

2MP 1080p Multi Technology (AHD, TVI, CVI, CVBS) Eyeball Camera

The GEBV Series is a 2MP 1080p Multi Technology (AHD, TVI, CVI and CVBS) Eyeball Camera equipped with a 2.8-12mm varifocal lens. The Camera can transmit up to 300m in distance when using the AHD Mode. **Available in White or Grey**

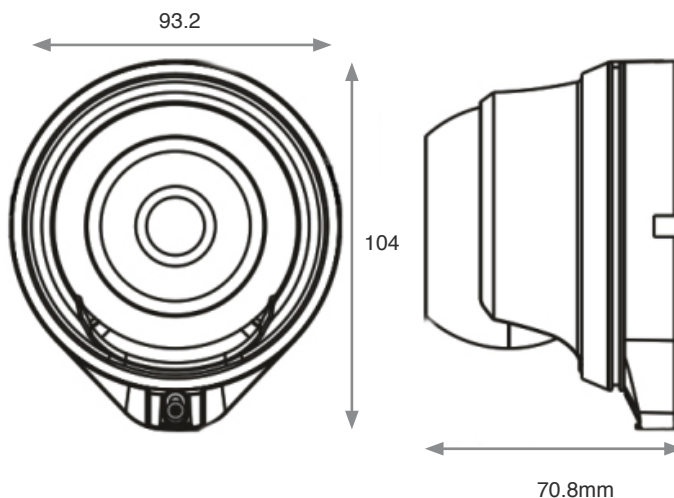


GEBV Range

Key Features

- 2MP 1080p Real Time Image
 - 2.8-12mm Lens
 - Multi Technology (AHD, TVI, CVI and CVBS)
 - Auto White Balance and Electronic Shutter
 - 2DNR and DWDR
 - OSD available from Genie AHD DVR using control over coax
 - IP66 Ingress Protection
- Output
- Up to 300m Transmission Distance
 - Low Illumination

Dimensions (mm)





Technical Specification

Model Number	GEBV Series (White or Black)
Image Sensor	1/2.7" 2MP CMOS Sensor
Resolution	1920(H) x 1080(V)
Image System	NTSC/PAL
Minimum Illumination	Color: 0.1Lux@ (F1.2AGC ON) B&W: 0.01Lux@ (F1.2AGC ON)
Lens	2.8-12mm
IR LED	3pcs IR Array
IR Range	Up to 40m
Video Output (Switchable)	CVI,TVI ,AHD and CVBS
Video Output Interface	BNC x 1
Frame Rate	30fps @ 1080p
Day & Night	Yes (ICR)
S/N Ratio	>41dB (AGC OFF)
Shutter Speed	Auto/ Manual
AGC	Auto
White Balance	Auto/ Manual
Power Supply	DC12V (± 10 %)
Power Consumption	<4W (IR ON)
Operation Conditions	Temperature: - 20 °C ~ 50 °C, Humidity 90 % or less (non-condensing)
Dimensions	70.8 x 104 mm
Ingress Protection	IP66
Weight	554g

Genie CCTV reserves the right to change specifications without notice. Please contact your representative to confirm current specifications.

Accessories

- **GEBVJB**- Junction Box for GEBV (Includes M20 UK Conduit Adapter)- Not Weatherproof
- **GEBVJBG (GREY)** - Junction Box for GEBVG (Includes M20 UK Conduit Adapter)-Not Weatherproof



GEBVJB



GEBVJBG



Dimensions (mm)

