



# GAHD18IRPTZ

## AHD Mini IR High Speed Dome Camera

The GAHD18IRPTZ is a Mini IR High Speed Dome Camera suitable for a wide range of environments. It has 18x Optical Zoom, can reach up to 500m Video Transmission distance as well as up to 60m IR Distance in ideal conditions.

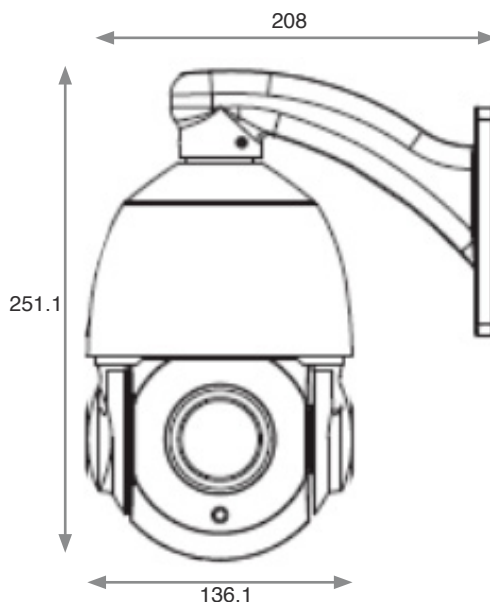


GAHD18IRPTZ

### Key Features

- AHD 1080P 1/3" CMOS
- 18x Optical Zoom
- 6 Piece Infrared Lights
- 60m IR Distance (In Ideal Conditions)
- 360° Endless Pan Range and 0-90° Tilt Range
- Video Transmission Distance up to 500m
- Up the coax PTZ control
- Supports 220 Presets, 8 Patrols, 4 Patterns
- Supports Auto-Flip
- Video Transmission Distance up to 500m
- DC12V
- IP66
- Wall Bracket Included

### Dimensions (mm)





# Technical Specification

Model Number	GAHD18IRPTZ
Sensor	1/3" Sony IMX 322 CMOS
Resolution	1920 x 1080
Illumination	0.1 Lux / F1.4 (Colour), 0.01 Lux / F1.4 (B&W), 0 Lux with IR
Image	Flip / Mirror
Exposure Mode	Auto
S/N	>50dB (AGC Off)
3D DNR	Yes
3D WDR	Yes (From Zoom Module Menu)
BLC	On / Off
Electronic Shutter	1/1~1/30,000s
Scan System	Progressive Scanning (Internal Synchronisation)
Day/Night Mode	Support IR Cut Colour to B&W
Focus Mode	Auto / Manual
Gain Control	Auto / Manual
Lens	Built-In
Optical Zoom	18x
Focus Range	4.7mm ~ 84.6mm (Close to Focal)
Iris Range	F1.6 (W) ~ 2.7 (T)
Pan Angle	54.8° ~ 3.4° (Wide - Tele)
IR Distance	60m (In Ideal Conditions)
IR Angle	3 Angle Adjustable with Zoom In / Out
Pan Speed	0.6° ~ 200°/s
Tilt Speed	3.5° ~ 35°/s
Tilt Range	0° ~ 90°, Auto Flip 180°
Manual Speed	High, Middle, Low for Adjustable
Telemetry	Up the Coax
Preset	220
Patrol	8, Each Patrol can add 32 Presets
Pattern	4, Total Record Time more than 10 Minutes
A.B Preset Scan	Support
BNC Output	AHD (1Vp-p, 75Ω), PAL/NTSC, BNC
Park Function	Support, Select Preset, Patrol and Pattern, A.B Scan, Pan Auto Running
Power Supply	DC12V / 2A
Power Consumption	Max. 10W Day Time, Max. 30W Night Time (Not Including Heat)
Working Conditions	Temperature: -20°C ~ 60°C, Humidity: ≤90%RH (Frostless)
IP Rating	IP66
Dimensions (H x W x D)	251.1 x 208 x 136.1mm
Weight	3.5Kg

Genie CCTV reserves the right to change specifications without notice. Please contact your representative to confirm current specifications.

## Accessories

- **PSU35SM** - In-Line DC12V, 3.5A Output, Regulated Switch Mode PSU, with Fixing Mount