

FIRE-CRYER® SOLO (STANDARD VERSION)
EN 54-3 APPROVED VOICE SOUNDERS

Voice Enhanced Sounder with a fixed pre-recorded message. Fire-Cryer Solo is synchronised and has an exceptionally low current consumption. The units can be used as a replacement for electronic sounders or bells to broadcast a clear message: “Fire emergency. Please remain calm and evacuate the building immediately”.



APPROVALS

Approved to EN 54-3



FEATURES

- Sound output - 100 dB(A)
- Optional integral strobe - red lens with red LED
- Low current - average 20 mA
- No special wiring, easily retro-fitted
- Deep base version available to IP66
- Fully synchronised
- Uses rocking armature technology for highly intelligible speech

SPECIFICATION

Operating Voltage	20-28 V dc
Current @ 24 V dc, Peak/Avg - Sounder only	27/20 mA
Current @ 24 V dc, Typical - Sounder with low current strobe	33/26 mA
Current @ 24 V dc, Typical - Sounder with high current strobe	52/60 mA
Current @ 24 V dc - Low current strobe only	13 mA
Current @ 24 V dc - High current strobe only	32 mA
Strobe Output (Low)	2 Cd
Strobe Output (High)	6 Cd
Effective Sound Output (Typical) Alert Fast Sweep tone to BS5839 Voice	100 dB (A)* 95 dB (A)**
Volume Adjustment from minimum output to maximum output - 18 dB(A)	82 to 100 dB(A)
Weatherproofing (IP66 requires Deep Base)	IP45 or IP66
Housing Material	ABS
Temperature Range	-25°C to +70°C
Colour	Red or White
Connections	Screw TB 1.5mm ²

*Tone output may vary depending on chosen sound

**Voice output may vary due to the nature of human speech

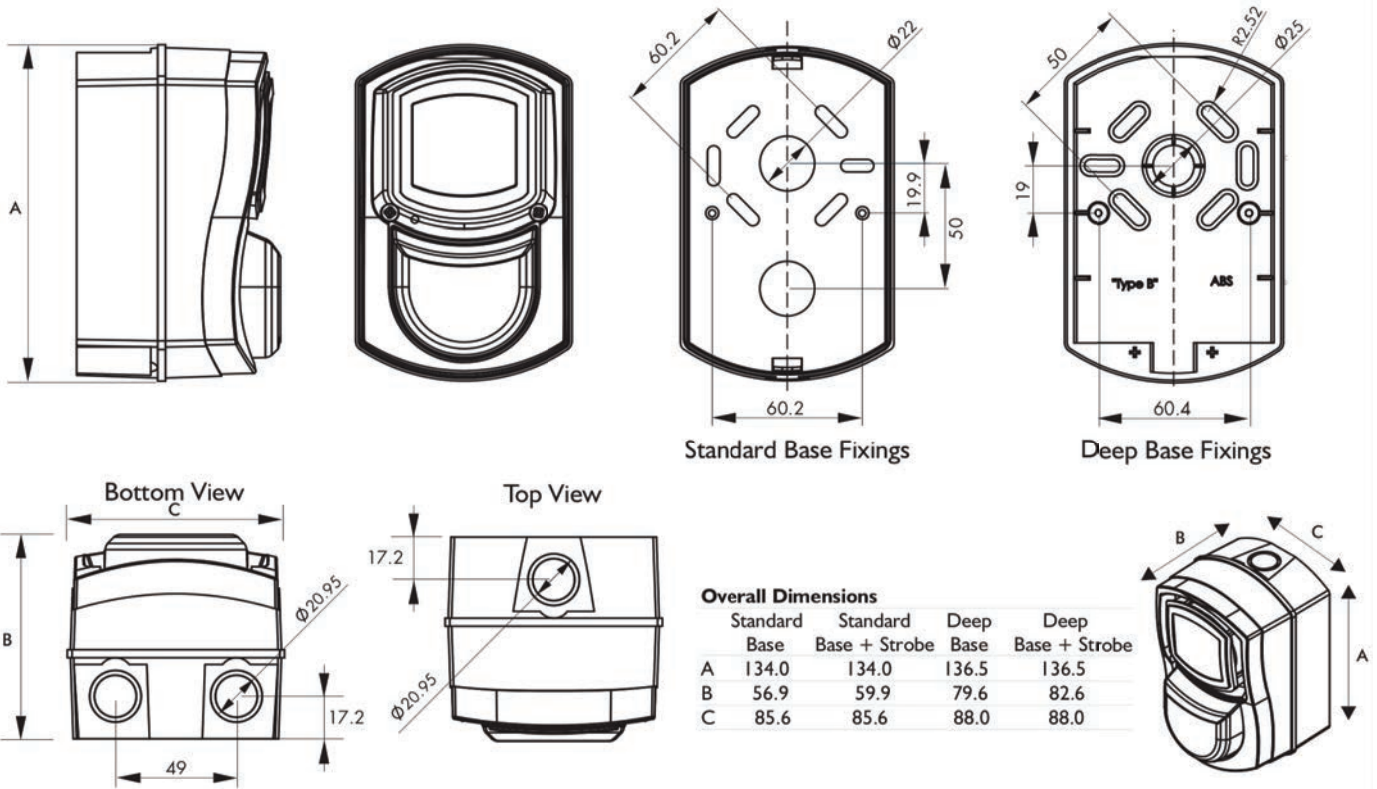
MESSAGE

“Fire emergency. Please remain calm and evacuate the building immediately”

FIRE-CRYER[®] SOLO

EN 54-3 APPROVED VOICE SOUNDERS

INSTALLATION



DS/FCSA/ISS 3

We reserve the right to change or amend any design or specification in line with our policy of continuing development and improvement.