

✕ 25 Year System Warranty

✕ Supports Gigabit Ethernet

✕ Choice of Colours

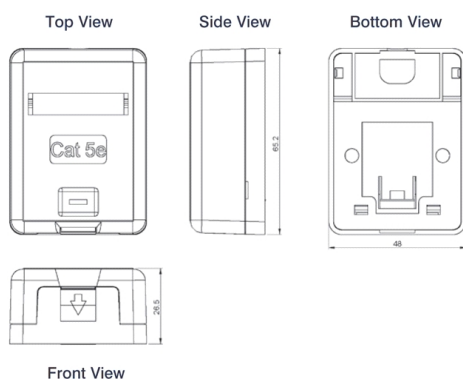
## Features

- 25 Year System Warranty
- Choice of Colours
- Provides convenient workstation outlet for Gigabit Ethernet applications
- Built in labelling field
- Lifetime Product Warranty
- Supports Gigabit Ethernet
- Category 5e compliant
- Available in a choice of port density
- Shuttered outlets as standard
- Supplied with cable ties and fixing kit
- No.2 cabling system by market share, as reported by BSRIA

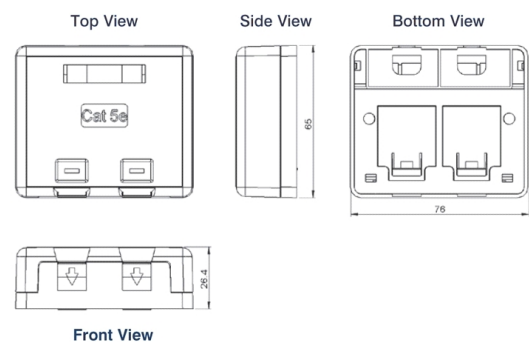
## Product Overview

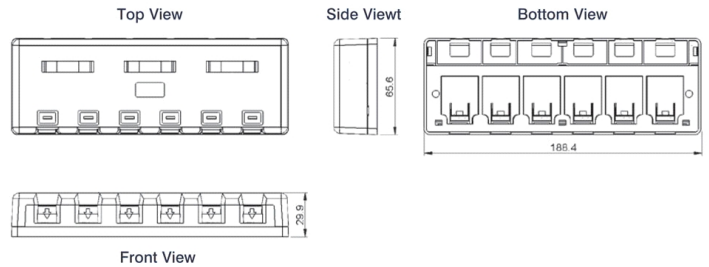
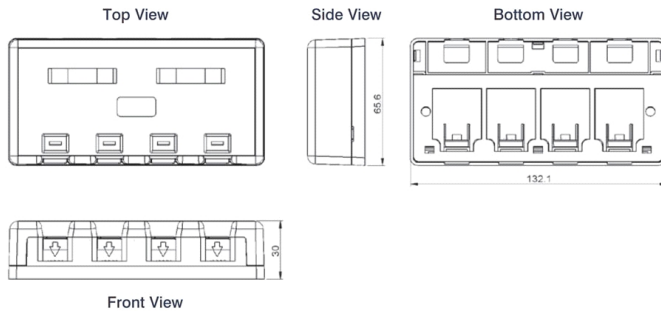
The new Excel Plus surface mount boxes can be used in a wide variety of applications and provide a quick and easy method of installing up to 6 outlets to work areas. These shuttered units can be installed in desk clusters, beneath retail counters, under floors or wall mounted. They are also ideal for temporary or emergency installations.

1 Port version



2 Port version





## Performance Overview

The Excel Plus surface mount boxes are manufactured and tested to the current Category 5 enhanced standards as defined by the TIA and ISO standards' bodies. Swept frequency tests are applied to each critical performance characteristic, such as near end cross talk (NEXT) and far end cross talk (FEXT). Both Worst Case and Power Sum Test methods are applied. Actual performance exceeds the required standard by a considerable margin ensuring sufficient headroom for even the most demanding applications.

## Performance / Specification Table

Specification:	Category 5e
Wiring Specification:	T568A & T568B
Dimensions: 1 Port	48mm wide x 26.2mm high x 65.2mm deep
2 Port:	76mm wide x 26.1mm high x 65mm deep
4 Port:	132.1mm wide x 29.8mm high x 65.6mm deep
6 Port:	188.4mm wide x 29.7mm high x 65.6mm deep
Installation Recommendation:	Suits any open office or compact office environment
RJ45 Jack:	Min. life 750 insertions
RJ45 Jack:	50 Microinch Gold Plated contact pins
IDC Contacts:	Suitable for 110 compatible tooling. Maximum 200 reterminations
IDC Compatibility:	Accommodates 22-26 AWG Solid and 24 AWG Stranded Conductor
NEXT at 100MHz	Category 5e 40.3dB @100MHz (Power Sum)
FEXT at 100MHz	Category 5e 31.7dB @100MHz (Power Sum)
Box Material:	ABS High-impact UL94V-0 Thermoplastic
Operating Temperature Range:	-10 °C to 60 °C
Storage Temperature Range:	-40 °C to 68 °C

## Typical Applications

■ 10Base-T Ethernet ■ 100BASE-TX Fast Ethernet ■ 1000BASE-T Gigabit Ethernet ■ 155 Mbps ATM ■ 622 Mbps ATM ■ Token Ring

## Part Number Information

Part No.	Description
100-002	5e Plus Surface Mount Box - 1 Port - White
100-003	Category 5e Plus Surface Mount Box - 2 Port - White
100-004	Category 5e Plus Surface Mount Box - 4 Port - White
100-005	Category 5e Plus Surface Mount Box - 6 Port - White

## System Warranty

The Excel System Warranty provides a 25-year product and applications assurance of compliance with the industry performance standard appropriate to the class of cabling installed. The warranty may be applied for by an accredited Excel Partner who has designed, supplied and installed the said system.



Excel is a world-class premium performing end-to-end infrastructure solution - designed, manufactured, supported and delivered - without compromise.

Contact us at [sales@excel-networking.com](mailto:sales@excel-networking.com)

**excel**  
without compromise.